

Acacia Evolution

Towel Ring

FFAS1390-908500BC0



FEATURES

- Simple design
- Zinc die casting base, cast brass ring
- SUS304 screw
- Black box packaging

SPECIFICATIONS

- Towel Ring
- Chrome Finish

FINISHES AVAILABILITY

- Chrome (- CP)

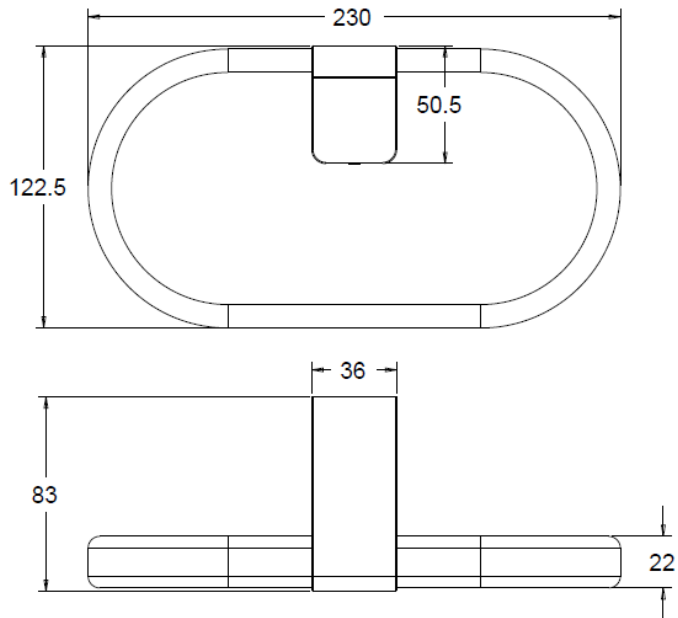
SHIPPING WEIGHT

- Net Weight: 0.5 KG
- Gross Weight: 0.56 KG

STANDARDS CRITERIA

- QB/T 1560-2006

DIMENSIONAL DRAWING



This document is the property of American Standard. It can neither be reproduced, nor communicated, without authorization.

American Standard reserves the right to change dimensions and specifications without notice; we assume no liability for the use of obsolete dimensions.