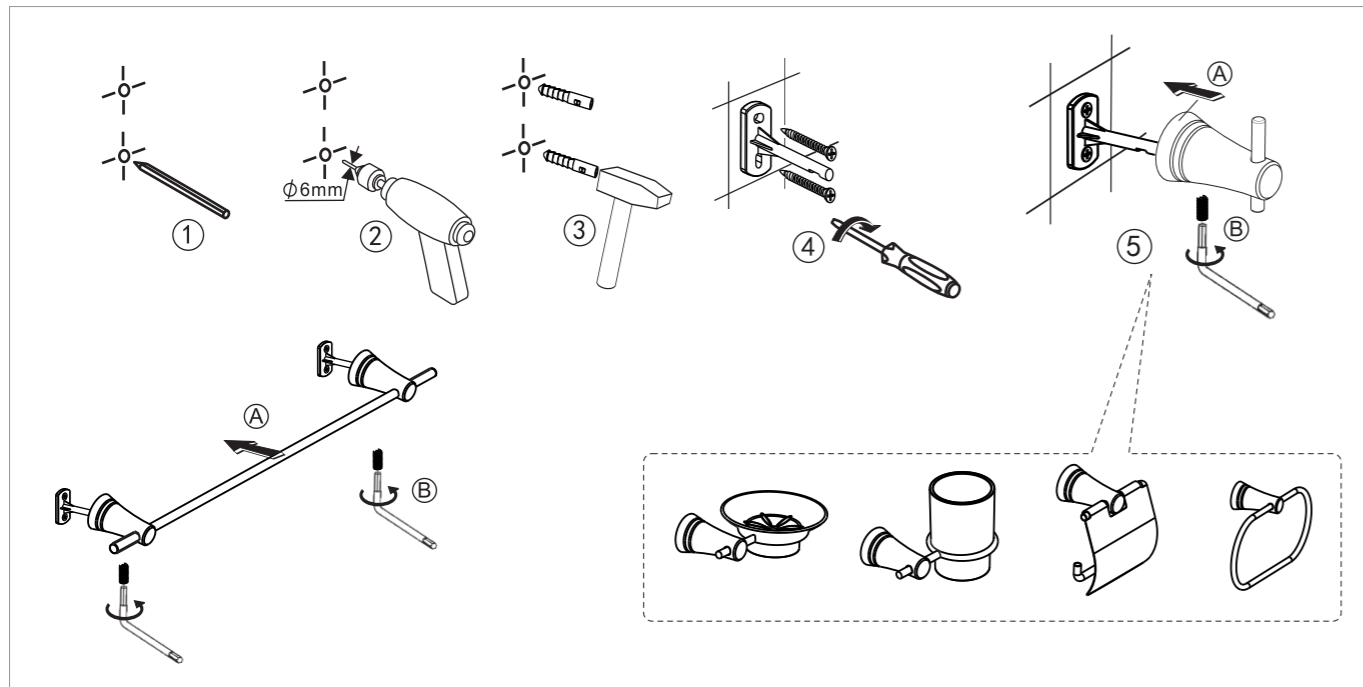
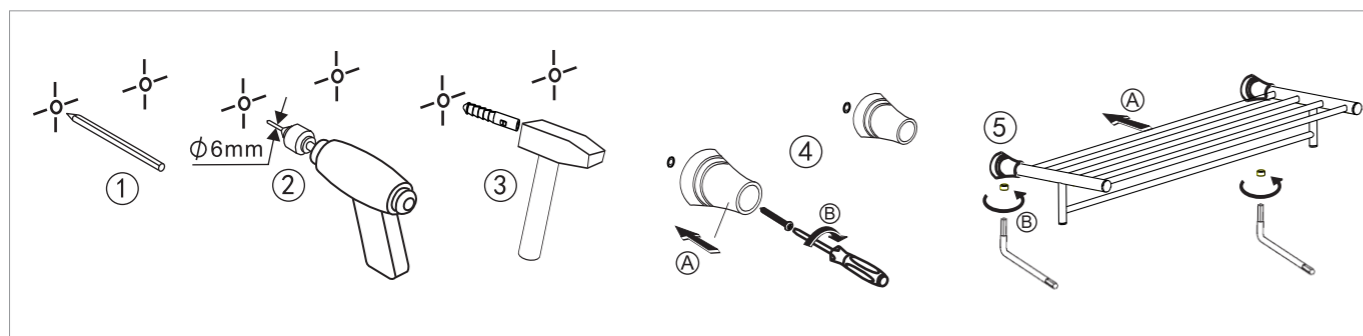


Install

1 Install (6581 / 6582 / 6583 / 6586 / 6588 / 6590)



2 Install (6589)



Care & Maintenance

- ⚠** Please don't put heavy things on top to ensure the enduring safety of the hanger.
(the enduring limit should be within 5 kgs)

Warm Tips

Please pay attention to below when you clean the faucet.

1. Do not use any acid cleanser.
2. Do not use any abrasive cleanser.
3. Do not use any abrasive tool such as emery cloth or metal wire.

Maintenance Instruction on Faucet Surface

1. Rinse the surface faucet with clean water first, then dry it with soft cotton cloth.
2. If there is some surface dirt and film which is difficult to clean, please use litmusless or alkaline cleanser to clean them (recommended PH value is 7-9). Then rinse it with clean water and dry it with soft cotton cloth.

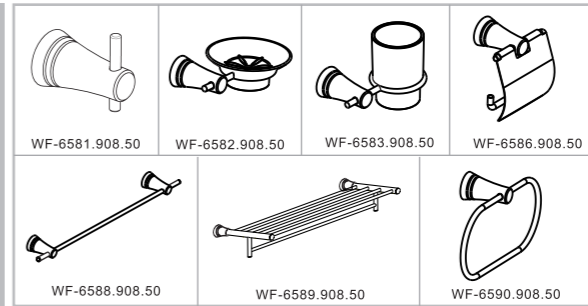
* The user need to take the responsibility for any damage caused by improper maintenance and clean.



Attention Installer:
Leave this information to the customer
after installation is complete

Seva

FFAS6581-90850BF0(WF-6581.908.50) Robe Hook
FFAS6582-90850BF0(WF-6582.908.50) Soap Dish
FFAS6583-90850BF0(WF-6583.908.50) Glass Holder
FFAS6586-90850BF0(WF-6586.908.50)
Tissue Holder with cover
FFAS6588-90850BF0(WF-6588.908.50) Towel Bar
FFAS6589-90850BF0(WF-6589.908.50) Towel Shelf
FFAS6590-90850BF0(WF-6590.908.50) Towel Ring



American Standard

Installation & Operation Instructions

Thank you for selecting American-Standard - the benchmark of fine quality for over 100 years.
To ensure that your installation proceeds smoothly--please read these instructions carefully before you begin.

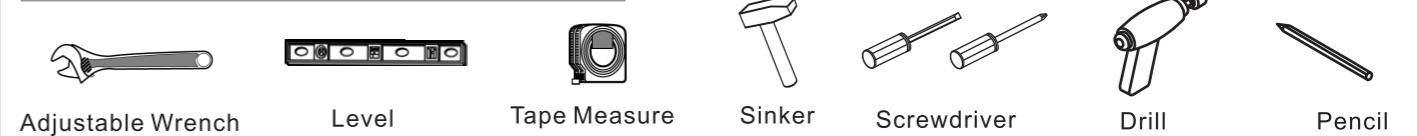
- * American Standard always keep raising and improving the product design and performance, and reserve the right to modify the dimension and specification. At this case, we will not inform you separately.
 - * This installation instruction sheet is for your reference only, the dimension and specification is subject to the actual products.
- All instruction procedures must comply in strict accordance with applicable local plumbing and building codes

Pre-Installation Checks

- * Before assembling, please make sure the drilled position in the assembling part is safe.
- * Check installation distances in the Dimension diagram to ensure correct installation.

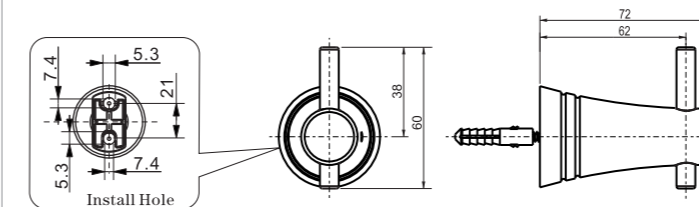
Mark: Please hold the body during assembling to avoid damage on the product.

Recommended Tools and Materials

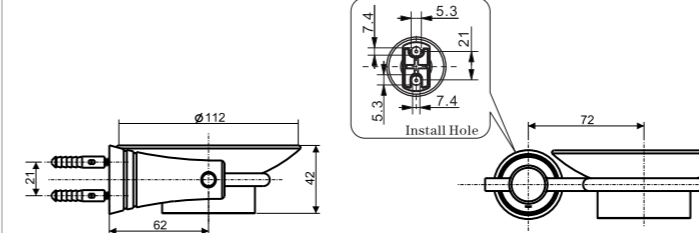


Dimension

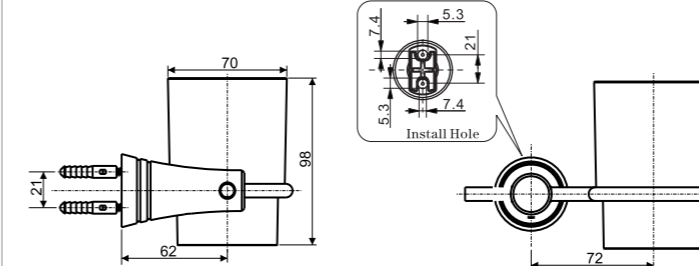
WF-6581.908.50



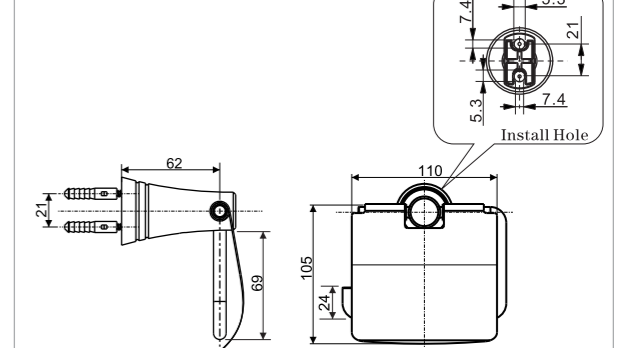
WF-6582.908.50



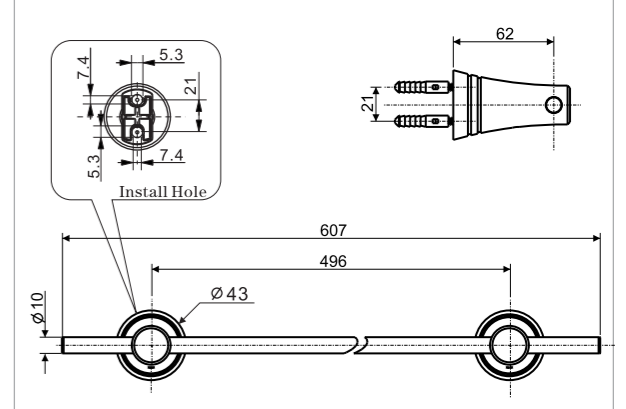
WF-6583.908.50



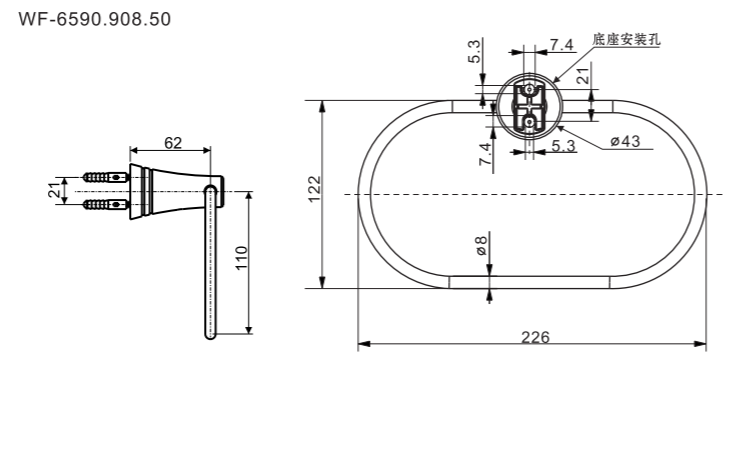
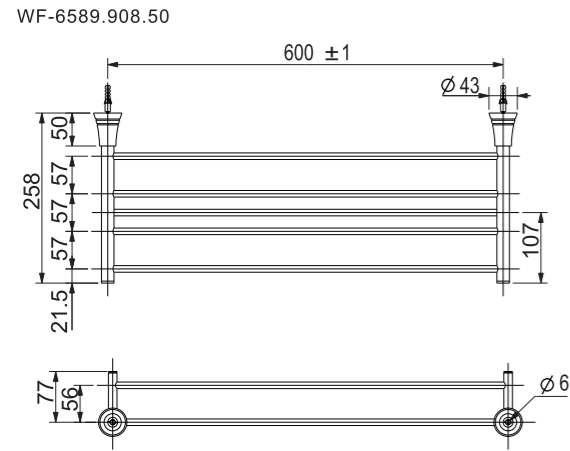
WF-6586.908.50



WF-6588.908.50



Dimension

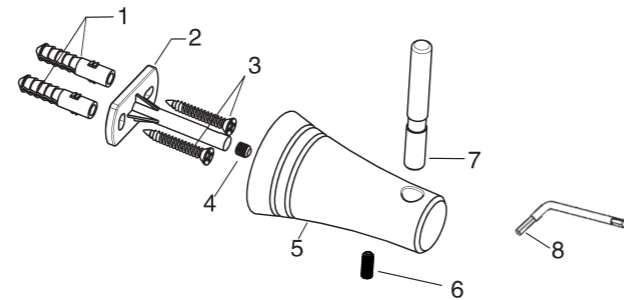


Parts List

WF-6581.908.50

Parts List

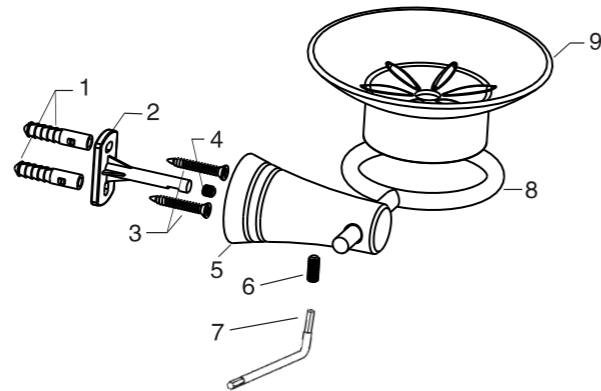
No.	Parts Name	Q'ty
1	Anchor	2
2	Bracket	1
3	Screw	2
4	Screw	1
5	Body	1
6	Screw	1
7	Bar	1
8	Wrench	1



WF-6582.908.50

Parts List

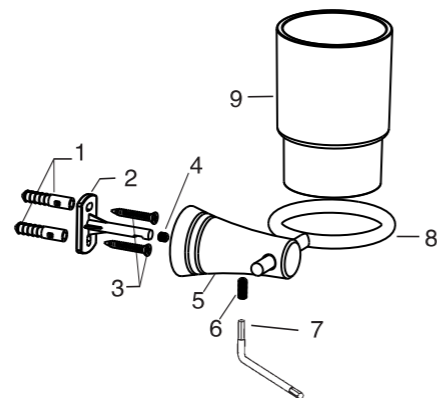
No.	Parts Name	Q'ty
1	Anchor	2
2	Bracket	1
3	Screw	2
4	Screw	1
5	Body	1
6	Screw	1
7	Wrench	1
8	Holder	1
9	Soap Dish	1



WF-6583.908.50

Parts List

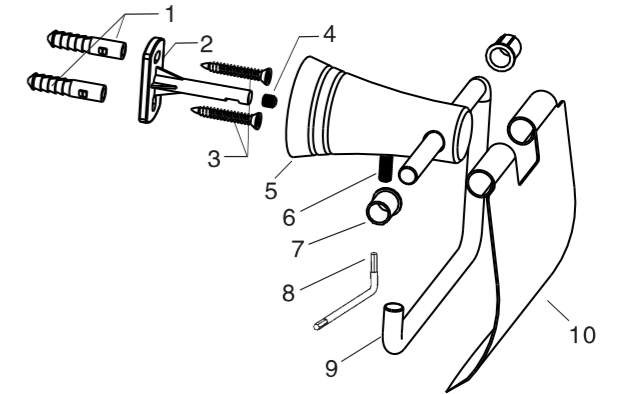
No.	Parts Name	Q'ty
1	Anchor	2
2	Bracket	1
3	Screw	2
4	Screw	1
5	Body	1
6	Screw	1
7	Wrench	1
8	Holder	1
9	Cup	1



WF-6586.908.50

Parts List

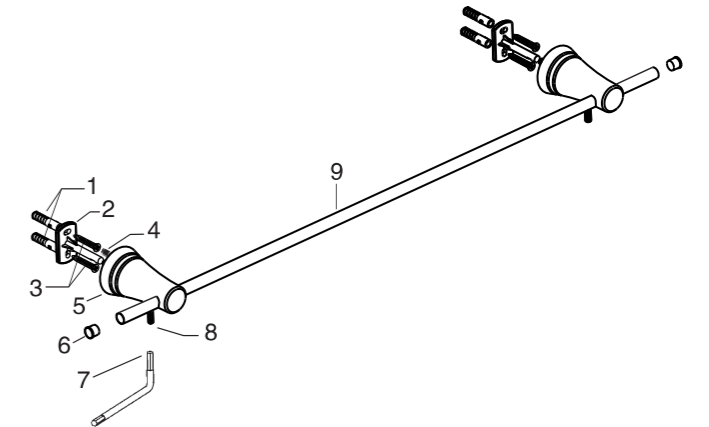
No.	Parts Name	Q'ty
1	Anchor	2
2	Bracket	1
3	Screw	2
4	Screw	1
5	Body	1
6	Screw	1
7	Ring	2
8	Wrench	1
9	Bar	1
10	Cap	1



WF-6588.908.50

Parts List

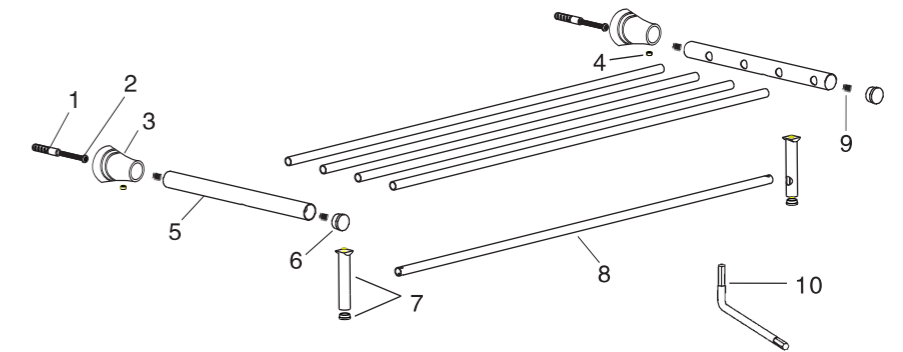
No.	Parts Name	Q'ty
1	Anchor	4
2	Bracket	2
3	Screw	4
4	Screw	2
5	Body	2
6	Cap	2
7	Wrench	1
8	Screw	2
9	Bar	1



WF-6589.908.50

Parts List

No.	Parts Name	Q'ty
1	Anchor	2
2	Screw	2
3	Body	2
4	Screw	2
5	Bar	2
6	Cap	2
7	Bar	2
8	Bar	5
9	Screw	4
10	Wrench	1



WF-6590.908.50

Parts List

No.	Parts Name	Q'ty
1	Anchor	2
2	Bracket	1
3	Screw	2
4	Screw	1
5	Body	1
6	Screw	1
7	Wrench	1
8	Bar	1

