

## Concept Round

---

Vertical Paper Holder  
FFAS1488-908500BC0



### FEATURES

- Modern design
- Zinc die casting base & pole
- SUS201 rod
- SUS304 board, polish finish
- SUS201 screw
- Black window box packaging

### SPECIFICATIONS

- Vertical Paper Holder
- Chrome Finish

### FINISHES AVAILABILITY

- Chrome (- CP)

### SHIPPING WEIGHT

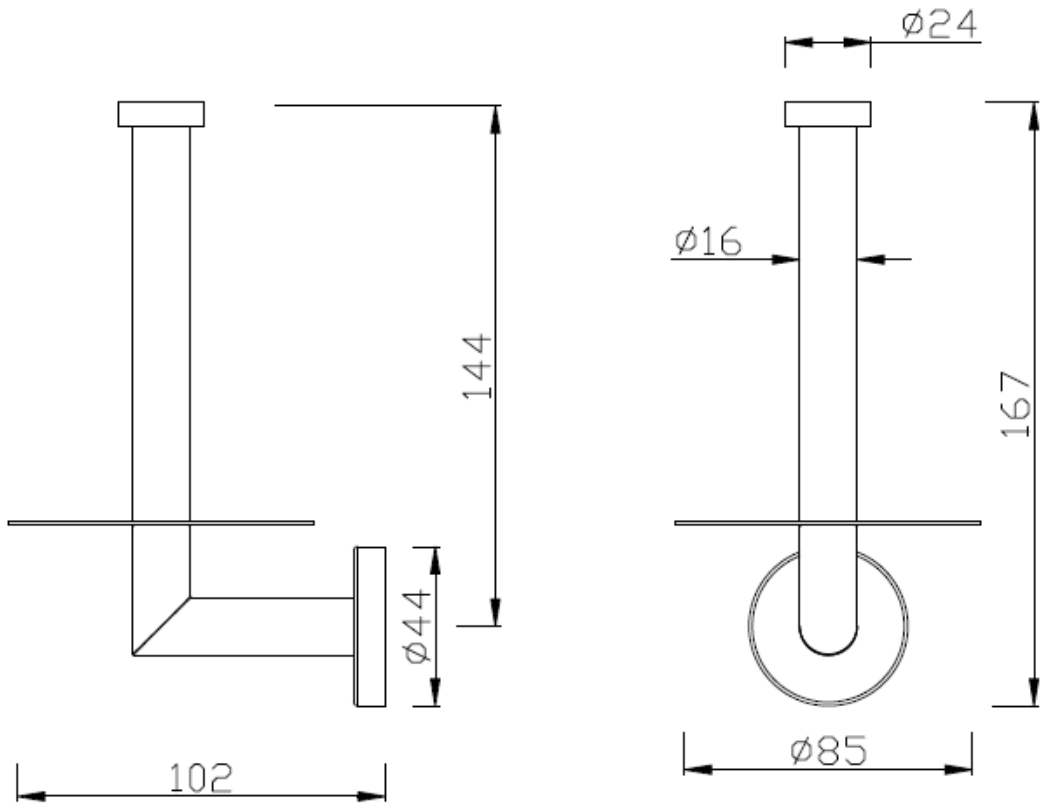
- Net Weight: 0.5 KG
- Gross Weight: 0.525 KG

### STANDARDS CRITERIA

- QB/T 1560-2006

# American Standard

## DIMENSIONAL DRAWING



This document is the property of American Standard. It can neither be reproduced, nor communicated, without authorization.

American Standard reserves the right to change dimensions and specifications without notice; we assume no liability for the use of obsolete dimensions.