

Concept Round

Towel Shelf

FFAS1495-908500BC0



FEATURES

- Modern design
- Zinc die casting base & pole
- SUS201 cross bar
- SUS201 screw
- Black window box packaging

SPECIFICATIONS

- Towel Shelf
- Chrome Finish

FINISHES AVAILABILITY

- Chrome (- CP)

SHIPPING WEIGHT

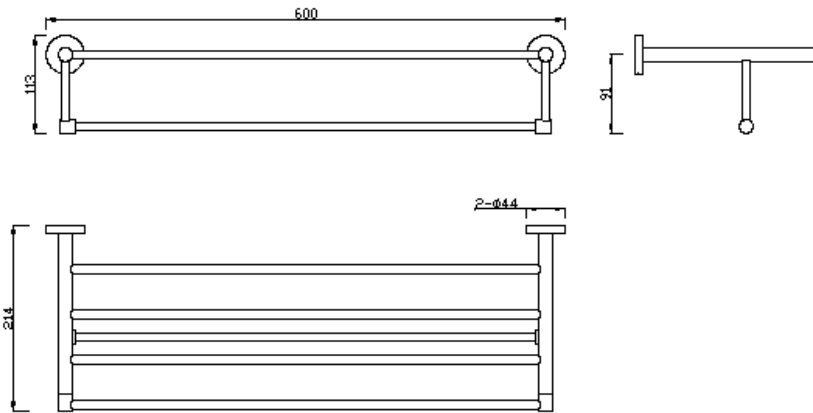
- Net Weight: 1.77 KG
- Gross Weight: 1.79 KG

STANDARDS CRITERIA

- QB/T 1560-2006

American Standard

DIMENSIONAL DRAWING



This document is the property of American Standard. It can neither be reproduced, nor communicated, without authorization.

American Standard reserves the right to change dimensions and specifications without notice; we assume no liability for the use of obsolete dimensions.