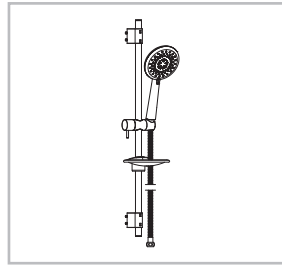
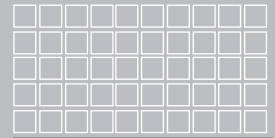


F40015-CHADY(M50081+P71800+H25179)
Slide bar with soap dish & Hand shower



American Standard



Installation &
Operation Instructions

Thank you for selecting American-Standard - the benchmark of fine quality for over 100 years.
To ensure that your installation proceeds smoothly--please read these instructions carefully before you begin.

* American Standard always keep raising and improving the product design and performance, and reserve the right to modify the dimension and specification. At this case, we will not inform you separately.

* This installation instruction sheet is for your reference only, the dimension and specification is subject to the actual products.

All instruction procedures must comply in strict accordance with applicable local plumbing and building codes

Pre-Installation Checks

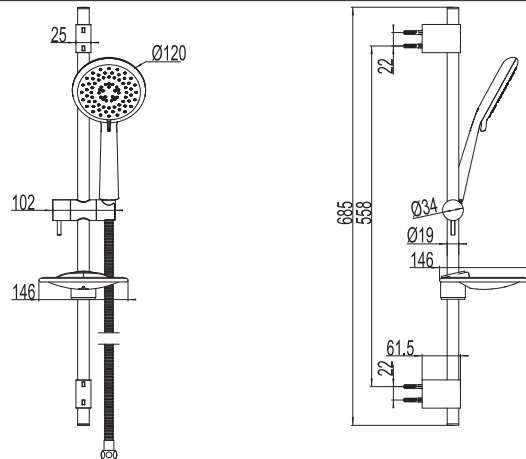
- *Remove all impurity in pipes before beginning to avoid clogging. Connect faucet pipes correctly.
- * Check installation distances in the Dimension diagram to ensure correct installation.

Conditions for use

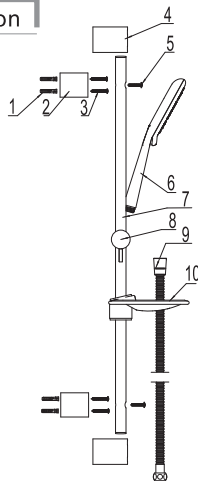
- * Recommended water pressure condition: 0.1~0.5Mpa.
- * Environment Temperature:1~55°C
- * Steam is not allowed.

When in the process of installation, Please grab the body. Do not grab handle only.

Dimension



Installation



Parts List

No.	Part Name
1	Expansion Pipe
2	Bracket
3	Tapping Screw
4	Bracket Cover
5	Tapping Screw
6	Hand Shower
7	Brass Tube
8	Slider
9	Hose
10	Soap Dish

Tools Required (Not supplied)
Cross-Screw Driver, Pencil, Power Drill
Diameter Drill Bit, Cross-head Screwdriver,
Safety Glasses

Preprocess

- 1、 Use the pencil to mark the hole of Bracket (2) on the wall, please make sure the position of the shower set is located in a comfortable and appropriate area for all members of the family, particularly on the height of the overhead shower. Meanwhile, make sure the hose could reach the most top and bottom of the brass tube (7), and the distance between two holes is 558mm (others please according to the height).
- 2、 Drill the holes with Power Drill at proper depth, and then insert the Expansion Pipe (1) into the hole.
- 3、 Use Cross-Screw Driver and tapping screw (3) to install the Bracket (2) to the wall.
- 4、 According the drawing to install the slider component (8), soap dish (10) to the brass tube (7) step by step.
- 5、 Use Cross-Screw Driver and tapping screw (5) to install the brass tube to the bracket. Please make sure slider and soap dish should face up.
- 6、 Install the Bracket Cover (4) to the brass tube and then install to the bracket.

Care & Maintenance

Beware of scalding from hot water. It is recommended to turn on the cold water first.
Do not use chemicals and other corrosive detergent to clean the shower set.
Always use a non-abrasive bathroom cleaner and a soft cloth to clean it

Attention Installer:
Leave this information the customer
after installation is complete