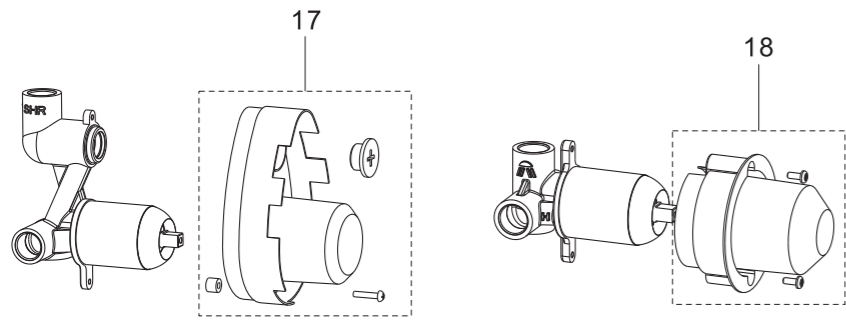
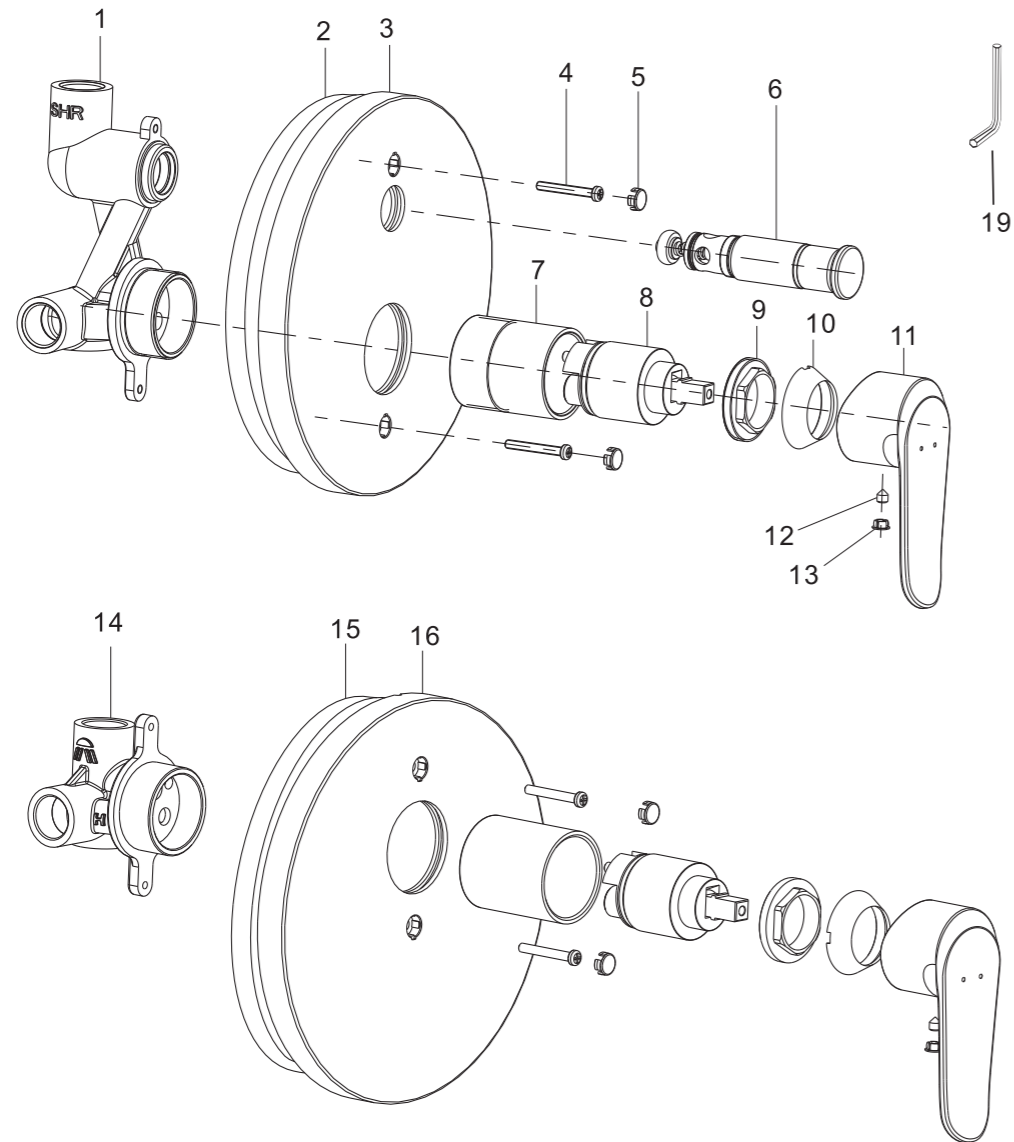


Parts List

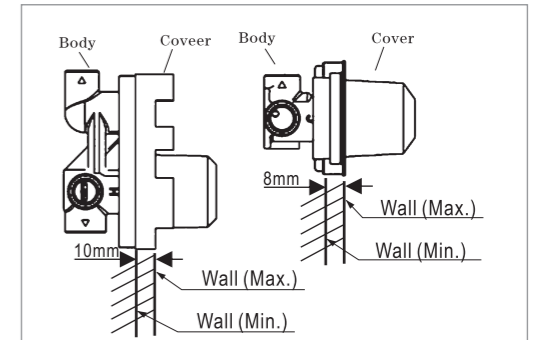
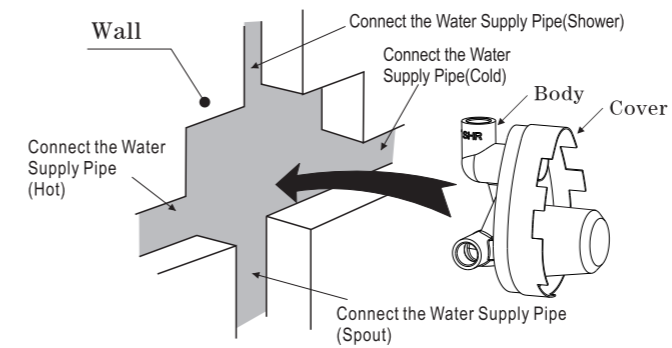


Parts List			
No.	Part Name	Q'ty	
FFAS0721 / FFAS0722			
1	Body	1	0
2	Washer	1	0
3	Escutcheon	1	0
4	Screw	2	2
5	Cap	2	2
6	Diverter Valve	1	0
7	Pipe	1	1
8	Cartridge	1	1
9	Nut	1	1
10	Cap	1	1
11	Handle	1	1
12	Screw	1	1
13	Index Button	1	1
14	Body	0	1
15	Washer	0	1
16	Escutcheon	0	1
17	Cover (0721)	1	0
18	Cover (0722)	0	1
19	In-hex Wrench	1	1



Installation

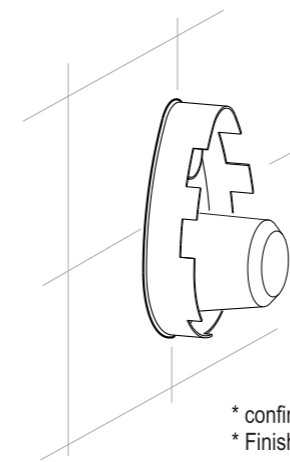
1 Installing Body



* Finishing wall should be between the minimum and the maximum.

* Consult the dimension drawing and lay the pipes.
* Before installation, Wash and clean the water supply pipes.

2 Finish Wall



* confirm there is no leakage in every connection.
* Finish the Wall

3 Installing Escutcheon & Handle

