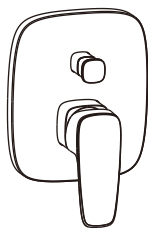


To ensure that your installation proceeds smoothly, please read this instructions carefully before you begin.

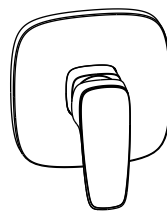
American Standard

Signature

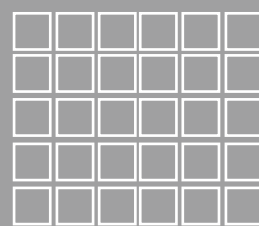
FFAS1721-609500ZNO
SIGNATURE BATH/SHOWER MIXER
1097780000
SIGNATURE SHOWER MIXER



FFAS1721-609500ZNO



1097780000

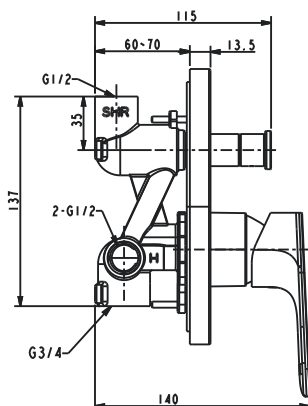
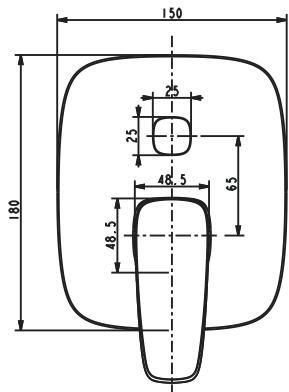


Installation & Operation Instruction

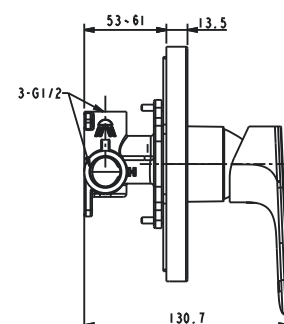
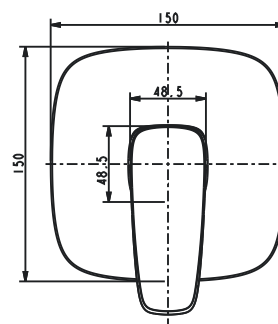
Dimension

Unit: mm

FFAS1721-609500ZNO

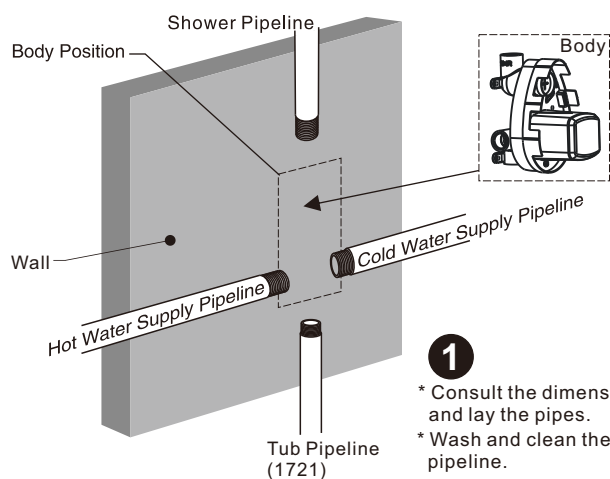


1097780000

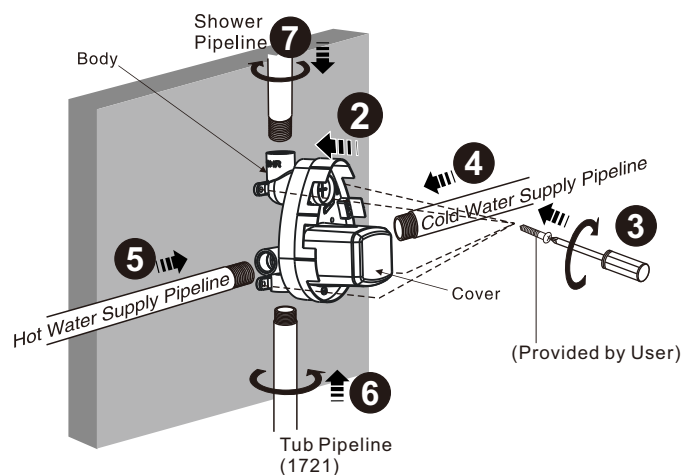


Installation

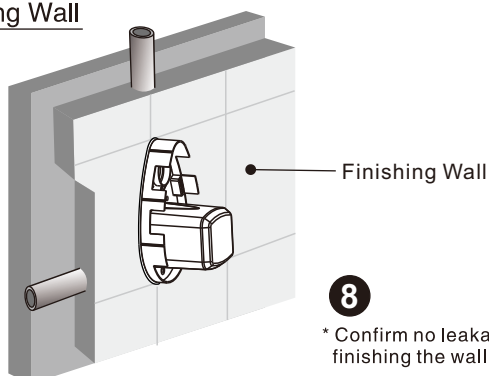
1 Body Installation



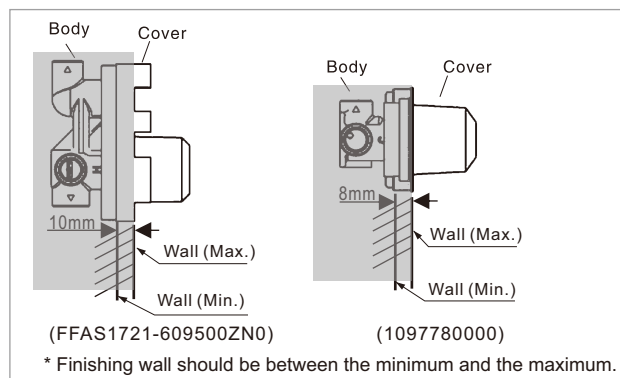
- 1 * Consult the dimension drawing and lay the pipes.
* Wash and clean the water supply pipeline.



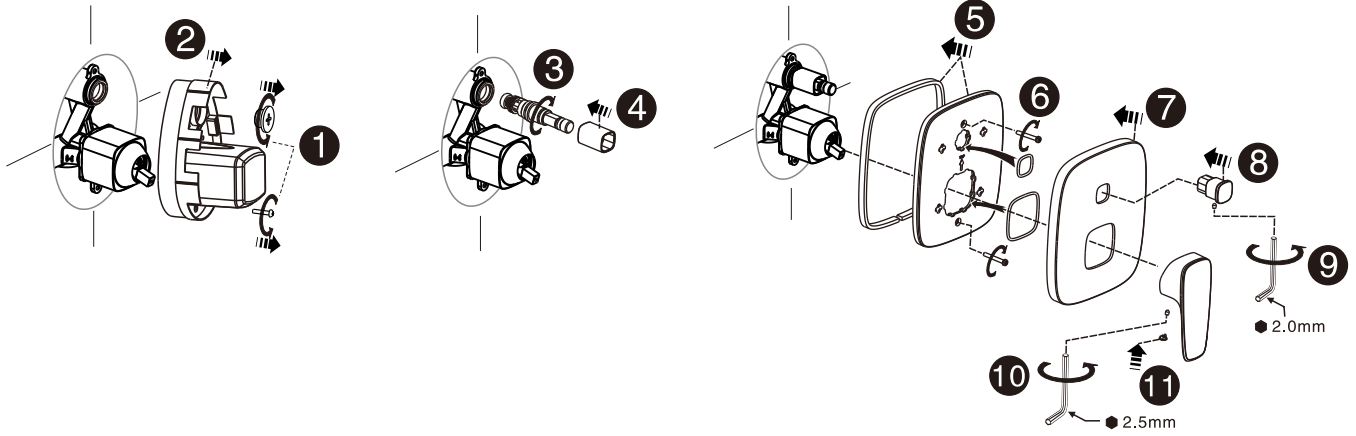
2 Finishing Wall



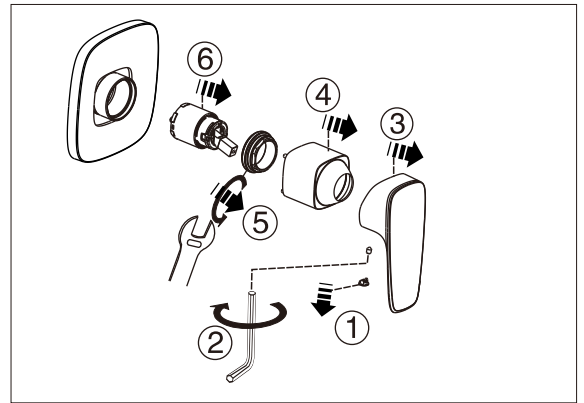
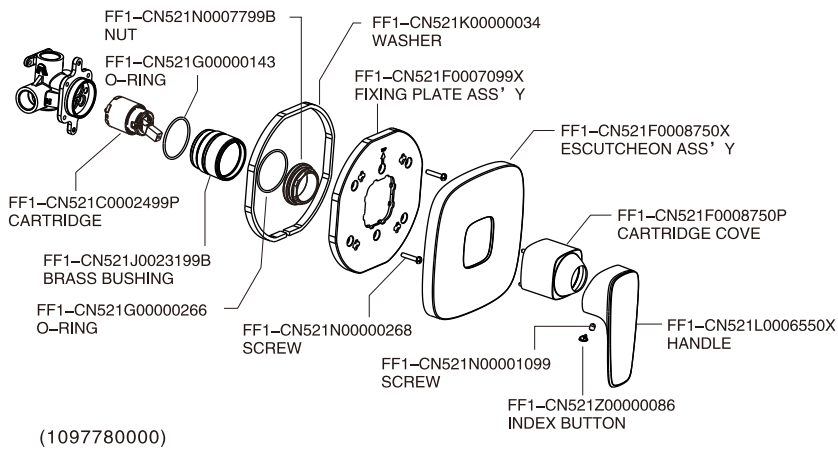
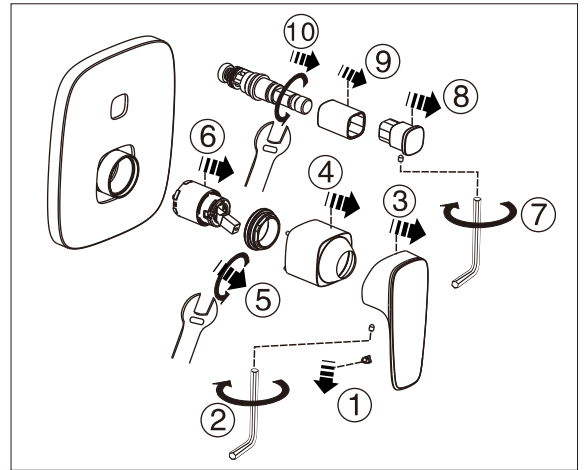
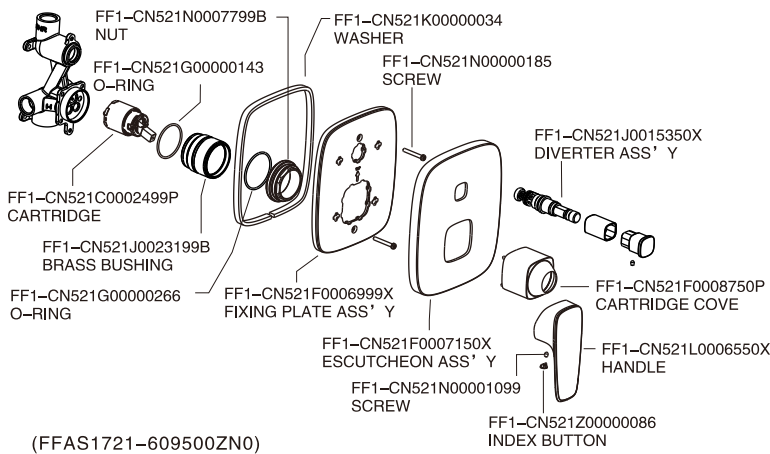
- 8 * Confirm no leakage, finishing the wall



3 Escutcheon & Lever Installation



Parts List



Notice

- * Remove all impurities in pipes before beginning to avoid clogging. Connect faucet pipes correctly.
- * Check installation distances in the Dimension diagram to ensure correct installation.

Conditions for use

- * Water pressure condition: 0.05~0.75MPa (Recommended water pressure condition: 0.1~0.5MPa)
(When exceed 0.5MPa, it is strongly advised to fit pressure limiting valve)
- * Ambient temperature: 1~55°C
- * Water temperature: 4°C ~ 90°C (Recommended hot water temperature 50~60°C)
- * Steam should not be used with product.
- * Note: Ensure water source is clean. Poor water quality can cause cartridge and internal components to clog, resulting in poor volume control and/ or product failure.