

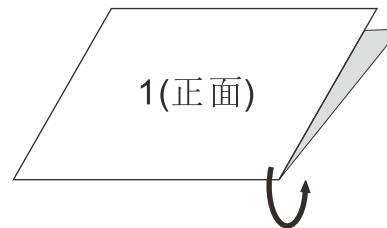
2020年4月30日

A/O

Tolerance, Unless Otherwise Stated. Is	
Above 0.5 to and including 6	±0.1
Excess 6 to and including 30	±0.2
Excess 30 to and including 120	±0.3
Excess 120 to and including 315	±0.5
Excess 315 to and including 1000	±0.8
Excess 1000 to and including 2000	±1.2



1. 说明书双面印刷完成  
(297x210=A4) 共1张



2. 说明书折叠完成

制作说明:

1. 说明书完成的尺寸: 148\*210
2. 材料: 80克的白色纸
3. 印刷说明: 说明书为297x210(A4) 双面印刷, 并折叠成148x210大小完成(详看图示)
4. 印刷颜色: 黑白
5. 印刷时, 内容准确, 清晰, 墨色均匀, 表面清洁。

FFAST823-109500XX0  
EasyFLO Basin Mono  
FFAST823-109090XX0  
EasyFLO Basin Mono (Glossy White)  
FFAST823-109440XX0  
EasyFLO Basin Mono (Matt Black)

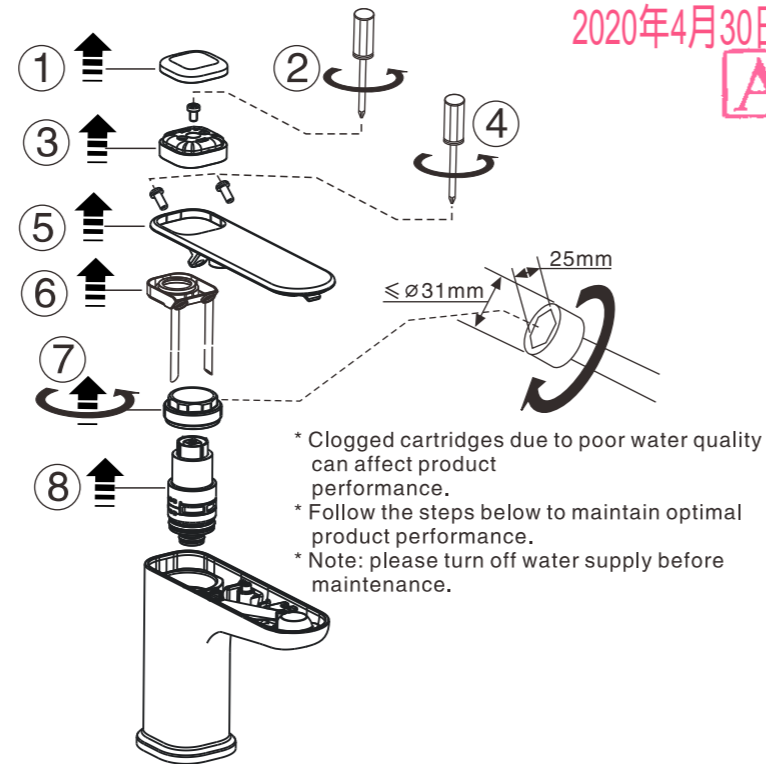
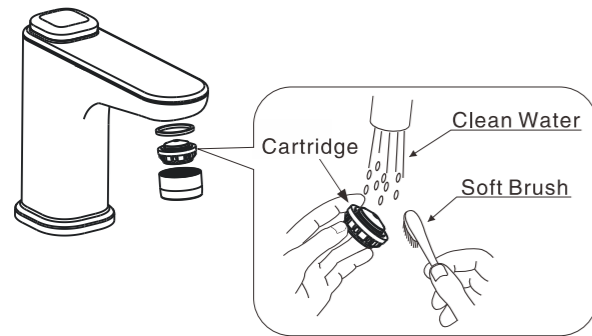
DESIGN	黄卓桓	2020.03.11	TITLE	Instructions  英文说明书
CHECKED	利华次	20200311	REF	
APPROVED	郭年忠	2020.3.11.		
SCALE	MATERIAL	WEIGHT	DWG NO.	American Standard
REV	DESCRIPTION	DATE	NAME	

## Trouble Shooting Guide

Issue	Component	Checkpoint	Corrective Action
Poor flow rate	Aerator	Check if aerator is clogged	Remove all impurities
	Water supply valve	Check lever position	Lift lever to maximise water volume
	Hose	Check if hose is twisted	Untwist the hose
Leakage	Cartridge	Check if cartridge is loosened	Fasten or replace cartridge
	Connection joints	Check the connection	Reassemble connecting part

## Care & Maintenance

- \* Clogged aerator due to poor water quality can lead to reduced water flow.
- \* Follow the steps below to clean aerator to ensure optimal performance.

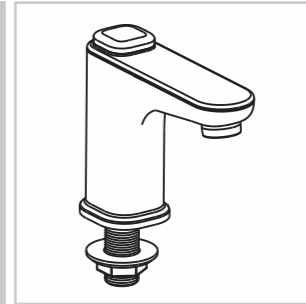


## EasyFLO

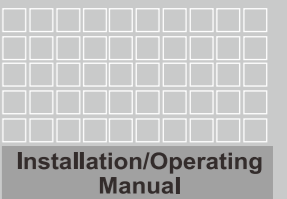
FFAST823-109500XX0  
EasyFLO Basin Mono

FFAST823-109090XX0  
EasyFLO Basin Mono (Glossy White)

FFAST823-109440XX0  
EasyFLO Basin Mono (Matt Black)



American Standard



Thank you for selecting American Standard, the benchmark of fine quality for over 100 years.

To ensure that your installation proceeds smoothly, please read these instructions carefully before you begin.

\* American Standard continually improves our product design and performance. American Standard reserves the right to modify the dimensions and specifications of our product accordingly without any prior notification.

\* Actual dimensions and specifications may vary, refer to physical product for exact dimensions and specifications.

## Pre-Installation Checks

- \* Remove all impurities in pipes before beginning installation, to avoid clogging. Connect the faucet pipes correctly.
- \* Check installation distances shown in the dimension diagram to ensure correct installation.

## Conditions for use

\* Water pressure condition: 0.05~0.75MPa (Recommended water pressure condition: 0.1~0.5MPa)

\* Ambient temperature: 1~55°C

\* Water temperature: 4°C ~ 49°C

\* Steam should not be used with the product

\* Note: Ensure water source is clean. Poor water quality can cause the cartridge and internal components to clog, resulting in poor product performance.

## Recommended Tools and Materials



Adjustable Wrench



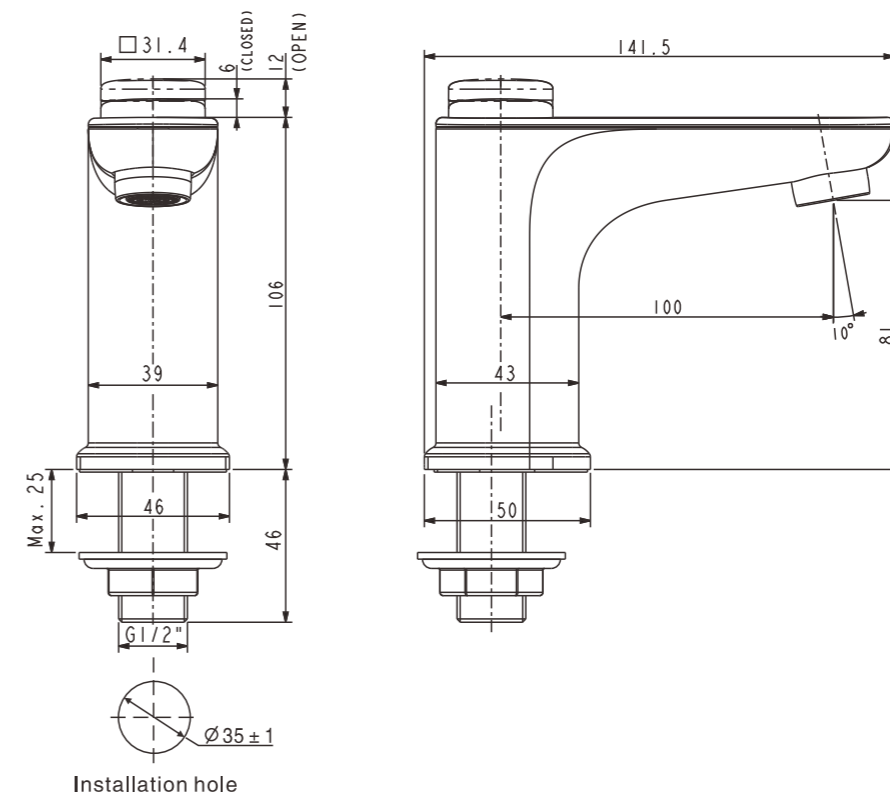
Tape Measure



Teflon Tape

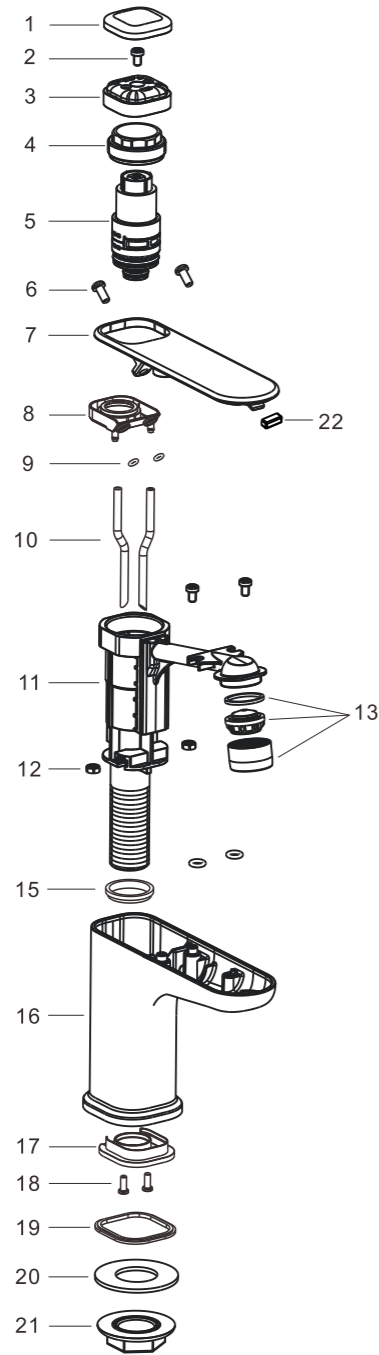
## Dimensions

Unit: mm



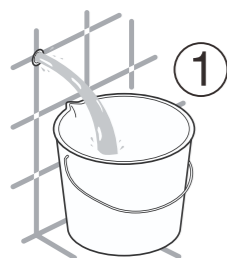
**Attention:**  
Please leave manual with customer post installation.

### Parts List

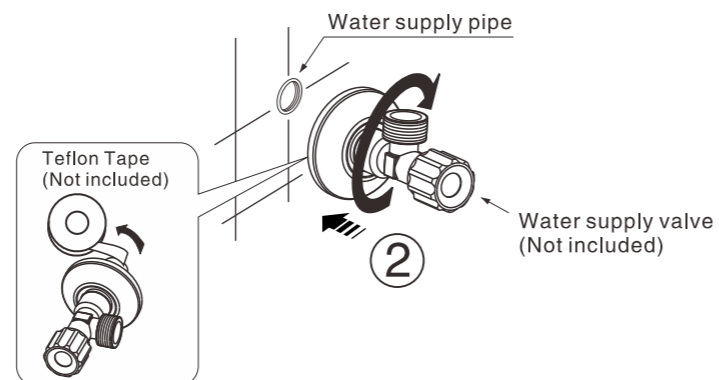


No.	Part Name	Q'ty
1	Button	1
2	Screw	3
3	Cap	1
4	Nut	1
5	Cartridge	1
6	Screw	2
7	Upper cover	1
8	Upper dish	1
9	O-Ring	2
10	Pipe	2
11	Manifold	1
12	Nut	2
13	Aerator	1
14	O-Ring	2
15	Washer	1
16	Body	1
17	Washer	1
18	Screw	2
19	Washer	1
20	Washer	1
21	Nut	1
22	Bushing	1

### Preparation

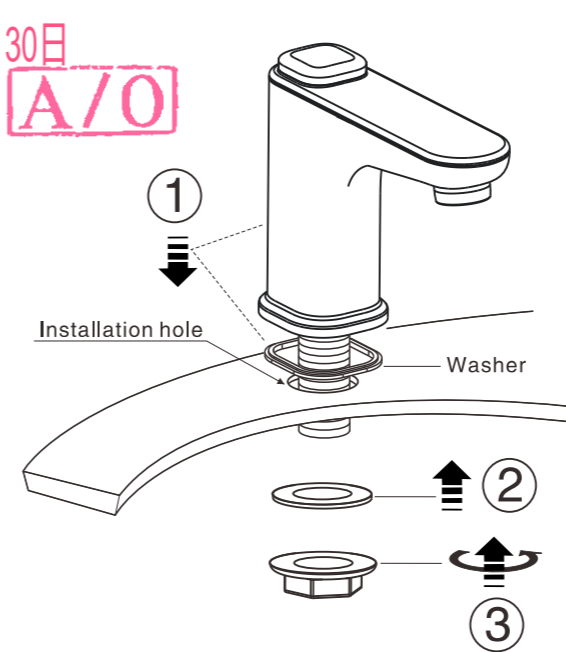


- \* Lay the pipe with reference to the dimension drawing.
- \* Before installation, ensure that the pipe is not clogged.

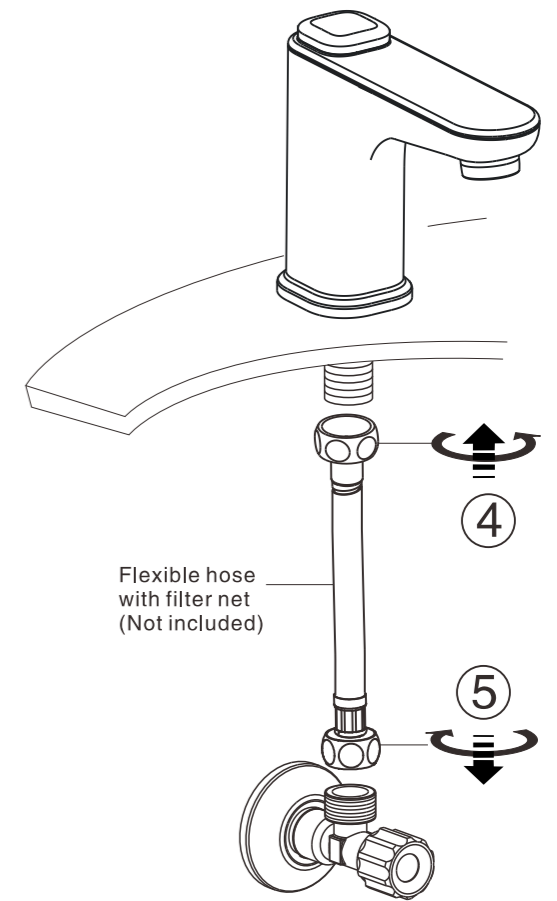


### Installation

#### 1 Body Installation



#### 2 Flexible Hose Connection



### Test / Usage

#### 1 Test

- \* Turn on water supply valve and check all connections for leakage.
- \* Turn on the faucet and check the flow of water.

#### 2 Usage

