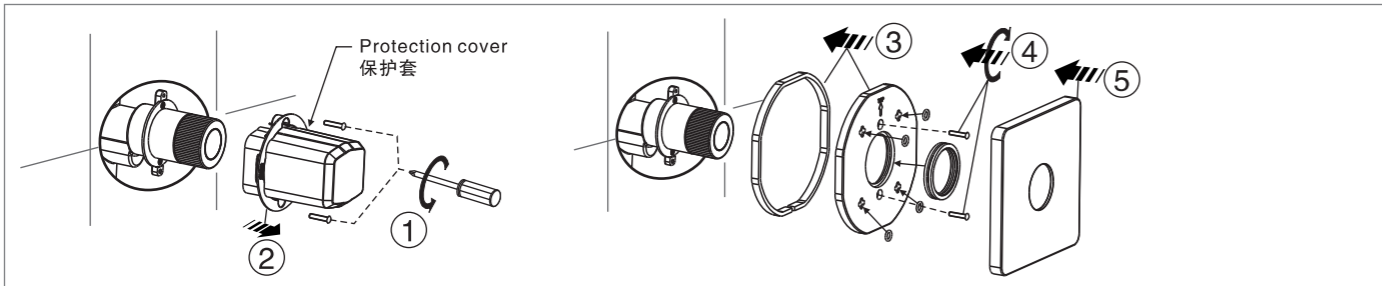


2 Installing the Escutcheon and Handle 安装孔罩和把手 (FFAS0925 / FFAS0926 / FFAS 0927 / FFAS0928)

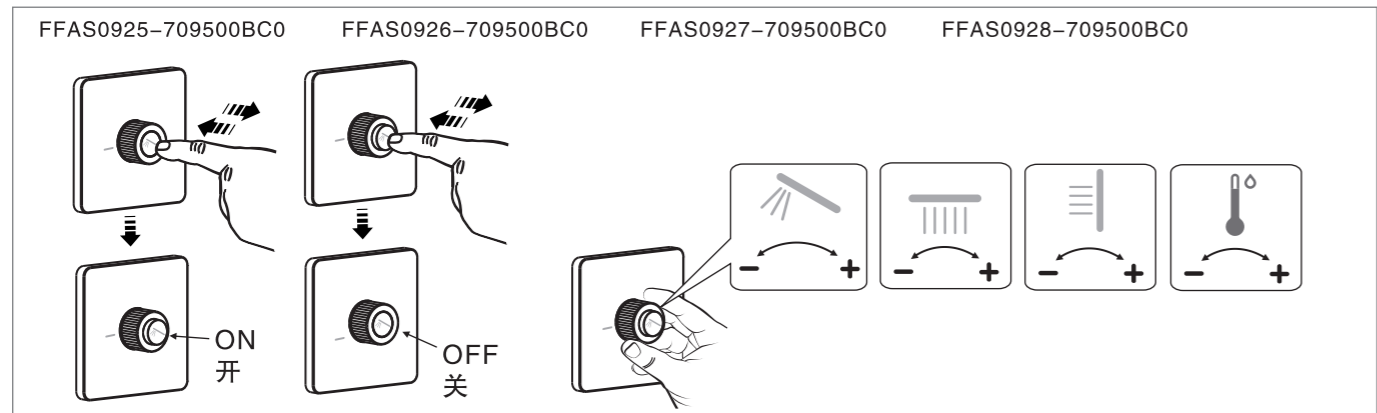


Test / Usage 测试/使用

1 Test 测试

- * Press handle to "OFF" position. Open water supply valve to check all connections for leakage;
- * Press handle to "ON" position. Check the water flow.
- * 将把手处在关的位置, 开启供水并检查各连接是否有渗漏;
- * 打开把手, 检查出水是否正常。

2 Usage 使用

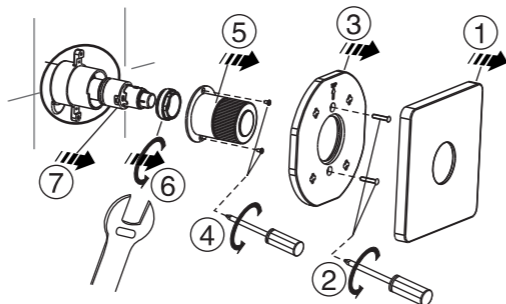


Trouble Shooting Guide 一般故障排除

Trouble 故障	Checkpoint 检查点	Contents 内容	Action 处理办法
Poor flow rate 流量小	Water supply valve 供水阀	Check valve position. 检查供水阀是否开得太小	Open it to full valve 开大供水阀
Leakage 漏水	Cartridge packing 阀芯	Check cartridge install. 检查阀芯是否被松开	When packing is damaged, replace the cartridge. 紧固好阀芯
Deviant Temperature 不正常水温	Supply Valve 供水阀	Check if the water from Supply valve is enough or not 检查供水阀是否开得太小	Increase water supply 开大供水阀
	Supply system 供水管路	Check if the supply pipe connected correct or not 检查进水管是否连接正确	Connect the hot and cold water pipe correctly 正确连接冷热供水管

Care & Maintenance 维护与保养

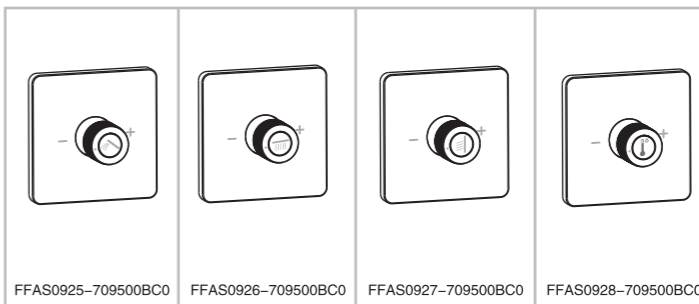
- * If you want to do the maintenance for the faucet, please follow the below process.
- * Before maintenance, please shut off the water supply system.
- * 如果需要对水嘴进行保养, 请参考步骤进行。
- * 维护前, 请先关闭供水系统。



Attention:
Please Leave the manual to the customer after installation is finished.

安装者注意:
安装完成后, 请将此说明书留给用户。

FFAS0925-709500BC0
EasySET for Hand Shower
易舒喜入墙控制阀 (手洒)
FFAS0926-709500BC0
EasySET for Head Shower
易舒喜入墙控制阀 (顶洒)
FFAS0927-709500BC0
EasySET for Body Shower
易舒喜入墙控制阀 (侧洒)
FFAS0928-709500BC0
EasySET for Pre-warming
易舒喜入墙控制阀 (一键启停)



American Standard

Installation & Operation Instructions
安装/使用说明书

Thank you for selecting American-Standard - the benchmark of high quality for over 100 years.

To ensure the installation proceeds smoothly--please read these instructions carefully before you begin.

* American Standard always keep raising and improving the product design and performance, and reserve the right to make changes in product characteristics, package, availability at any time without notice.

* This installation instruction sheet is for your reference only, the dimension and specification is subject to the actual products.

感谢您选购美标洁具—拥有百年优质水准的产品

为保证安装顺利, 请在进行安装前细阅以下指南

* 美标公司一贯奉行不断提高和改善其产品设计与性能的政策, 并保留对其产品规格更改的权力, 恕不另行通知。

* 本指南仅供安装和使用作参考, 产品以实物为准。

Pre-Installation Checks 安装前注意事项

* All instruction procedures must strictly comply with local plumbing and building codes regulations.

* Remove all impurity in pipes before beginning to avoid clogging. Connect faucet pipes correctly.

* Check installation distances in the Dimension diagram to ensure correct installation.

* 所有的安装程序必须严格遵从当地的卫浴和建筑法规条例。

* 安装控制阀之前, 请务必清理管中杂物, 以免造成堵塞; 控制阀与冷、热供水管必须连接正确。

* 参考尺寸图, 检查安装尺寸, 确保安装正确。

Conditions for use 使用条件:

* Recommended water pressure condition: (Dynamic Pressure) : 0.1Mpa-0.5Mpa (When exceed 0.5MPa, it is strongly advised to odd pressure reducing valve)

* Environment Temperature: 1~55°C

* Water temperature: 4°C ~ 90°C, Recommended temperature 55°C ~ 65°C

* The cold and hot water pipes must not be reserved. Steam is not allowed to use.

* 建议水压 (动态水压) : 0.1~0.5MPa(兆帕), 超过0.5MPa(兆帕)时, 需加装减压阀

* 环境使用温度: 1°C ~ 55°C

* 用水温度: 4 ~ 90°C, 推荐使用热水温度55~65°C

* 冷热水管不可调换, 不可使用蒸汽。

Recommended Tools and Materials 推荐的工具和材料



Adjustable Wrench
活动扳手



Level
水平仪



Screwdriver
螺丝刀



Tape Measure
卷尺



seal tap
生料带

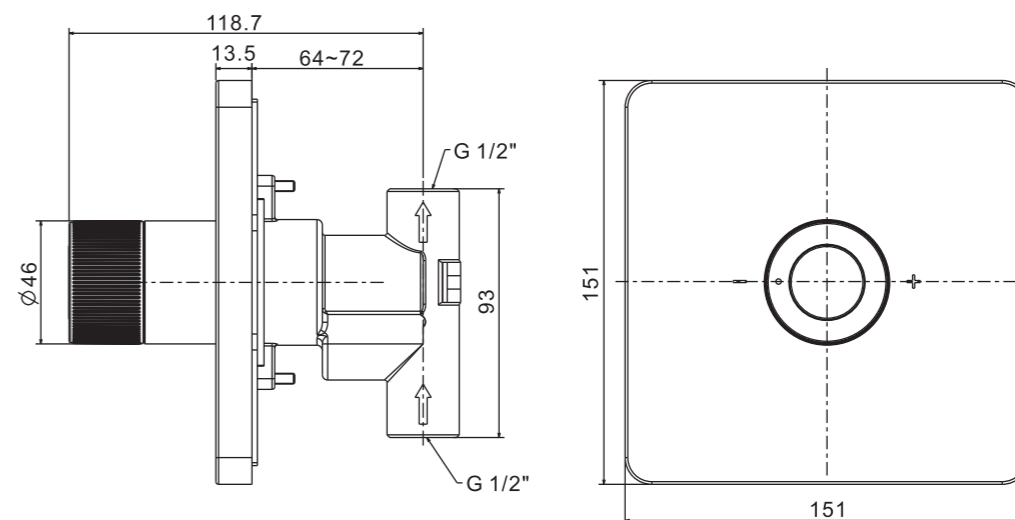


Pencil
铅笔

Dimension 基本尺寸

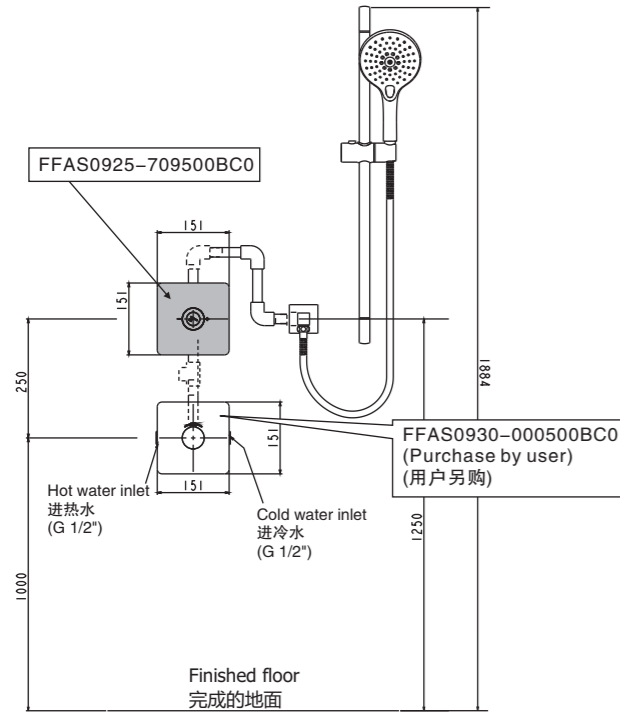
Unit: mm
单位: 毫米

FFAS0925-709500BC0 / FFAS0926-709500BC0 / FFAS0927-709500BC0 / FFAS0928-709500BC0

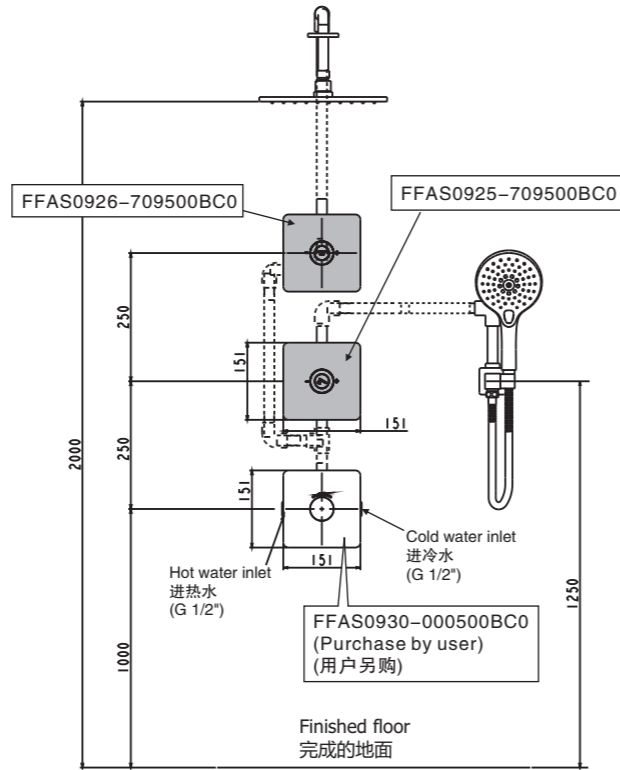


The combination of the recommended installation drawing 建议组合安装图

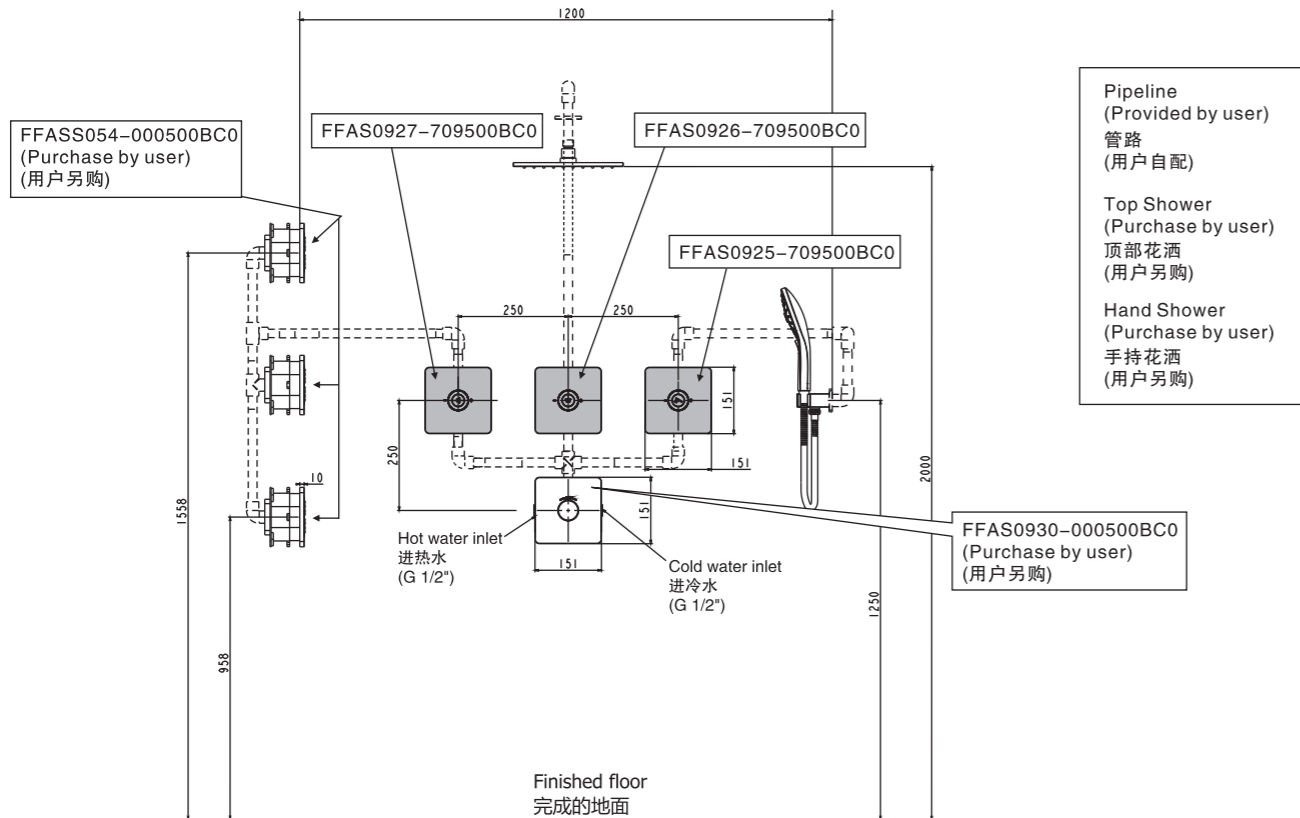
(组合一)
Combination 1



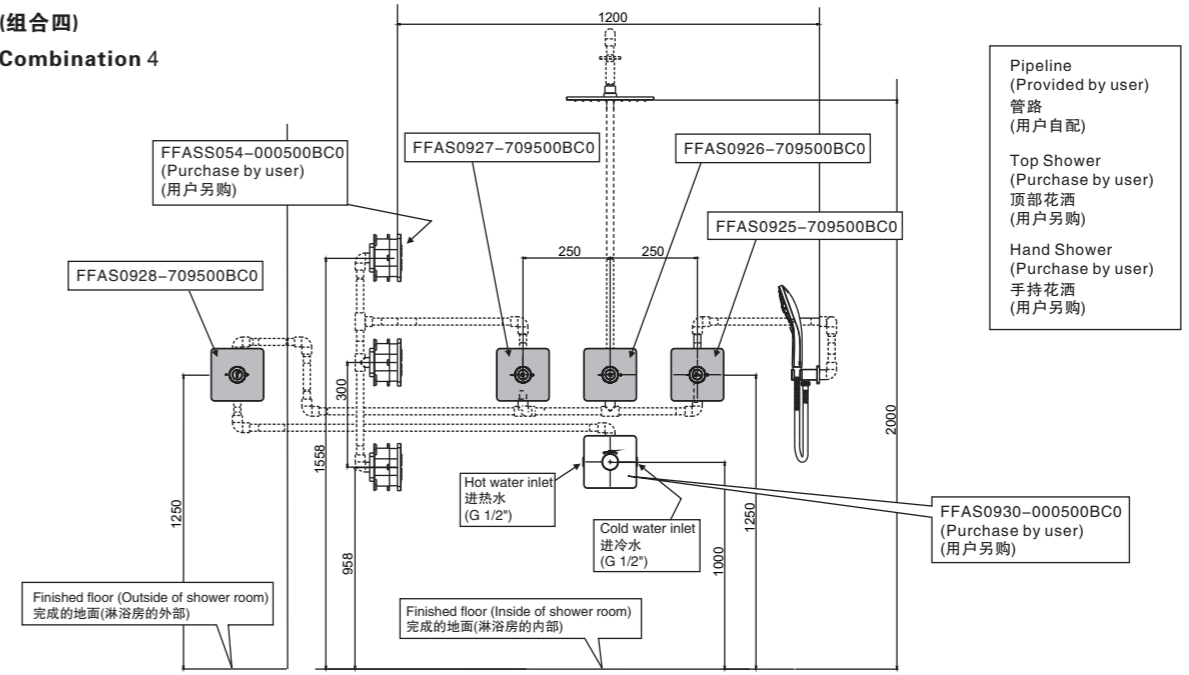
(组合二)
Combination 2



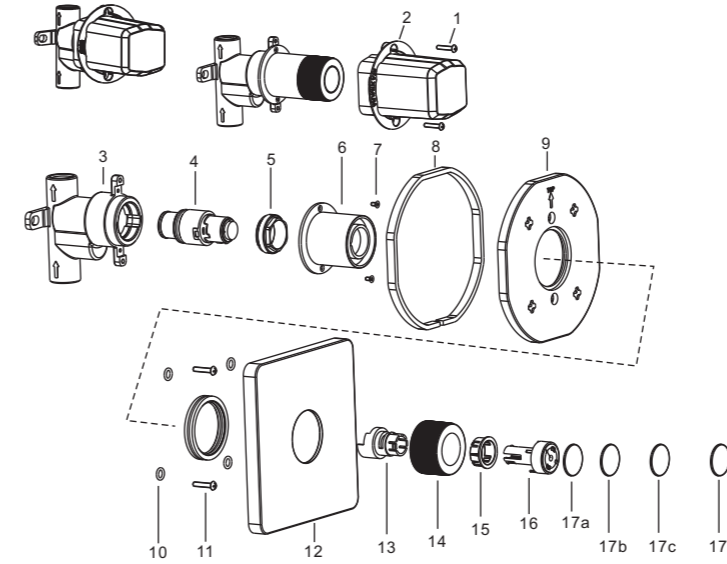
(组合三)
Combination 3



(组合四)
Combination 4



Parts List 零件明细



Parts List 零配件明细

No. 序号	Part Name 零件名称	Q'ty 数量			
		FFAS 0925	FFAS 0926	FFAS 0927	FFAS 0928
1	Screw 螺钉	2	2	2	2
2	Protection cover 保护套	1	1	1	1
3	Body 本体	1	1	1	1
4	Cartridge 阀芯	1	1	1	1
5	Lock nut 螺母	1	1	1	1
6	Bushing 阀芯铜套	1	1	1	1
7	Screw 螺钉	2	2	2	2
8	Washer 垫片	1	1	1	1
9	Fixing plate 固定板	1	1	1	1
10	O-Ring O环	4	4	4	4
11	Screw 螺钉	2	2	2	2
12	Escutcheon 孔罩	1	1	1	1
13	Handle adapter 把手连接套	1	1	1	1
14	Handle 把手	1	1	1	1
15	Bushing 衬套	1	1	1	1
16	Button body 按钮本体	1	1	1	1
17a	Button cover 按钮装饰盖	1	0	0	0
17b	Button cover 按钮装饰盖	0	1	0	0
17c	Button cover 按钮装饰盖	0	0	1	0
17d	Button cover 按钮装饰盖	0	0	0	1

Installation 安装部分

1 Installing the Body 安装本体 (FFAS0925 / FFAS0926 / FFAS0927 / FFAS0928)

