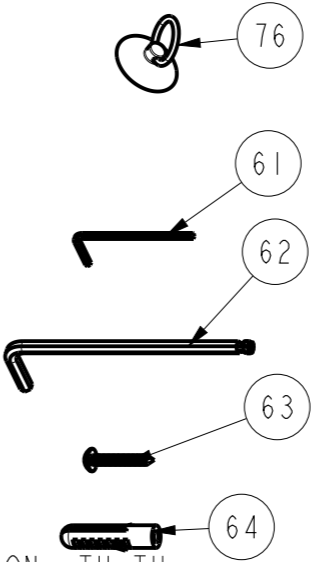
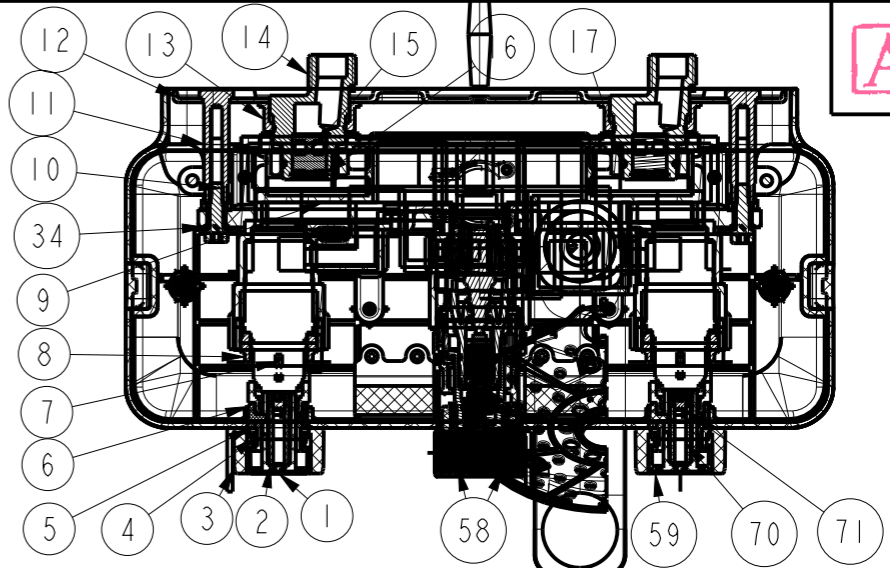
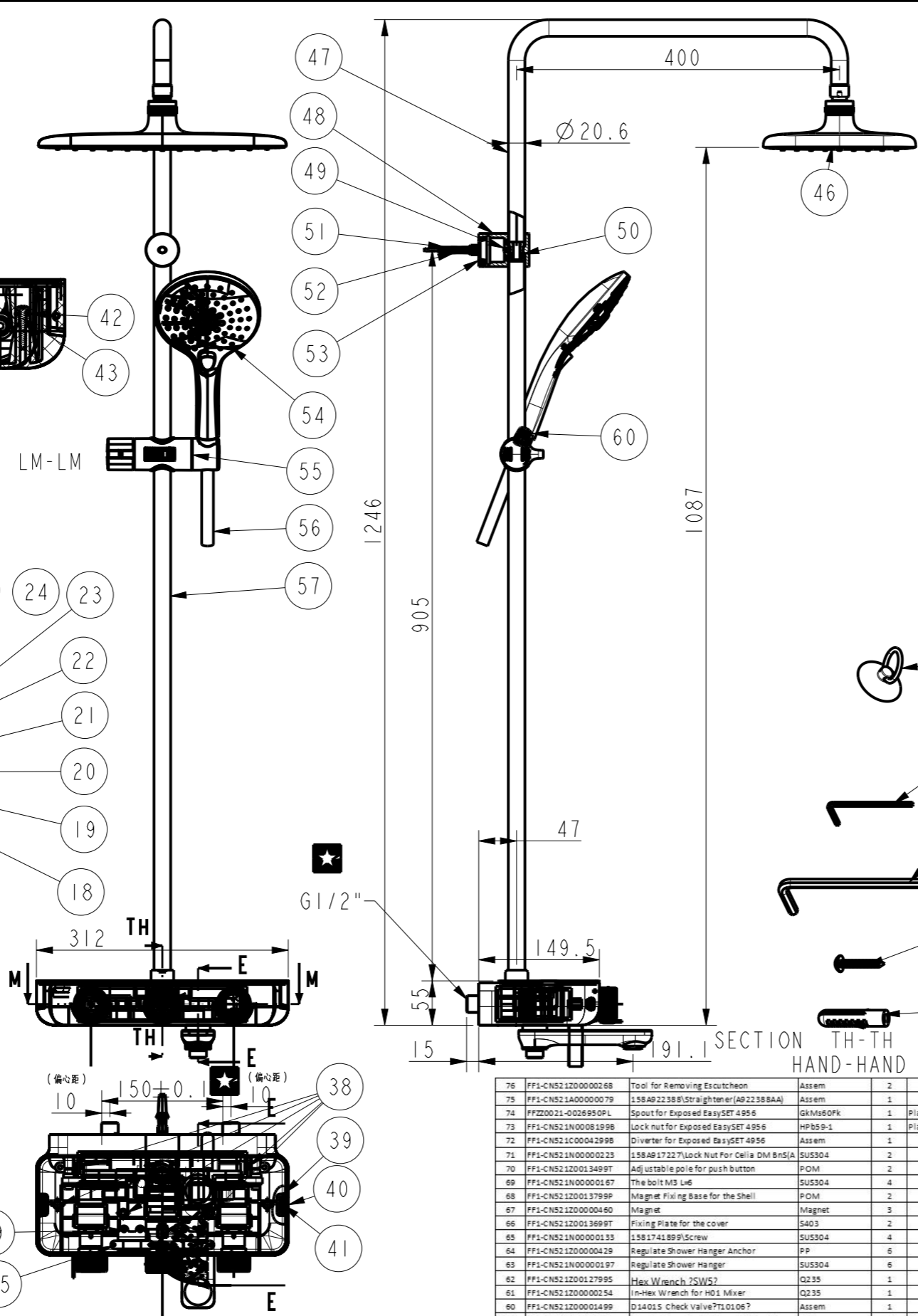
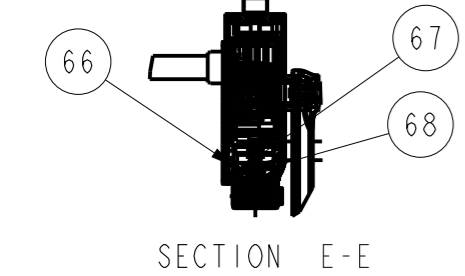
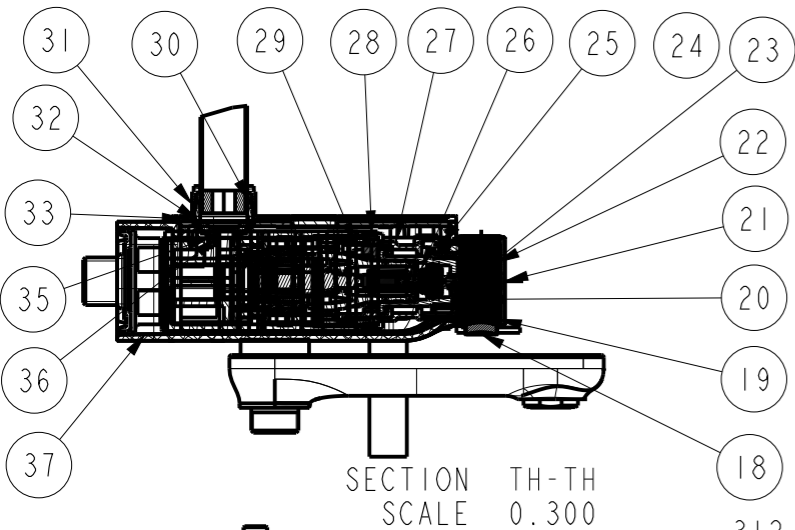
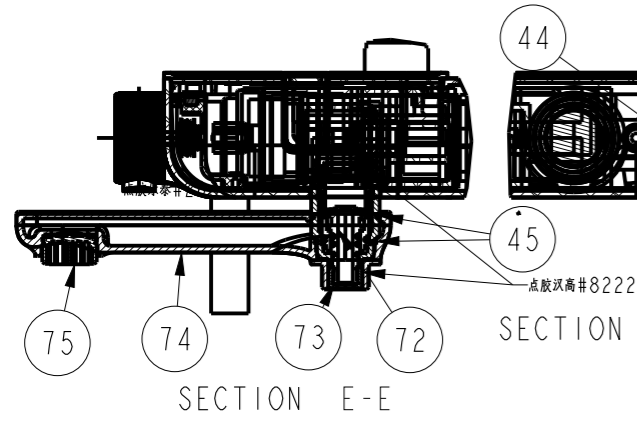


A/0

Tolerance, Unless Otherwise Stated, Is			
Above 0.5 to and including 6	±0.1	6	±0.1
Excess 6 to and including 30	±0.2	30	±0.2
Excess 30 to and including 120	±0.3	120	±0.3
Excess 120 to and including 315	±0.5	315	±0.5
Excess 315 to and including 1000	±0.8	1000	±0.8
Excess 1000 to and including 2000	±1.2	2000	±1.2



NO.	Part No.	Description	Material	QTY	Remark
76	FF1-CNS2120000268	Tool for Removing Escutcheon	Assem	2	
75	FF1-CNS21A0000079	158A922388)Straightener(A922388AA)	Assem	1	
74	FFZ0021-0026950PL	Spout for Exposed EasySET 4956	GKM60Fk	1	Plating
73	FF1-CNS21N00081998	Lock nut for Exposed EasySET 4956	HPb59-1	1	Plating
72	FF1-CNS21C00042998	Diverter for Exposed EasySET 4956	Assem	1	
71	FF1-CNS21N00000223	158A917227)Lock Nut For Cella DM Bn5(A	SUS304	2	
70	FF1-CNS2120013499T	Adjustable pole for push button	POM	2	
69	FF1-CNS21N00000167	The bolt M3 L6	SUS304	4	
68	FF1-CNS2120013799P	Magnet Fixing Base for the Shell	POM	2	
67	FF1-CNS21200000460	Magnet	Magnet	3	
66	FF1-CNS2120013699T	Fixing Plate for the cover	S403	2	
65	FF1-CNS21N00000133	1581741899)Screw	SUS304	4	
64	FF1-CNS21200000429	Regulate Shower Hanger Anchor	PP	6	
63	FF1-CNS21N00000197	Regulate Shower Hanger	SUS304	6	
62	FF1-CNS2120012799S	Hex Wrench 25W52	Q235	1	
61	FF1-CNS21200000254	In-Hex Wrench for HD1 Mixer	Q235	1	
60	FF1-CNS21200001499	D14015 Check valve77101067	Assem	1	
59	FF1-CNS21F0011050P	Handle Cover (hand shower & Spout)	ABS	1	Plating
58	FF1-CNS21N00000173	Screw M2.5*6	SUS304	2	
57	FF1-CNS21X0023650B	Rainshower Pipe for Exposed EasySET (P	Assem	1	Plating
56	FF1-CNS2170004199P	1.5m PVC Twist-free Flexible Hose	Assem	1	
55	FF1-CNS2120011550P	Easy Slide holder for Exposed EasySET	Assem	1	Plating
54	FF1-CNS21H0006350P	Rain-click 3-Function 130mm Hand Spray	Assem	1	

NO.	Part No.	Description	Material	QTY	Remark
53	FF1-CNS21P00000176	Base Plate For Pipe Holder	SUS304	1	
52	FF1-CNS21200000420	ANCHOR(M905767)	PP	1	
51	FF1-CNS21N00000279	6inchEconomy Stainless SteelScrew	SUS304	1	
50	FF1-CNS21G00000268	O-Ring 11.2*2.0	NBR	1	
49	FF1-CNS21N00000227	Screw(A917338)	SUS304	2	
48	FF1-CNS21P0008550X	Pipe Holder for Exposed EasySET Shower	ZZnAl 4-1	1	Plating
47	FF1-CNS21X00000045	1585521150)V. Pipe for Rainshower	Assem	1	Plating
46	FF1-CNS21H0005650P	12" Head Shower for Exposed EasySET	Assem	1	
45	FF1-CNS21G00000254	O-Ring 23.52*1.78	NBR	2	
44	FF1-CNS2120012699S	Fixing Pin for EasySET Exposed	SUS304	2	
43	FF1-CNS21N00000279	6inchEconomy Stainless SteelScrew	SUS304	2	
42	FF1-CNS21G00000108	1581210999)O-Ring 76* 71.85	NBR	2	
41	FF1-CNS2120009499S	Hook Spring for Exposed EasySET	SUS304	2	
40	FF1-CNS2120007150P	Slide Hook for Exposed EasySET	ABS	2	Plating
39	FF1-CNS2120009350B	Hook Pin for Exposed EasySET	SUS304	4	
38	FF1-CNS21N00000239	EJOT-PT-SCREW KB50*16(A918549)	SUS304	4	
37	FF1-CNS21J0014250P	Body Shell for Exposed EasySET	ABS	1	Plating
36	FF1-CNS21J0015050B	Head Shower Adaptor for Exposed EasySET	HPb59-1	1	Plating
35	FF1-CNS21G00000289	ORING 11*1.5	NBR	1	
34	FF1-CNS21200000153	1581446399)66 Spring Washer	SUS304	2	
33	FF1-CNS21P0006790P	Cover plate for EasySET Exposed Rain 5	ABS	1	White
32	FF1-CNS21G00000260	O-ring 20.35*1.78(A912655)	NBR	1	
31	FF1-CNS21N00000097	Locknut For Shower Pipe	HPb59-1	1	Plating
30	FF1-CNS21G00000090	V Washer	NBR	1	
29	FF1-CNS21N0005050B	THM Cartridge Lock Nut for Exposed Eas	HPb59-1	1	Plating
28	FF1-CNS21N0005150B	Temperature Restrictor Lock Nut for Ex	HPb59-1	1	Plating
27	FF1-CNS2120008499P	Temperature Restrictor for Exposed Eas	POM	1	
26	FF1-CNS21C0002099P	GROHE Thermostatic	Assem	1	
25	FF1-CNS21N00000187	Set Screw for Acacia Single Hole Faucet	SUS304	1	
24	FF1-CNS21J0014499B	THM Cartridge Adaptor for Exposed Easy	HPb59-1	1	
23	FF1-CNS21N00000194	2002 Screw (Zinc)	SUS304	1	
22	FF1-CNS21J0006150X	THM Handle for Exposed EasySET	ZZnAl 4-1	1	Plating
21	FF1-CNS21J0006150P	THM Handle Cover for Exposed EasySET	ABS	1	Plating
20	FF1-CNS21200000182	1581602599)Spring for Heritage SH Lava	SUS304	1	
19	FF1-CNS21N0006099S	Screw 7M3*337	SUS304	1	
18	FF1-CNS21J0010950X	Handle Button for Easy Dial THM	ZZnAl 4-1	1	Plating
17	FF1-CNS21G00000126	1581214699)O-Ring 71.5*5.4*2.62	NBR	2	
16	FF1-CNS2120008599S	Clip Ring for Check Valve	SUS304	2	
15	FF1-CNS21200005199	Check Valve (30404300002)	Assem	2	
14	FF1-CNS21J0014399B	S Vonnector for Exposed EasySET	HPb59-1	2	
13	FF1-CNS21N0005299B	Fixing Plate Lock Nut for Exposed Eas	HPb59-1	2	
12	FF1-CNS21P0008899S	Fixing Plate for Exposed EasySET	SUS304	1	
11	FF1-CNS21N0004899S	Fixing Bolt for Exposed EasySET	SUS304	2	
10	FF1-CNS21N00000123	1581722199)Bolt M6-20	SUS304	2	
9	FFZ0021-0027150PL	Body for Exposed EasySET 4956	GKM60Fk	1	Plating
8	FF1-CNS21N00000250	Lock Nut for the Push button cartridge	HPb59-1	2	
7	FF1-CNS21C00000499	Push Button Cartridge	Assem	2	
6	FF1-CNS21J0010599P	Handle Bushing for Easy Dial	POM	2	Gray
5	FF1-CNS21G0003799P	Washer (26*21*0.2)	TEFLON	2	
4	FF1-CNS21J0010699P	Handle Connector for Easy Dial	POM	2	Black
3	FF1-CNS21J0006250P	Push Button Handle for Exposed EasySET	ABS	2	Plating
2	FF1-CNS21J0014509P	Handle Connector for Exposed EasySET	POM	2	White
1	FF1-CNS21P0004550P	Handle Cover for Easy Dial (head showe	ABS	1	Plating

技术要求
性能符合 W110.0570 内控标准 - 恒温水嘴 (通用)
普通盒包装 包装需符合美标包装测试要求
产品装配按W108.1636.02组装作业指导书执行

REV	DESCRIPTION	DATE	NAME
		XSEC002	XSEC002

DESIGNED	刘卫群	2020.6.3	TITLE
CHECKED	张光强	2020.6.3	REF
APPROVED	李军	2020.6.3	EasySET Exposed Auto Temperature Shower System(3-way)
SCALE	MATERIAL	WEIGHT	DWG NO.
0.150	Assembly	[.0]	FFAS4956-601500BC0-EN

