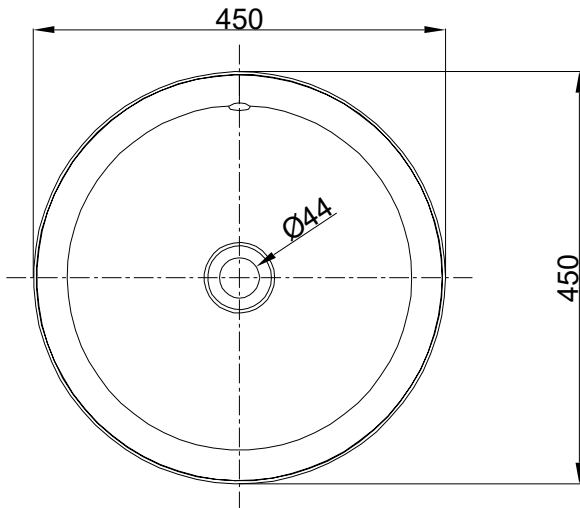
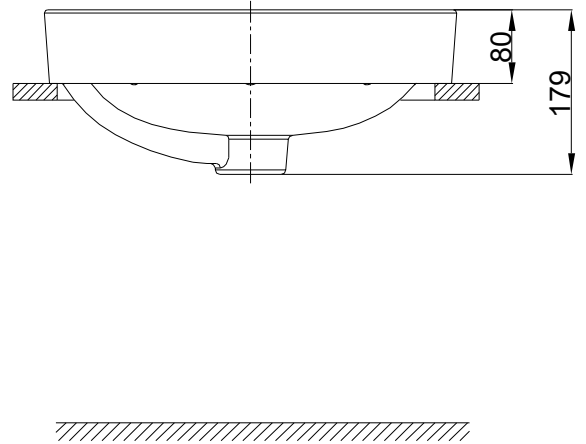
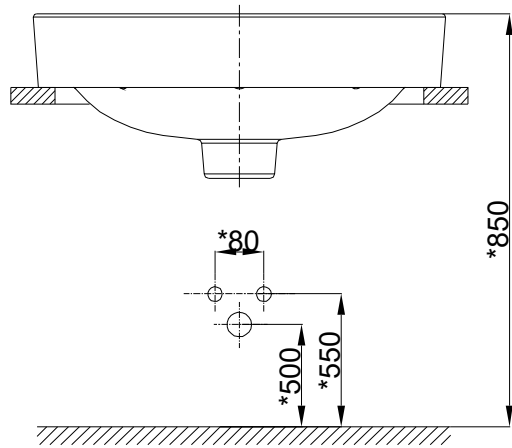


本图纸尺寸仅供参考，如有变更，恕不另行通知  
 This drawing just for reference, any change will not inform.

CN NPD/DRA 0639 LD-2023



\*This mark means suggested

	Drawn TuoFengFeng	Material VC	Date: 22-Feb-2023	scale: 1/1
<i>American Standard</i> International design center		Concept round vessel		