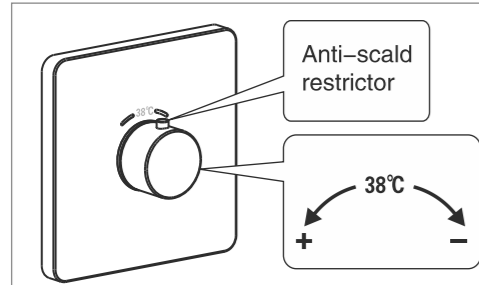


## Test / Usage

### 1 Test

- \* Turn handle to "OFF" position. Open water supply valve to check all connections for leakage;
- \* Turn handle to "ON" position. Check the water flow .

### 2 Usage



#### Anti-scald restrictor operation :

If you want to the mixed water temperature below 38°C , no need to press the restrictor ;  
If you want to the mixed water temperature exceed 38°C , please press the restrictor and contrarotate the handle till to the comfortable temperature (max 49°C).

## Trouble Shooting Guide

Trouble	Checkpoint	Contents	Action
Poor flow rate	Water supply valve	Check valve position.	Open it to full valve
Leakage	Cartridge packing	Check cartridge install.	When packing is damaged, replace the cartridge.
Deviant Temperature	Supply Valve	Check if the water from Supply valve is enough or not	Increase water supply
	Supply system	Check if the supply pipe connected correct or not	Connect the hot and cold water pipe correctly

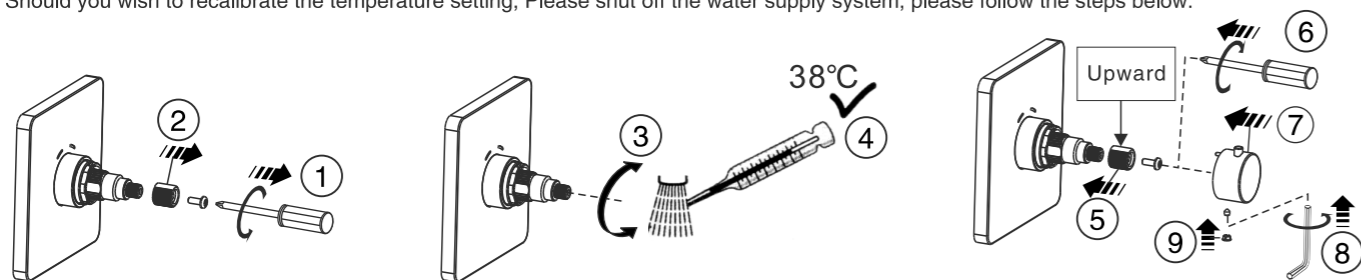
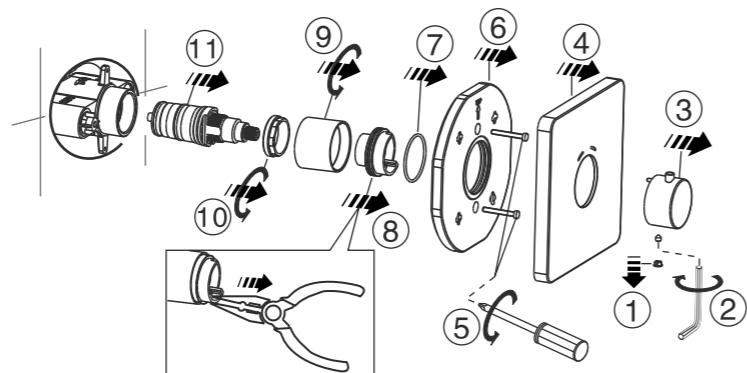
## Care & Maintenance

### 1 Temperature Cartridge

- \* If you want to do the maintenance for the faucet, please follow the below process.
- \* Before maintenance, please shut off the water supply system.

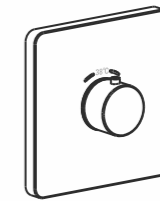
### 2 Adjust Temperature Selection Handle

- \* The temperature selection handle has been calibrated before shipping and generally does not require recalibration
- \* Should you wish to recalibrate the temperature setting, Please shut off the water supply system, please follow the steps below:

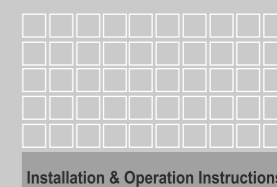


**Attention:**  
Please Leave the manual to the customer after installation is finished.

FFAS0930-709XXXBF0  
FFAS0930-709XXXBT0  
EasySET Conceal Thermostatic Mixer with Trim



American Standard



XXX = AL0 / A00 / DA0 / GL0 / 440 / 500

**Thank you for selecting American-Standard - the benchmark of fine quality for over 100 years.  
To ensure that your installation proceeds smoothly--please read these instructions carefully before you begin.**

- \* American Standard always keep raising and improving the product design and performance, and reserve the right to modify the dimension and specification. At this case, we will not inform you separately.
- \* This installation instruction sheet is for your reference only, the dimension and specification is subject to the actual products.

## Pre-Installation Checks

\* Remove all impurity in pipes before beginning to avoid clogging. Connect faucet pipes correctly. Make sure the cold water hose is connected to the right side and the hot water hose to the left. Check installation distances in the Dimension diagram to ensure correct installation.

### Conditions for use :

1. Recommended water pressure condition: 0.1~0.5MPa (For best performance and longer life, we recommend fit with pressure reducing valve when water pressure exceed 0.5MPa, cold and hot water pressure difference not exceed 0.2MPa.).
2. Water Temperature: Cold Water Temperature 4°C ~ 29°C; Hot Water Temperature 55°C ~ 85°C, recommended Water Temperature 55°C ~ 65°C.
3. Environment Temperature: 1~55°C
4. Municipal water requirement, water quality, water quality conform to the state if the poor water quality, easy to plug Cartridge, causing the temperature sensitivity is poor, if blocking one-way valve, will cause the hot and cold water pipe string.

### Thermostatic valve attention:

- \* thermostatic valve has no cut-off function, and therefore it can not be used alone, it must be used with the switch control valve.
  - \* the thermostatic valve need to match appropriate hot water. Please try to use stable hot water supply source and the best for family is heat storage electric water heater, when you select gas or solar water heater, may appear the below situation, please choose carefully.
1. Gas water heater, every water heater has a minimum starting pressure (flow), when we open the thermostatic valve with small flow, the flow of hot water can not reach the minimum flow , so the water heater will be cut off. When the hot water in the pipeline is discharged, the water heater will restart, and repeat the recycle. At this time, the water supply is not stable and it will cause the outlet sometimes hot and sometimes cold.

### Solving methods:

- 1a. Set the water temperature of the water heater to 5 higher than the thermostatic valve (adjust with multiple manual knob, set the temperature knob in the lower position, and then use the knob to adjust the temperature of fire) the demand of hot water becomes larger in order to achieve the starting flow of the water heater. Recommended value: Summer: 45~50 C; winter 50~55.
  - 1b. Set the water thermostatic valve to full flow (half open water switch need to press the switch to rotate) you can also remove the limiting plug in the shower so that the water can become large to achieve the start flow of water heater
2. Solar water heaters, during the water supply, there is no pressure inside the hot water storage tank, and hot water from the water storage tank will flow by gravity to the thermostatic valve, when the pressure of the cold water supply exceeds hot water supply pressure with 0.2Mpa, the water supply will be reversed and the hot water can not come out, then the thermostatic valve water will become sometimes hot and sometimes cold .

### Solving methods

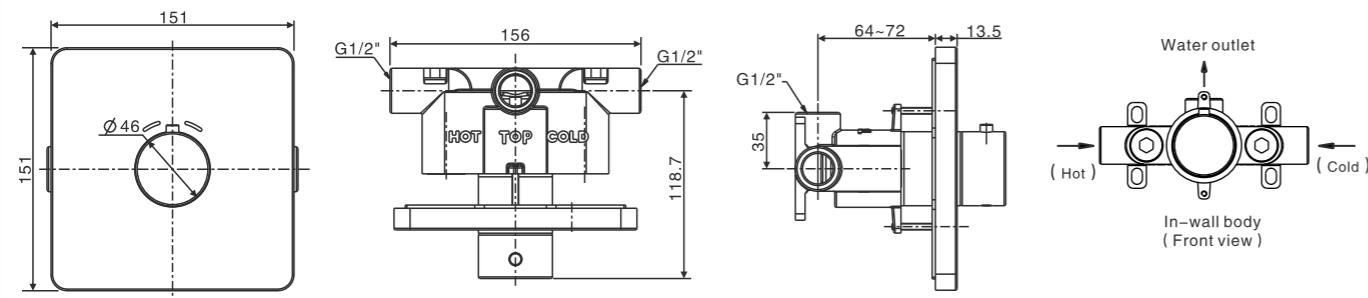
- 2a. to add a pump to the supply of solar water pump, so that the pressure of cold and hot water to reach a balance. Push and save the pressurized water pressure: 0.3MPa.
  - 2b. water supply to the cold water with a pressure reducing valve, the same purpose of the cold and hot water supply pressure to reach a balance. When the water supply pressure exceeds 0.5MPa, the pressure relief valve is required to be configured.
- Recommended water pressure: 0.1~0.5MPa, hot and cold water pressure difference: less than 0.2MPa

## Recommended Tools and Materials



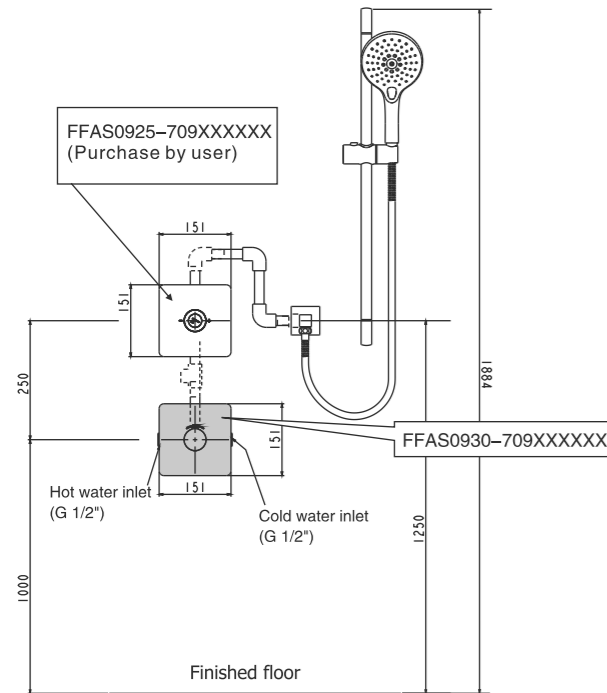
## Dimension

Unit: mm

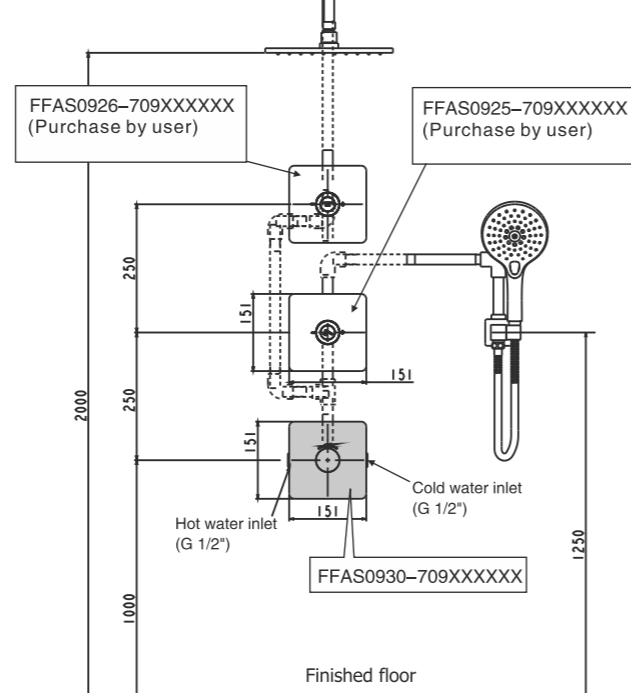


## The combination of the recommended installation drawing

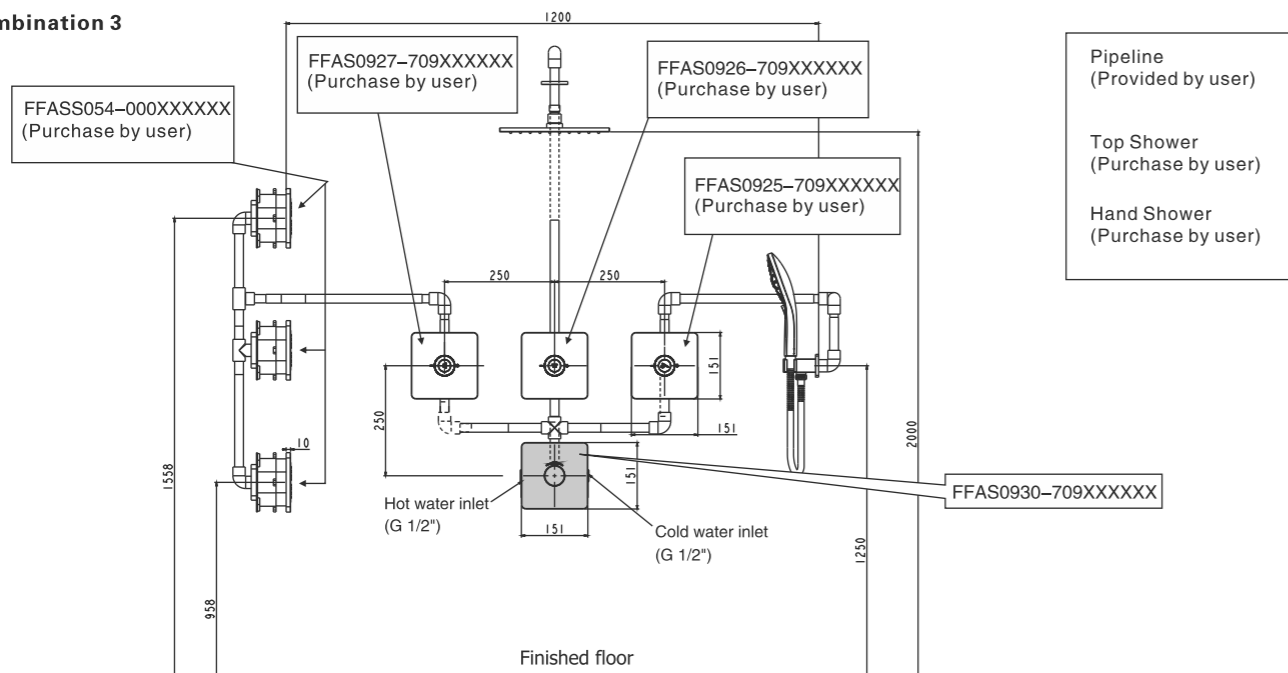
### Combination 1



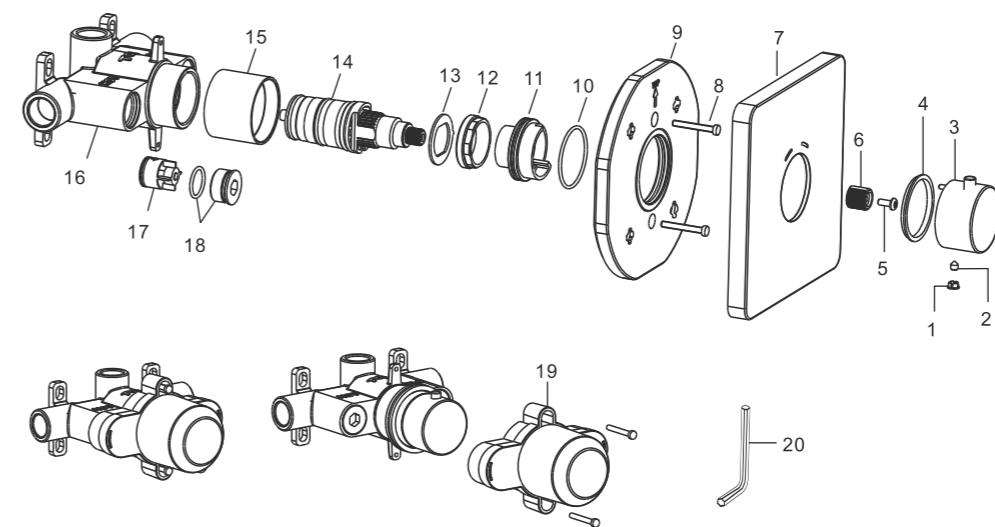
### Combination 2



### Combination 3



## Parts List

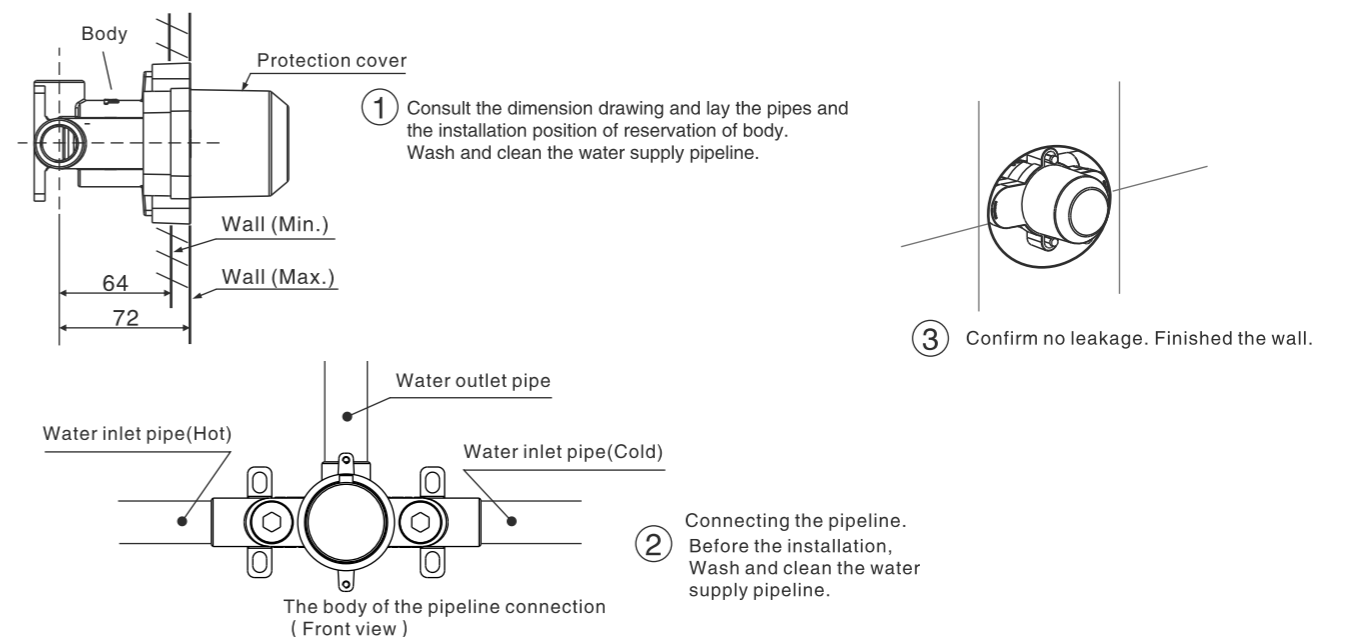


## Parts List

No.	Part Name	Q'ty
1	Index button	1
2	Screw	1
3	Handle	1
4	Locating piece	1
5	Screw M4x12	1
6	Bushing	1
7	Escutcheon	1
8	Screw M4x31	2
9	Locating plate	1
10	O-Ring	1
11	Snap ring	1
12	Nut	1
13	Washer	1
14	Cartridge	1
15	Sleeve	1
16	Body	1
17	Check valve	2
18	Plug	2
19	Protection cover	1
20	In-hex wrench	1

## Installation

### 1 Installing the Body



### 2 Installing the Escutcheon and Handle

