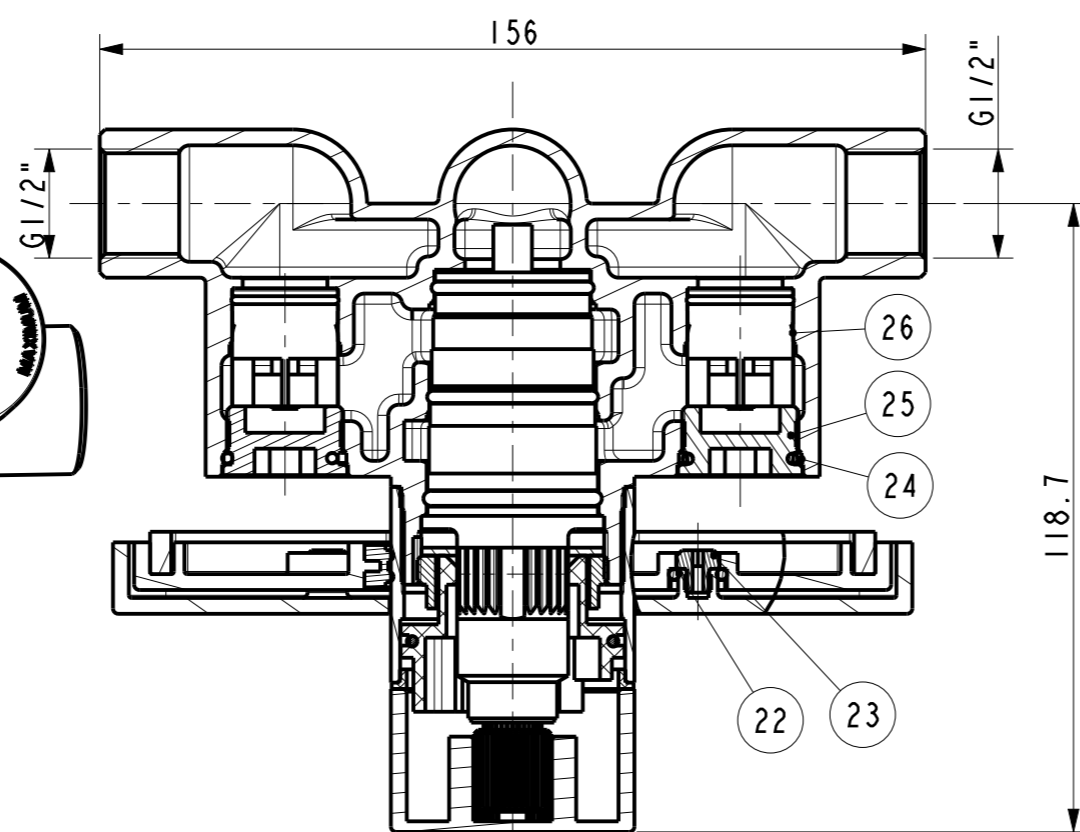
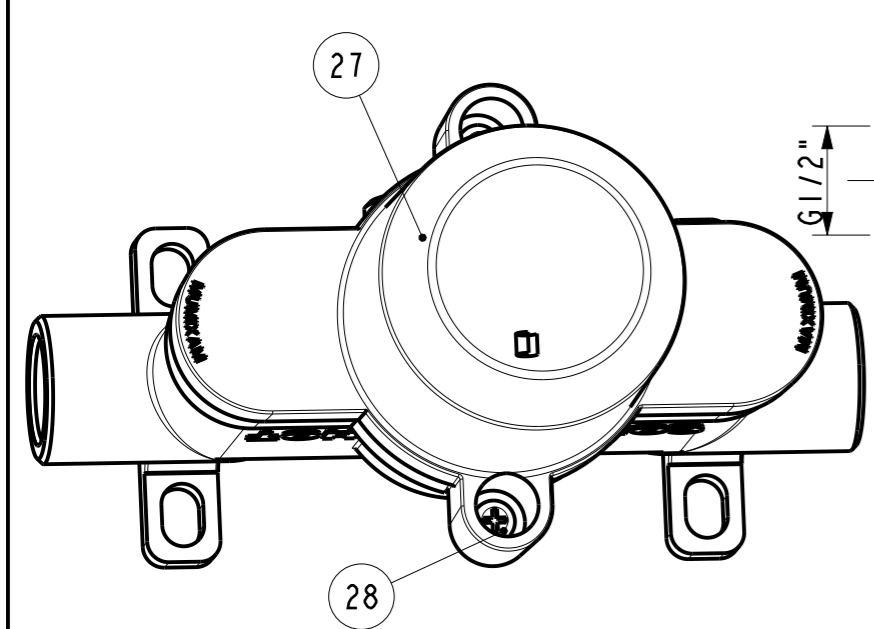
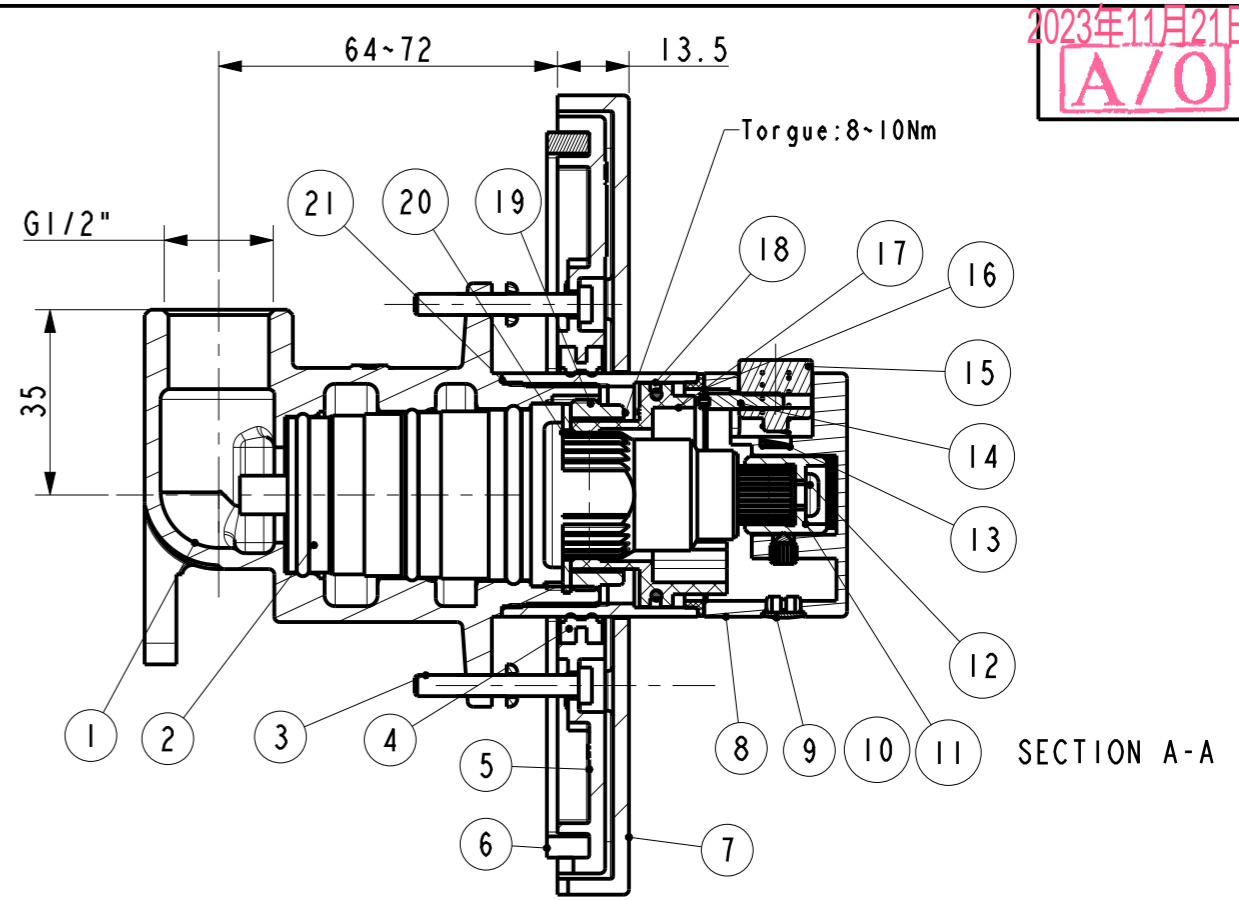
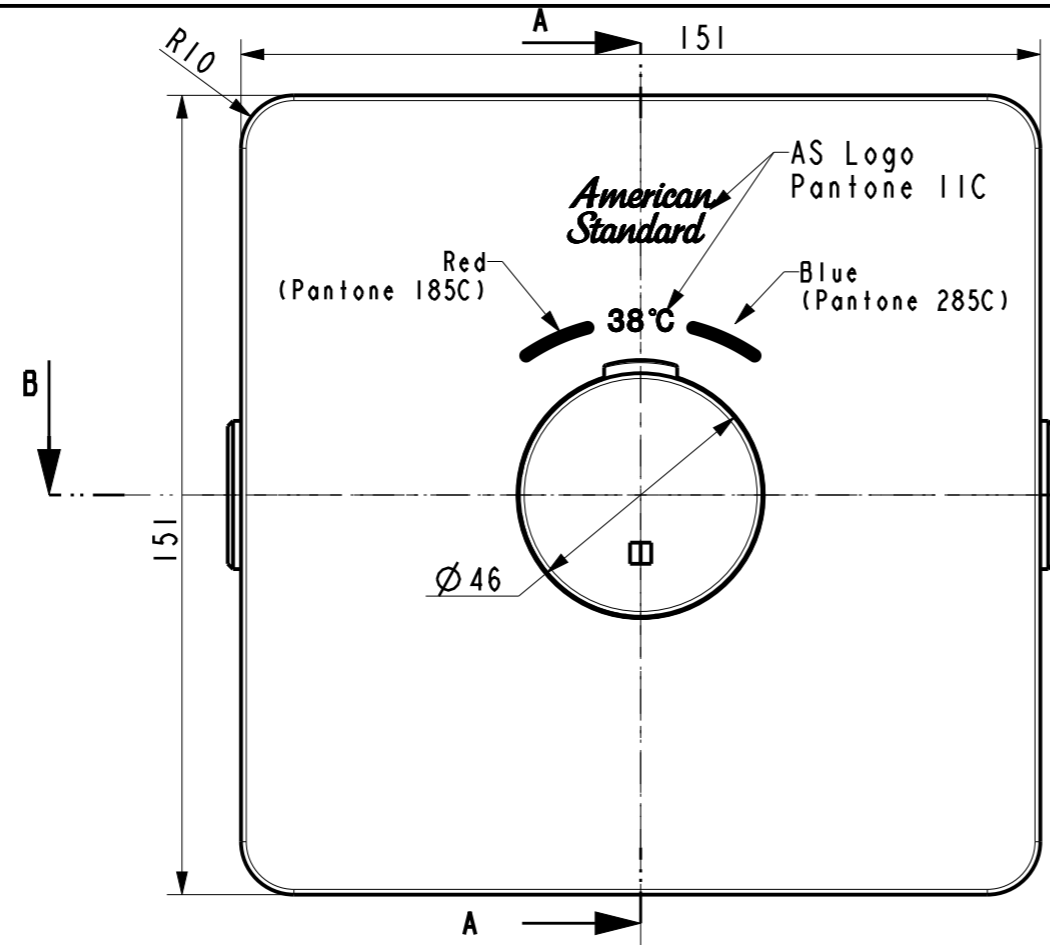


2023年11月21日
A/O

Tolerance, Unless Otherwise Stated, Is			
Above 0.5 to and including 6	±0.1		
Excess 6 to and including 30	±0.2		
Excess 30 to and including 120	±0.3		
Excess 120 to and including 315	±0.5		
Excess 315 to and including 1000	±0.8		
Excess 1000 to and including 2000	±1.2		



No.	Part No.	Description	Material	QTY	Remark
28	FF1-CN521N00000194	15818609F4\2002 保护套螺钉	SUS304	2	
27	FF1-CN521Z00004599	入墙式恒温阀保护套	PP	1	
26	FF1-CN521Z00000312	1586014699\单向阀 0V D20 (31.4220.0)	Assembly	2	
25	FF1-CN521N00000049	1580492199\入墙恒温单向阀锁紧螺母	HPb59-1	2	
24	FF1-CN521G00000107	1581210799\O型圈 17.8* 2	EPDM	2	
23	FF1-CN521J000000214	158180199U\入墙面板通用固定销钉	Hpb59-1	4	
22	FF1-CN521G000000291	158A912789\O环 (7X2) (Water Mark)	NER	4	
21	FF1-CN521J00107DAB	入墙恒温阀芯铜套-温暖金	HPb59-1	1	温暖金
20	FF1-CN521Z00000143	1581387899\入墙恒温阀芯定位片	SUS304	1	
19	FF1-CN521N00000048	1580492099\入墙恒温阀芯锁紧螺母	HPb59-1	1	
18	FF1-CN521G000000131	1581215799\O环 $\phi 36*2$	NER	1	
17	FF1-CN521Z00000144	1581400399\入墙恒温阀温度限位环	POM	1	
16	FF1-CN521W00000013	1581185299\入墙恒温阀把手垫圈	PA66	1	
15	FF1-CN521J00109DAX	入墙恒温阀把手按钮-温暖金	ZnA14-1	1	温暖金
14	FF1-CN521N00000140	1581743099\螺钉M3X17	SUS304	1	
13	FF1-CN521Z00000182	1581602599\典雅单孔面盆龙头把手弹簧	SUS304	1	
12	FF1-CN521N00000130	1581741199\一体式感应冲洗阀U管锁紧螺母	SUS304	1	
11	FF1-CN521J000000196	1581622899\32齿-36齿转换接头	HPb59-1	1	
10	FF1-CN521N00000228	158A917376\希丽亚台面浴缸内六方把手螺	SUS304	1	
9	FF1-CN521Z0000049DA	1580970150\把手孔塞(镀铬)-温暖金	ABS	1	温暖金
8	FF1-CN521L00050DAX	入墙式恒温控制阀把手-温暖金	ZnA14-1	1	温暖金
7	FF1-CN521FDA000265	158R65178U\逸魅尚入墙式淋浴通用面板-温暖金	ABS	1	温暖金
6	FF1-CN521K00000034	新典入墙面板胶带(海绵垫)4*8*570mm	EVA	1	
5	FF1-CN521F000000014	1580306799\入墙式淋浴龙头固定板	ABS	1	
4	FF1-CN521G000000206	158138759U\ $\phi 46$ 入墙面板密封胶圈(56*45*8)	NER	1	
3	FF1-CN521N00000185	1581839699\感应冲洗阀紧固板螺钉	SUS304	2	
2	FF1-CN521C000000012	AC-868\恒温阀阀芯(CA43)	Assembly	1	
1	FFZ20021-0010699MC	入墙式恒温控制阀本体	DZR Brass	1	

DESIGNED	区振锋	2023.11.14	TITLE
CHECKED	利华次	2023.11.14	Conceal Thermostatic Mixer with Trim_DAO
APPROVED	李华志	2023.11.14	REF
SCALE	MATERIAL	WEIGHT	易舒喜入墙恒温控制阀_温暖金
0.700	Assembly	[.0]	DWG NO. FFAS0930-000DA0BF0

REV	DESCRIPTION	DATE	NAME

SECTION B-B

