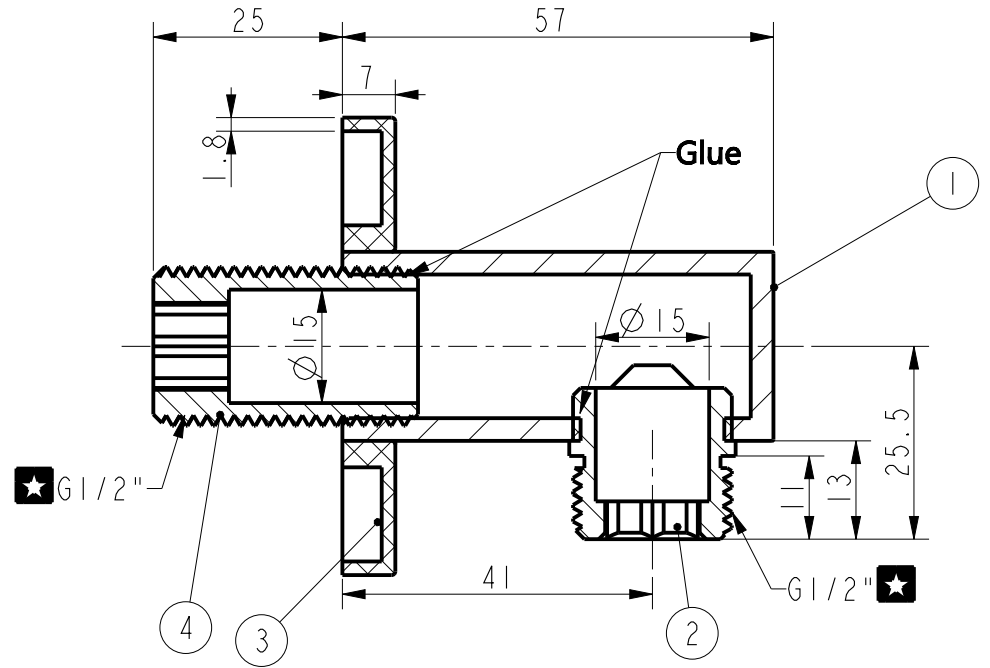
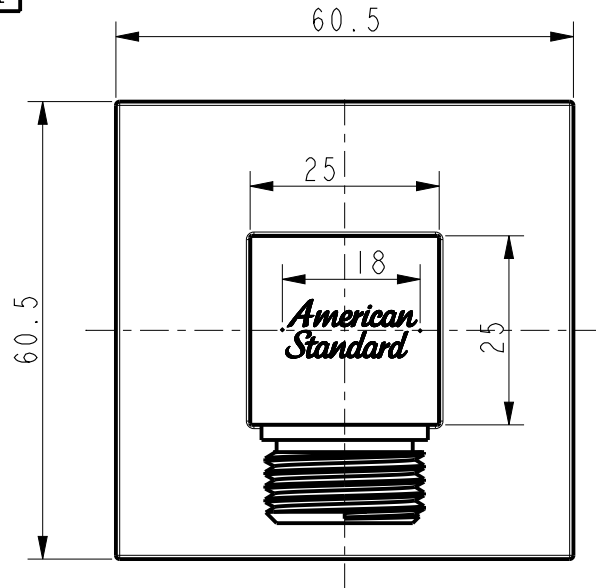


Tolerance, Unless Otherwise Stated. Is				
Above	0.5 to and including	6	±0.1	
Excess	6 to and including	30	±0.2	
Excess	30 to and including	120	±0.3	
Excess	120 to and including	315	±0.5	
Excess	315 to and including	1000	±0.8	
Excess	1000 to and including	2000	±1.2	



SECTION A-A

NO.	Description	Material	QTY	Remark
4	Connector	HPb59-1	1	Plating
3	Cover	ABS	1	Plating
2	Adaptor	HPb59-1	1	Plating
1	Body	HPb59-1	1	Plating

DESIGNED			TITLE
CHECKED			REF
APPROVED			<b>Wall Outlet - Square (G1/2")</b>
SCALE	MATERIAL	WEIGHT	DWG NO.
1:1			<b>FFAS9142-000500BCO</b>

REV	DESCRIPTION	DATE	NAME

*American Standard*