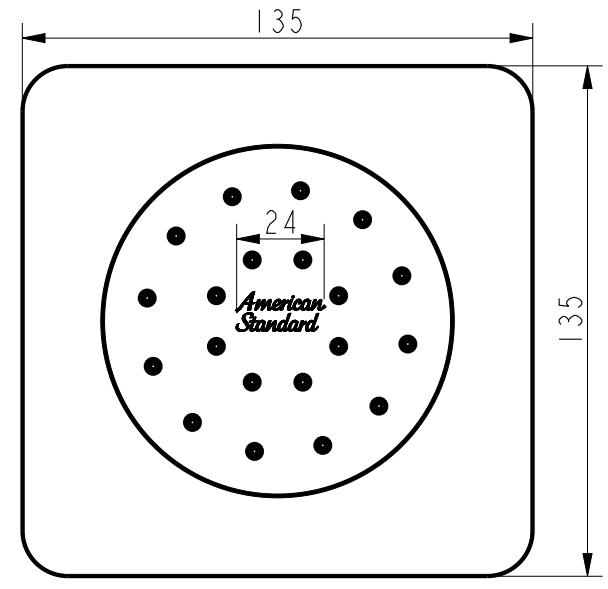
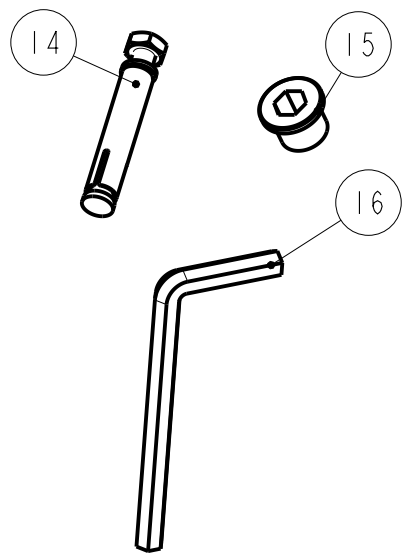
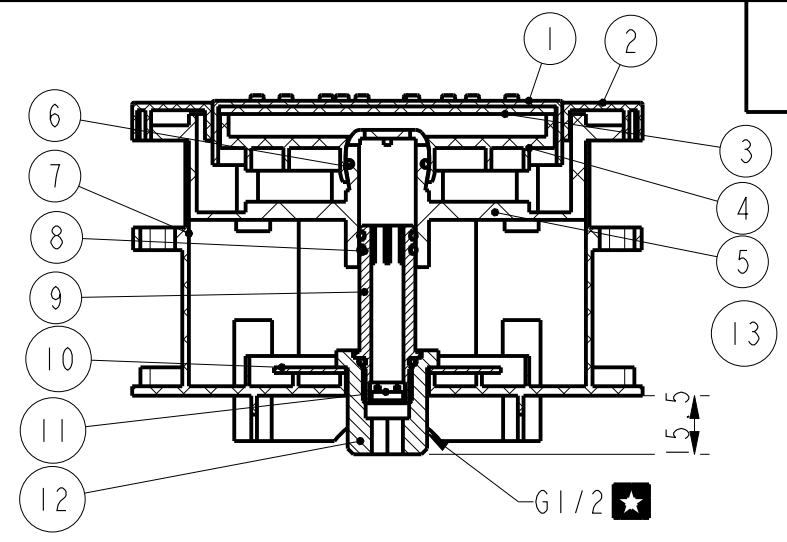
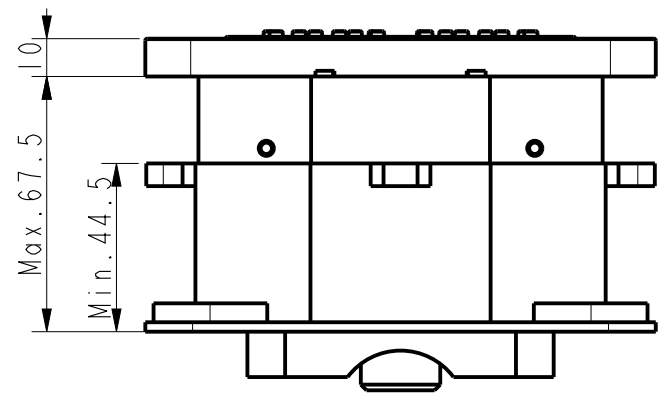


Tolerance, Unless Otherwise Stated. Is			
Above	0.5 to and including	6	±0.1
Excess	6 to and including	30	±0.2
Excess	30 to and including	120	±0.3
Excess	120 to and including	315	±0.5
Excess	315 to and including	1000	±0.8
Excess	1000 to and including	2000	±1.2



NO.	Description	Material	QTY	Remark
16	Wrenth (SW8)	Q235	1	
15	Plug	HPb59-1	1	
14	Expansion Set	Assem	4	M6*60
13	Tapping Screw	SUS304	8	S4.2*38
12	Inlet Adapter	HPb59-1	1	
11	Regurator	Assem	1	
10	Washer	SUS304	1	
9	Connertor	HPb59-1	1	
8	O-Ring	NBR	3	
7	Concealed box	PP	1	
6	O-Ring	NBR	1	
5	Shower Body	ABS	1	Cu>15.0u, Ni>7.0u,Cr>0.25u
4	Fixing plate	ABS	1	
3	Nozzle	NBR	1	
2	Escutcheon	ABS	1	Cu>15.0u, Ni>7.0u,Cr>0.25u
1	Shower Cover	ABS	1	Cu>15.0u, Ni>7.0u,Cr>0.25u

DESIGNED			TITLE
CHECKED			REF
APPROVED			Concealed Body Shower
SCALE	MATERIAL	WEIGHT	DWG NO.
1:2			FFASS054-000500BC0

REV	DESCRIPTION	DATE	NAME

