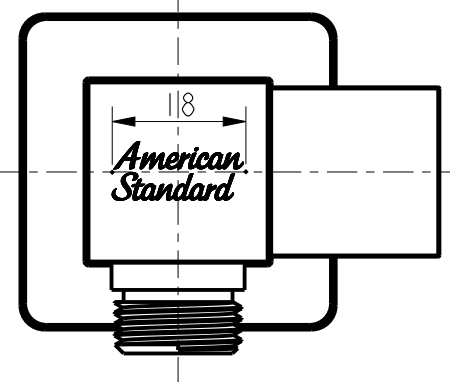
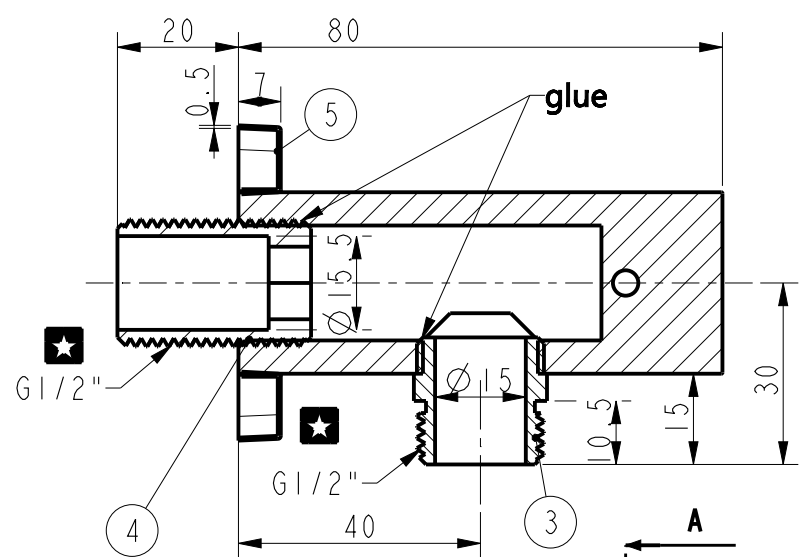
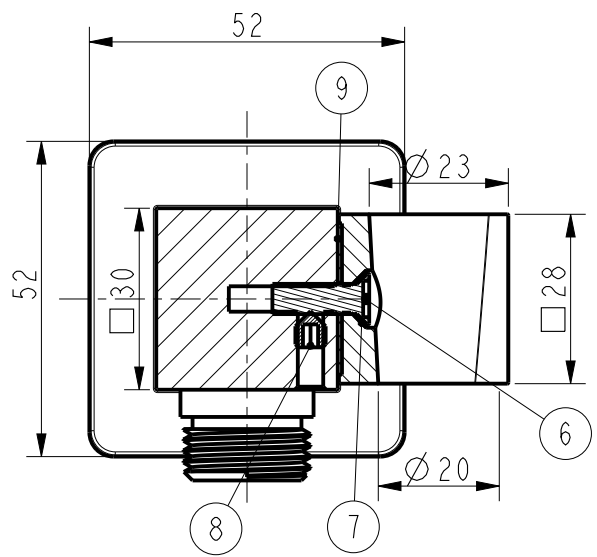
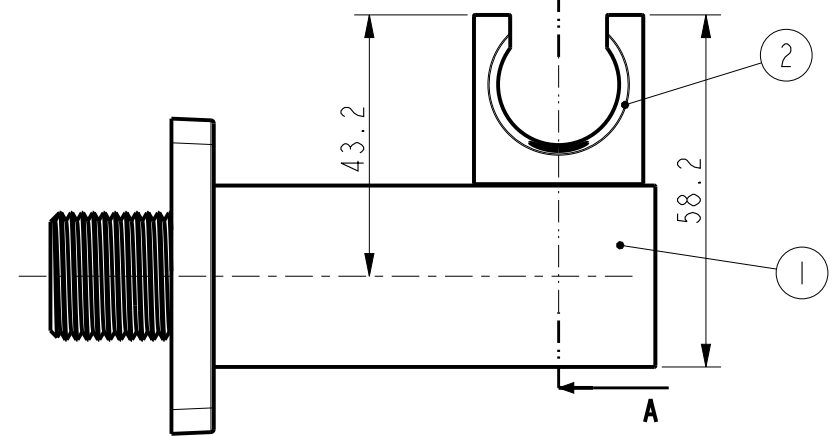


Tolerance, Unless Otherwise Stated. Is			
Above	0.5 to and including	6	±0.1
Excess	6 to and including	30	±0.2
Excess	30 to and including	120	±0.3
Excess	120 to and including	315	±0.5
Excess	315 to and including	1000	±0.8
Excess	1000 to and including	2000	±1.2

SECTION A-A



NO.	Description	Material	QTY	Remark
9	Wahser	PA66	1	white
8	M5 Screw	SUS304	1	
7	Bushing	PA66	1	white
6	Screw	SUS304	1	
5	Cover	HPb59-1	1	Plating
4	Connector	HPb59-1	1	
3	Adapter	HPb59-1	1	Plating
2	Holder	HPb59-1	1	Plating
1	Body	HPb59-1	1	Plating



DESIGNED			TITLE
CHECKED			REF
APPROVED			Wall Outlet with Holder - Square (G1/2")
SCALE	MATERIAL	WEIGHT	DWG NO.
1:1			FFAS9143-000500BC0

REV	DESCRIPTION	DATE	NAME

