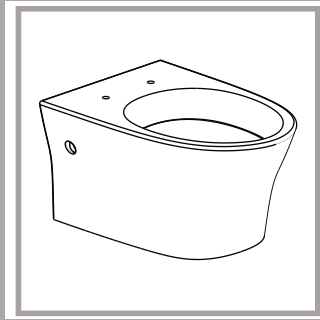
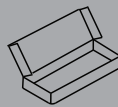
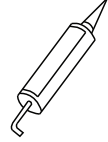
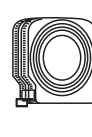
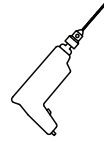
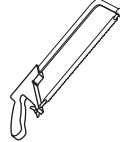
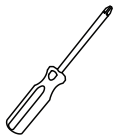
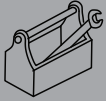
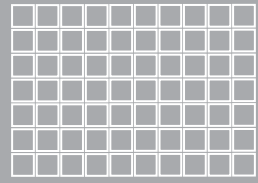


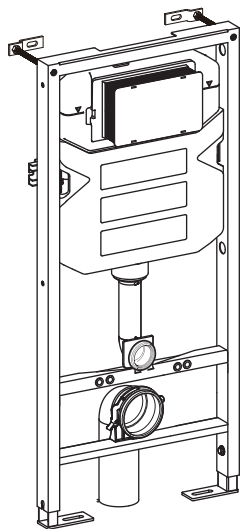
CCAS2140



American Standard



CCAS4140



— x1

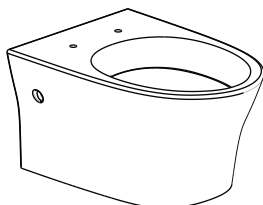


— x1



— x1

CCAS3140-3W20400C0



— x1

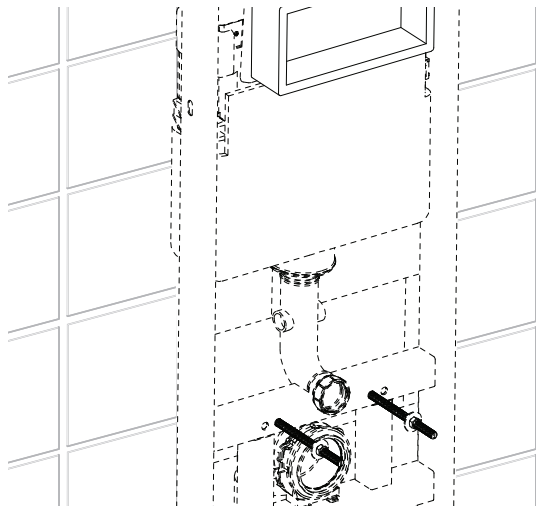
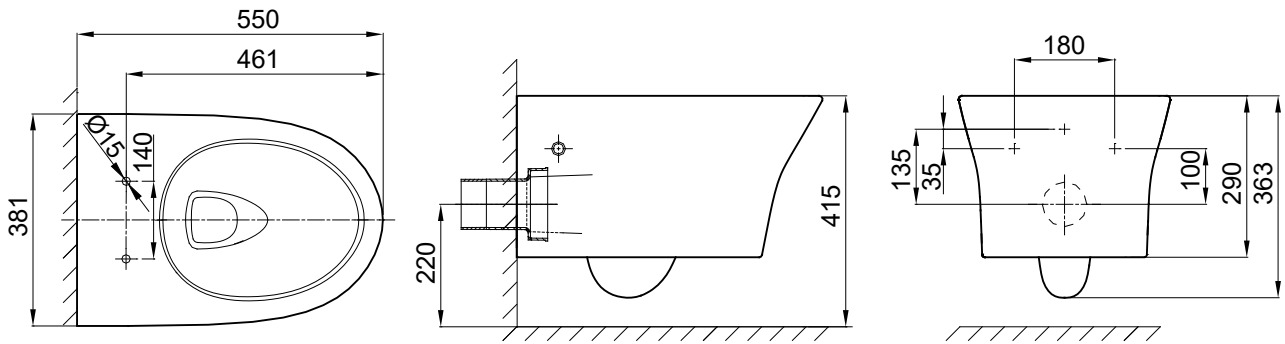


— x1

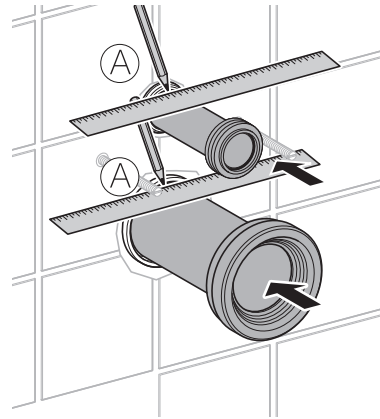
CCASC119-U20U420C0



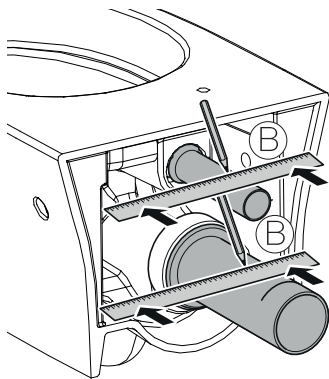
— x1



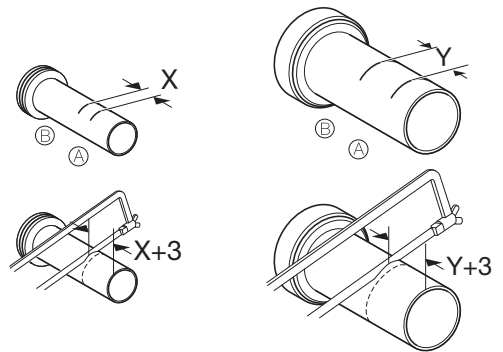
1



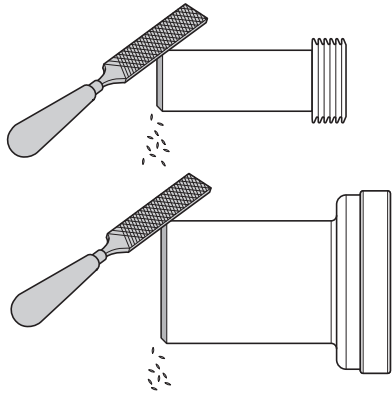
2



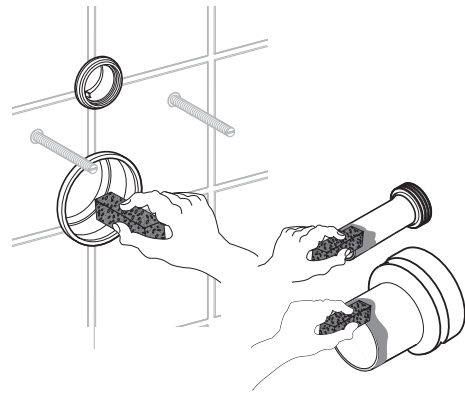
3



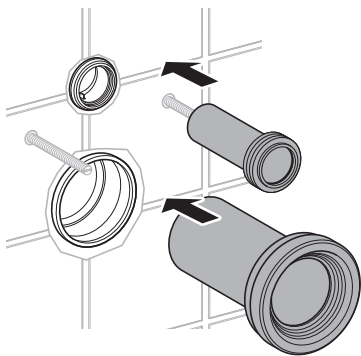
4



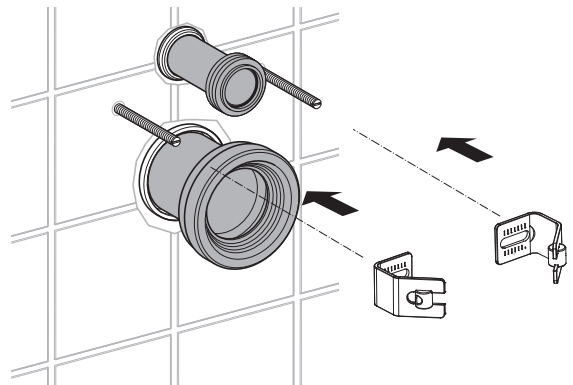
5



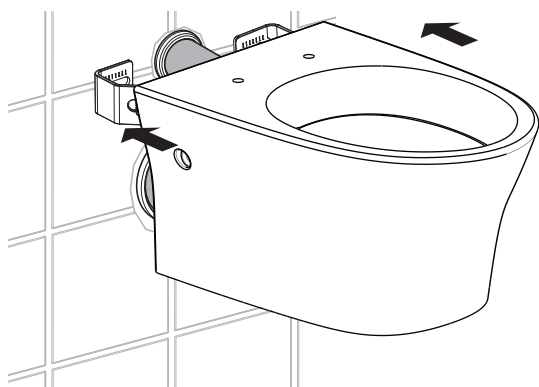
6



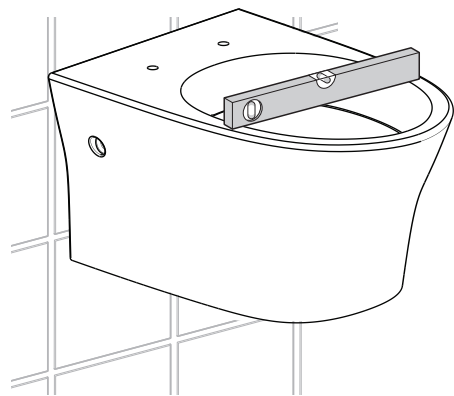
7



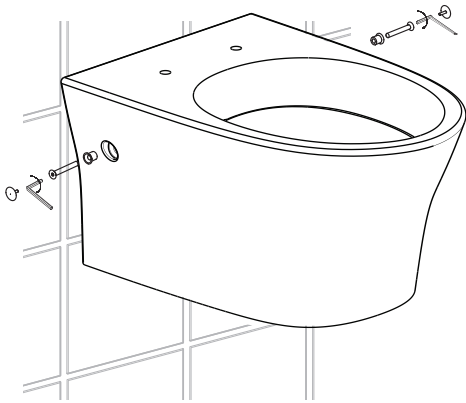
8



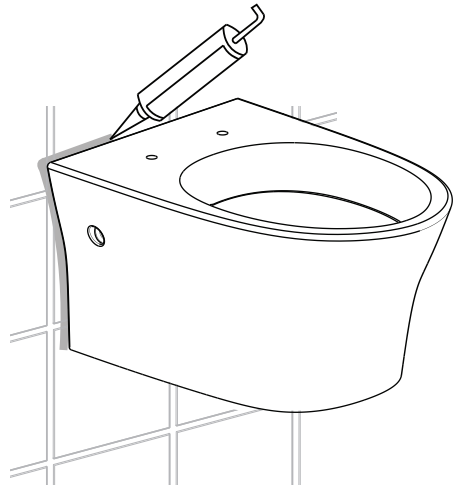
9



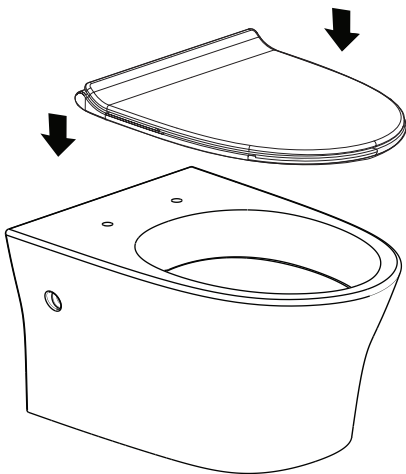
10



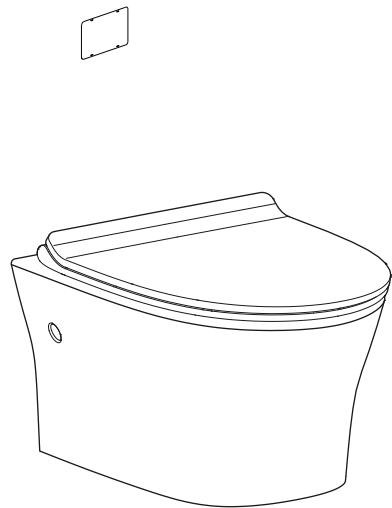
11



12

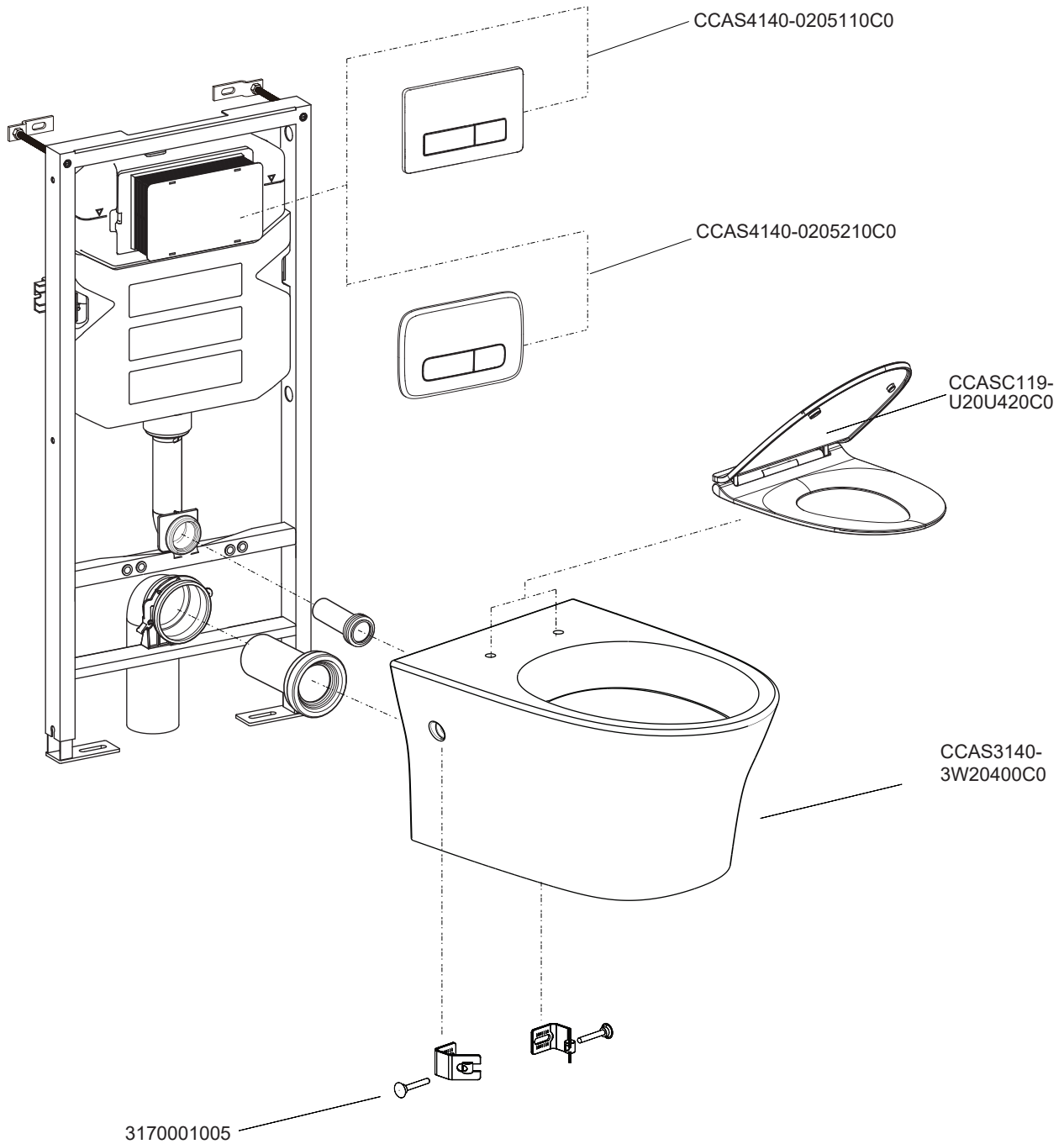


13



14

CCAS2140-
3P00410C0/
CCAS2140-
3P00420C0



BEFORE YOU BEGIN

- Thank you for selecting our products...products which have been the benchmarks of fine quality for years. To help ensure that the installation process will proceed smoothly, please read these instructions carefully before you begin. Also, review the recommended tools and materials list; carefully unpack and examine your new plumbing fixture.
- ALL INSTALLATION PROCEDURES MUST COMPLY IN STRICT ACCORDANCE WITH APPLICABLE LOCAL PLUMBING AND BUILDING CODE.
- This installation manual is only for installing the ceramic parts. For the tank trim or seat & cover or concealed tank installing, please refer to relative manual.
- Fragile products.
Be careful to avoid the risk of product break or personal injury.
- Pictures may not exactly define contour of china and components.

安装之前

- 感谢阁下选用我们的产品……我们的产品多年来一直是优良质量的标志。为了有助于安装顺利进行，请您在开始安装之前仔细阅读这些指南，也请查阅推荐的工具和材料表；小心打开您的新产品。
- 所有的安装程序必须严格遵从当地的卫浴和建筑法规条例。
- 此安装说明书只针对座厕部分的安装予以简要说明，水箱配件及盖板及隐藏式水箱的安装请分别参见相应的安装说明书。
- 易碎产品。
小心轻放以避免产品破碎和人身伤害。
- 图片可能与实物存在差异，请以实物为准。

NOTES

- Do not throw blocked material into the toilet, like newspaper, paper diaper, Sanitary napkin etc.
- Do not use heavy power to hit the product, avoid water leakage of product damage.
- Do not use the product when water temperature is below zero degree centigrade.
- The unit is millimeter by default, if the drawings are not indicate.

注意

- 请不要向便器内冲入新闻纸、纸尿垫、妇用卫生巾等容易堵塞的物品。
- 请不要用重力撞击陶瓷，以防止破损漏水。
- 不要在零摄氏度以下水的环境中使用。
- 尺寸图未标注单位的统一默认为毫米。

CODE LIST

KIT CODE: **CCAS2140-3P00410C0**

BOWL : CCAS3140-3W20400C0
CISTERN : CCAS4140-0205110C0
S&C : CCASC119-U20U420C0

KIT CODE: **CCAS2140-3P00420C0**

BOWL : CCAS3140-3W20400C0
CISTERN : CCAS4140-0205210C0
S&C : CCASC119-U20U420C0

Water consumption: 3/4.5L
Water efficiency grade: 1 Grade
Standard: GB25502-2017

型号清单

整体型号: **CCAS2140-3P00410C0**

座厕 : CCAS3140-3W20400C0
水箱 : CCAS4140-0205110C0
盖板 : CCASC119-U20U420C0

整体型号: **CCAS2140-3P00420C0**

座厕 : CCAS3140-3W20400C0
水箱 : CCAS4140-0205210C0
盖板 : CCASC119-U20U420C0

用水量: 3/4.5升
额定用水效率等级: 1级
标准号: GB25502-2017

TROUBLE SHOOTING GUIDE

Using this guide and referring to the accompanying instructions should help you solve most common problems encountered.

Problem	Possible Cause	To Correct
1. Poor flushing action	<ul style="list-style-type: none"> a. Water level in tank is below prescribelevel. b. Flush valve in tank closes too quickly or does not open. c. Flush handle or button needs replacing. d. Water pressure is too low. e. Partially clogged trapway and / or drainpipe. f. No air vent. g. Air tube leakage. 	<ul style="list-style-type: none"> a. Set to prescribed level. b. Make sure there are no any material stuck to flush valve. c. Replace. d. Normal water supply pressure must be at least 20 psi. e. Use a plunger or toilet augur to unclog. f. Install air vent per instructions. g. Reconnect air tube or change.
2. Water won't stop running	<ul style="list-style-type: none"> a. Water level in tank is higher than overflow pipe. b. Turn off the water supply. If water continues to flow into the bowl, check flush valve deformed or not, or check rubber gasket poor sealing or not. c. Turn off the water supply valve. If water continues to flow into the bowl until the water level falls to the level of the overflow pipe, sand or debris may be lodgeg in the water control mechanism. d. Air tube needs to replace 	<ul style="list-style-type: none"> a. Adjust the cylinder to maintain the water at the prescribed level. b. Replace seat, rubber seal disk, or complete assembly, as needed. c. Shut off water supply valve. Remove top cap of water control. Clean and reassemble, or replace plunger. d. Replace air tube.
3. Water supply hose leaks	<ul style="list-style-type: none"> a. Improper installation b. Water pressure is too high. 	<ul style="list-style-type: none"> a. Reinstall according to instructions. b. Water pressure must not exceed 80 psi.

一般故障排除指南

问题描述	潜在原因	解决办法
1. 冲水不良	<ul style="list-style-type: none"> a. 水位线比要求的低 b. 冲水阀关闭过快或没打开 c. 冲水按钮损坏需更换 d. 水压过低 e. 座厕排污水道或排污管堵塞 f. 楼房无管道排气孔 g. 气管漏气 	<ul style="list-style-type: none"> a. 重新调整水位至正确水位线 b. 检查有无脏物附着在出水阀 c. 更换 d. 正常水压必须高于20psi e. 清理堵塞 f. 安装管道排气孔 g. 重新连接气管或更换
2. 漏水	<ul style="list-style-type: none"> a. 水位过高，高于水件溢水口 b. 关闭进水角阀，若水仍不断渗入座厕，检查冲水阀是否变形，或橡胶密封不良 c. 关闭进水阀，水位线低于水件溢水口，若水仍不断渗入座厕，进水阀止水阀内可能有脏物 d. 冲水阀气管需更换 	<ul style="list-style-type: none"> a. 重新调整水位至正确水位线 b. 更换或调整橡胶密封圈或根据需要更换冲水阀 c. 关闭进水阀，卸下进水阀塑料帽，清洁后重新安装或更换止水阀阀芯 d. 更换气管
3. 进水管漏水	<ul style="list-style-type: none"> a. 安装不良 b. 水压过高 	<ul style="list-style-type: none"> a. 根据安装说明重新安装 b. 水压不得超过80psi

Do not use harsh abrasives or caustic cleansers to clean fixture surface. A mild detergent, warm water, and a soft cloth will remove normal dirt and soap accumulations from fittings and surfaces. Rinse thoroughly after cleaning and polish with a soft dry cloth to restore original luster of material.

⚠ NOTICE

DO NOT USE CLEANERS IN TANK. PRODUCTS CONTAINING CHLORINE (CALCIUM HYPOCHLORITE CAN SERIOUSLY DAMAGE FITTINGS IN THE TANK. THIS DAMAGE CAN CAUSE LEAKAGE AND PROPERTY DAMAGE. AMERICAN STANDARD SHALL NOT BE RESPONSIBLE OR LIABLE FOR ANY TANK FITTING DAMAGE CAUSED BY THE USE OF CLEANERS CONTAINING CHLORINE (CALCIUM HYPOCHLORITE).

当您清洁座厕时，请使用温和的肥皂水，然后用清水清洁并使用软布擦干。避免使用洗洁精、消毒剂，避免在气雾剂容器内清洁产品。杜绝使用颗粒状的清洁粉末或者在座厕上放置粗糙的座垫。一些浴室的化学药品和化妆品可能有害于座厕的光洁。

⚠ 警告

不要在水箱内使用清洁剂，含氯（次氯酸钙）的清洁剂会严重破坏水箱内的装置，从而引起渗漏或楼宇结构损坏。美标公司不会对由于使用此种含氯（次氯酸钙）的清洁剂而损坏水箱内装置负责或赔偿。