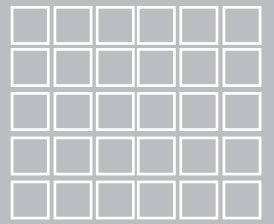
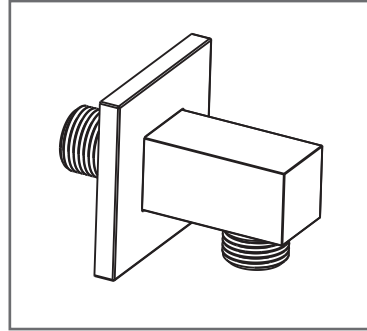


To ensure that your installation proceeds smoothly, please read this instructions carefully before you begin.
 为保证安装顺利，请在进行安装前细阅以下说明

American Standard

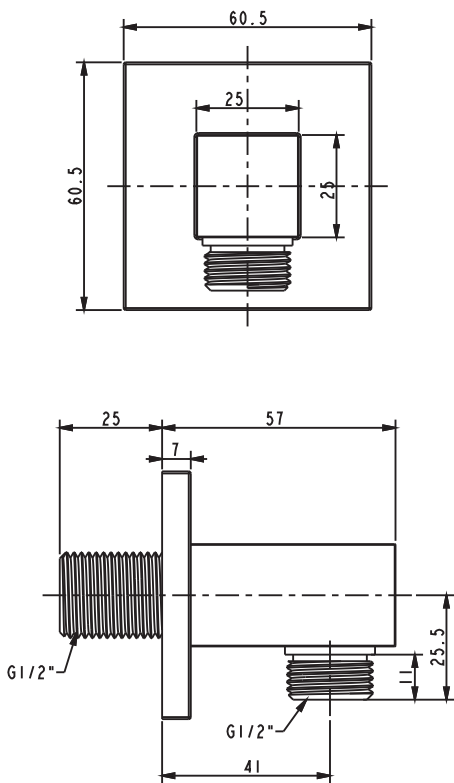
FFAS9142-000500BC0

Wall Outlet – Square (G1/2")
 入墙方形手持花洒接头

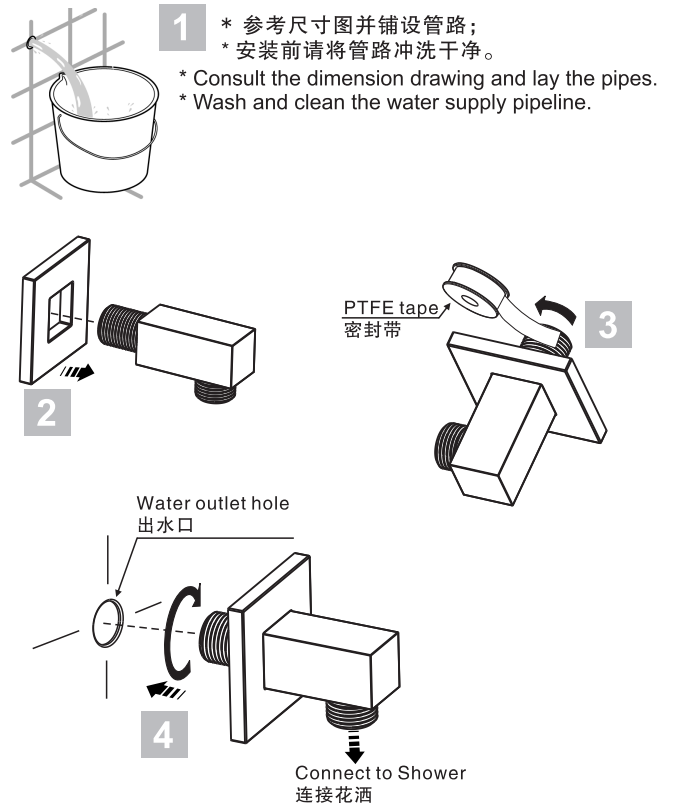


Installation &
 Operation Instruction
 安装/使用说明书

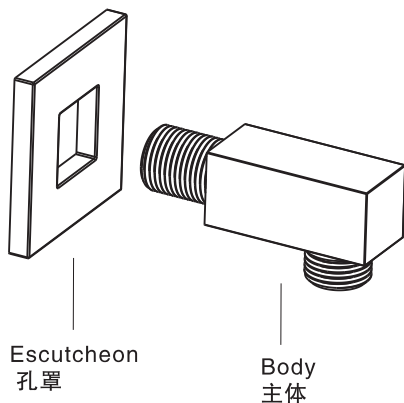
Dimension/基本尺寸图



Install/安装



Parts List/零件明细



Notice/注意

Remove all impurity in pipes before beginning to avoid clogging. Connect faucet pipes correctly. / 安装前请务必清理管中杂物，以免造成堵塞，正确连接管路
 When you repair the faucet you will need to shut off hot/cold water supply by closing the water supply. / 维护前请关闭冷热供水

Conditions for use / 使用条件

- * Water pressure condition/使用水压: 0.1MPa~0.75MPa (Recommended/推荐: 0.1MPa~0.5Mpa)
- * Environment Temperature/使用环境温度: 1°C~55°C
- * Not for use as a steam outlet. / 切勿使用蒸汽

Cleaning the surface of faucet / 表面清洁

- * Rinse the product with clean water. / 用清水清洗
- * Dry with soft cotton flannel cloth. / 用软棉布擦干
- * Do not clean the product with acid, polish, abrasives, harsh cleaners, or cloth with a harsh surface as these products may damage the finish. 切勿使用具研磨作用的清洁剂、布或纸巾；切勿使用含酸性的清洁剂、擦亮磨料、粗糙的清洁剂或肥皂