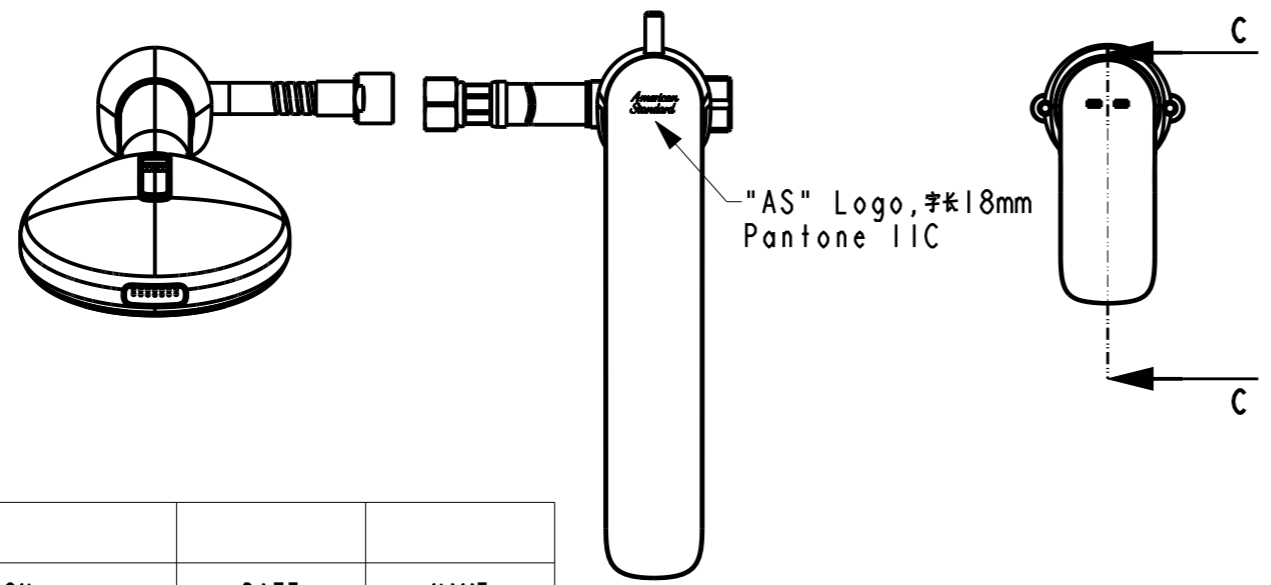
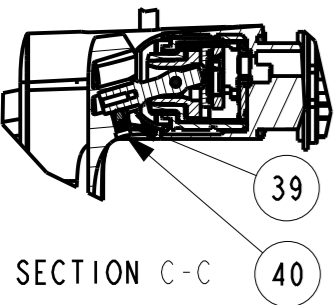
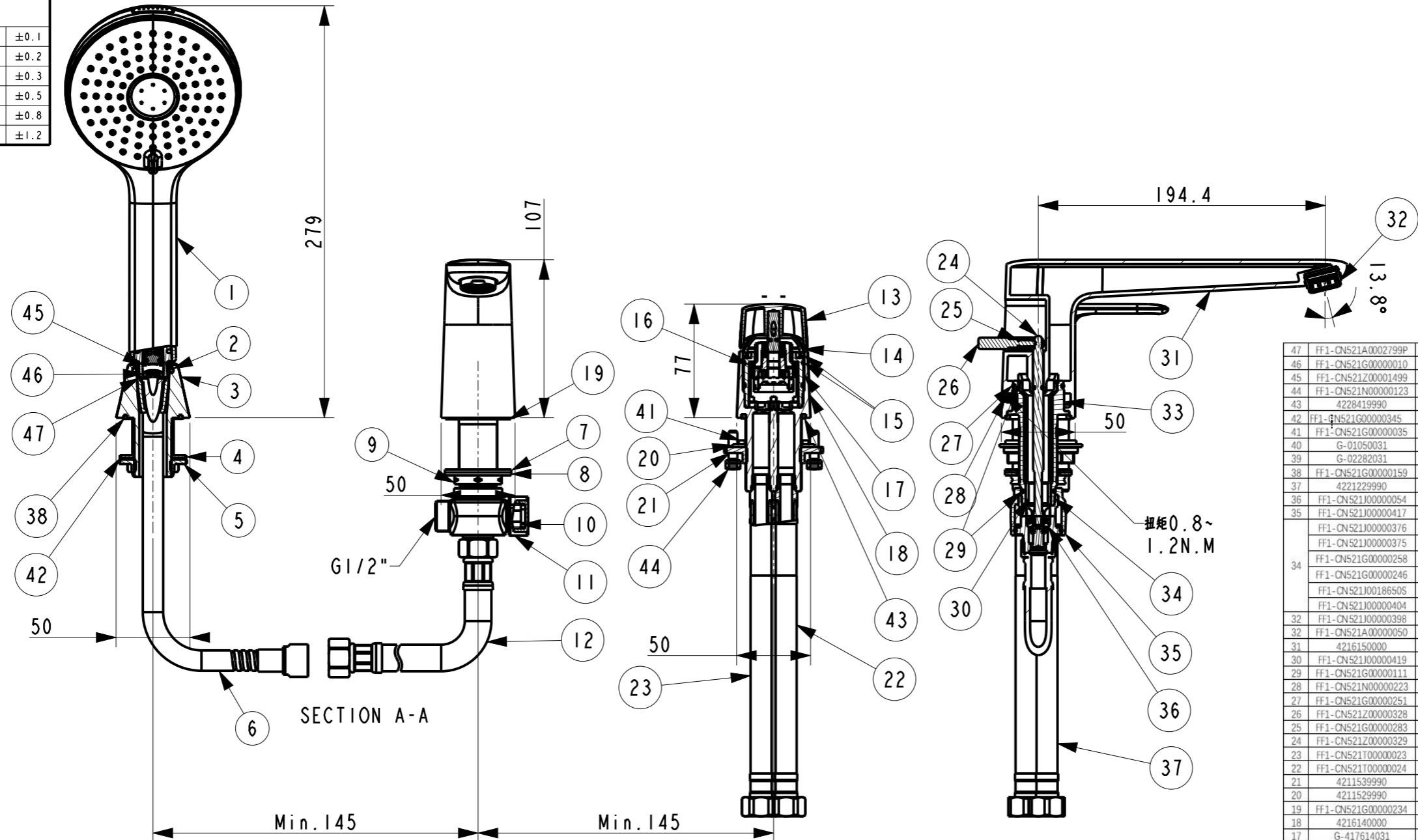


Tolerance, Unless Otherwise Stated, Is			
Above	0.5 to and including	6	±0.1
Excess	6 to and including	30	±0.2
Excess	30 to and including	120	±0.3
Excess	120 to and including	315	±0.5
Excess	315 to and including	1000	±0.8
Excess	1000 to and including	2000	±1.2



No.	Part No.	Part Name	QTY	Material	Remark
47	FF1-CN521A0002799P	花洒恒流器	1	Assembly	红色
46	FF1-CN521G00000010	O圈 8X3	1	NBR	黑色
45	FF1-CN521Z00001499	D1401S单向阀 (T10106)	1	Assembly	
44	FF1-CN521N00000123	内六角圆柱头螺钉M6X20	1	SUS304	
43	4228419990	洛文台面式浴缸龙头底座底部垫片	1	NBR	黑色
42	FF1-GN521G00000345	1591175099\橡胶皮垫圈-成品	1	NBR	黑色
41	FF1-CN521G00000035	平垫片 248*739*2.5	1	NBR	黑色
40	G-01050031	26.5橡胶把手孔塞-灰色	1	橡胶	灰色
39	G-02282031	内六角螺钉M6 x 6 - DIN 916	1	SUS304	
38	FF1-CN521G00000159	1581220699\O型环3.7*2.5	1	NBR	黑色
37	4221229990	洛文台面式浴缸龙头出水软管	1	Assembly	
36	FF1-CN521J00000054	1580322299\典雅台面式浴缸四通阀座-除铅	1	Hpb59-1	
35	FF1-CN521J000000417	158A921688\希丽亚台面式浴缸切换阀座(A921688)	1	Hpb59-1	
34	FF1-CN521J000000376	158A903812\希丽亚台面式浴缸导杆(A903812)	1	Hpb59-1	
	FF1-CN521J000000375	158A903386\希丽亚台面式浴缸止水座(A903386)	1	Hpb59-1	
	FF1-CN521G00000258	158A912645\O环(Φ3.68*Φ1.78)	1	NBR	
	FF1-CN521G00000246	158A912606\O环 Φ8*Φ2.4	2	NBR	
	FF1-CN521J0018650S	阿卡西亚台面式浴缸切换阀拉杆	1	Hpb59-1	
33	FF1-CN521J000000404	158A914614\希丽亚台面式浴缸限位片(A914614)	1	Hpb59-1	
32	FF1-CN521J000000398	158A911406\希丽亚台面式浴缸套管(A911406)	1	Hpb59-1	
31	FF1-CN521A00000050	M24X1浴缸起泡器组件 ((40.2007.03300))	1	Assembly	
30	4216150000	洛文台面式浴缸龙头出水口	1	GkM50fk	抛光镀铬
29	FF1-CN521J000000419	158A921723\希丽亚台面式浴缸连接管-除铅	1	Hpb59-1	
28	FF1-CN521G00000111	1581212599\O型圈 24*2 HS7	2	NBR	黑色
27	FF1-CN521N000000223	158A917227\希丽亚台面式浴缸内六角紧螺钉M6*8	1	SUS304	
26	FF1-CN521G00000251	158A912621\O型圈 Φ17*2	2	NBR	黑色
25	FF1-CN521Z00000328	158A909916\希丽亚台面式浴缸拉杆头(A909916)	1	Hpb59-1	镀铬
24	FF1-CN521Z00000329	158A909917\希丽亚台面式浴缸拉杆头连接杆(A909917)	1	Hpb59-1	镀铬
23	FF1-CN521T00000023	1582005799\逸魅尚落地式浴缸龙头进水软管(红)	1	Assembly	
22	FF1-CN521T00000024	1582005899\逸魅尚落地式浴缸龙头进水软管(蓝)	1	Assembly	
21	4211539990	洛文台面式浴缸固定螺母	1	SUS304	
20	4211529990	洛文台面式浴缸切换阀底部垫片	1	Hpb59-1	
19	FF1-CN521G00000234	158A911758\平垫片Φ41*Φ34*3(A911758)	1	NBR	
18	4216140000	洛文台面式浴缸龙头本体	1	GkM50fk	抛光镀铬
17	G-417614031	35mm 阀芯塑料螺母 (417614031)	1	PPS/GF40	黑色
16	FF1-CN521C0002499P	G35平脚阀芯 (408556840)	1	Assembly	
15	FF1-CN521G00000148	1581219099\O型圈 38*2.5	2	NBR	黑色
14	G-04457038	挂墙式浴缸龙头顶盖	1	ABS	镀铬
13	4228240000	洛文台式3孔单把浴缸龙头把手 (带丝印)	1	ZZnAL4-1	抛光镀铬
12	FF1-CN521T00000035	1582008099\G1/2"双螺帽大管径软管(400mm)	1	Assembly	
11	FF1-CN521J00000130	1580485499\入墙式感应小便冲洗头	1	Hpb59-1	
10	FF1-CN521G00000062	1581181499\平垫片 18.5*9.3*3	1	NBR	黑色
9	FF1-CN521N00000221	158A906626\希丽亚台面式浴缸紧螺母(A906626)	1	Hpb59-1	
8	FF1-CN521W00000043	158A914450\铜垫片Φ45*Φ28.5*2(A914450)	1	Hpb59-1	
7	FF1-CN521G00000345	1591175099\橡胶皮垫圈-成品	1	NBR	
6	FF1-CN521T00000029	1582006650\台面浴缸用防缠绕软管-1.5M 镀铬	1	Assembly	
5	FF1-CN521N00000012	1580481199\西华4inch 分体式牙管螺母	1	Hpb59-1	镀铬
4	FF1-CN521G00000370	1581187199\塑料垫片(Φ45XΦ29X1)	1	PE	透明
3	4212150000	洛文台面式浴缸龙头花洒插座	1	ZZnAL4-1	抛光镀铬
2	FF1-CN521G00000144	1581218699\O型圈 22*3.0	1	NBR	黑色
1	4204740000	净悦多功能手洒	1	Assembly	镀铬

DESIGNED	刘卫群	2024.6.30	TITLE
CHECKED	田光斌	2024.6.30	REF
APPROVED	郭志	2024.6.30	洛文单把台式浴缸龙头(三孔)-镀铬
SCALE	MATERIAL	WEIGHT	DWG NO.
3:10	Assembly		FFASIM00-601500BF0



REV	DESCRIPTION	DATE	NAME