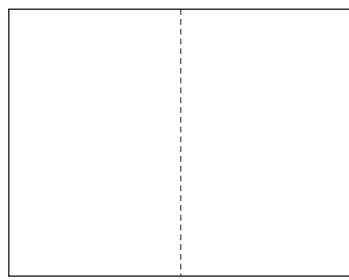


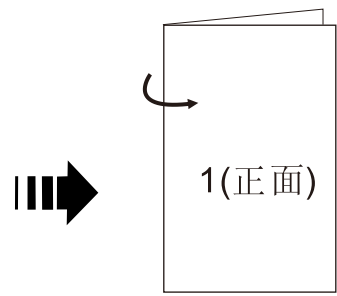
2019年11月14日

A/O

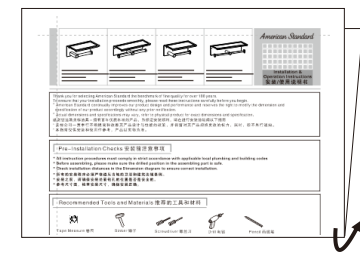
| Tolerance, Unless Otherwise Stated. Is | |
|--|------|
| Above 0.5 to and including 6 | ±0.1 |
| Excess 6 to and including 30 | ±0.2 |
| Excess 30 to and including 120 | ±0.3 |
| Excess 120 to and including 315 | ±0.5 |
| Excess 315 to and including 1000 | ±0.8 |
| Excess 1000 to and including 2000 | ±1.2 |



1、说明书 双面印刷完成
297*210 (A4) 共1页



2、说明书折叠



3、说明书折叠完成

制作说明:

- 1、说明书完成尺寸: 148.5*105
- 2、材料: 80克的白色纸
- 3、A4双面印制并折叠完成 (详看图示)
- 4、印刷颜色: 黑白
- 5、印刷时, 内容准确、清晰、墨色均匀、表面清洁。

| | |
|--|---|
| FFAS0498-908500BC0 Concept Square Single Tissue Holder w/ Shelf 概念方单纸巾架(带置物板) | FFAS1498-908500BC0 Concept Round Single Tissue Holder w/ Shelf 概念圆单纸巾架(带置物板) |
| FFAS0499-908500BC0 Concept Square Double Tissue Holders w/ Shelf 概念方双纸巾架(带置物板) | FFAS1499-908500BC0 Concept Round Double Tissue Holders w/ Shelf 概念圆双纸巾架(带置物板) |

| | | | | |
|----------|-------------|------------|--------------------|-------------------|
| DESIGN | 黄卓桓 | 2019.11.14 | TITLE | Instructions |
| CHECKED | 阮国林 | 2019.11.14 | REF | |
| APPROVED | 郭海亮 | 2019.11.14 | | |
| SCALE | MATERIAL | WEIGHT | DWG NO. | 中英文说明书 |
| REV | DESCRIPTION | DATE | NAME | |
| | | | FF1-CN521K00404899 | American Standard |

Care & Maintenance 维护与保养

**⚠ For safety reasons, please refrain from placing heavy items on top of the shelf.
(weight limit no more than 5kg)**

* To keep the product clean, please follow these simple care instructions:

- DO: 1. Wipe the product clean with a damp cloth.
2. Dry the product with a soft cotton cloth.

- DO NOT: - Do not use any abrasive cleansers, cloths, or paper towels.
- Do not use any cleaning agents containing acids, polish abrasives, or harsh cleaners or soaps.

* Regular and routine cleaning will reduce the need for heavy cleaning and polishing. If heavy cleaning is required, the following procedures are recommended:

- DO: 1. Remove as much surface dirt and film using a damp cloth.
2. Use any of the following to remove tough surface film and build-up:
- Mild liquid detergents
- Clear liquid glass cleaners
- Non-acidic, non-abrasive gentle liquid or fully dissolved powder cleansers mixed according to manufacturers directions
- Non-abrasive liquid polishers
3. Once clean, thoroughly wipe product again with damp cloth to remove cleaner or polish and dry with soft cotton cloth.

If you have any doubts or questions concerning care and maintenance of your product, please contact your local American Standard representative.

⚠ 为保障挂具的承重安全，请不要在上面放置太重的物体，正常安装状态下，产品承重不可大于5公斤。

* 为保持镀层光洁晶亮，请遵照下列的简单护理指示：

- 应做： 1. 只用清水漂净。
2. 用软棉布抹干。

- 不应做： - 切勿使用任何具研磨作用的清洁剂、布或纸巾。
- 切勿使用任何含有酸性的清洁剂、擦亮磨料、或粗糙的清洁剂或肥皂。

* 定期及经常清洁表面镀层，可减少大型清洁及擦亮工作的需要，如需进行大型清洁工作，请遵照下列程序：

- 应做： 1. 使用清水及软棉布（如上述一样），尽量清除表面污垢及垢膜。
2. 使用下列任何一款清洁剂，清除难以除去的表面垢膜及污渍：
（温和的液体清洁剂）；（无色的玻璃清洁剂）；（不含酸性，不具研磨作用的温和液体或可完全溶解的粉状清洁剂〈需按制造指示混合〉）；（不含磨损作用的擦亮液）。
3. 清洁完成后，请用清水再次清洗，以去除全部清洁剂，并用软棉布抹干。

有关护理及维修的疑问或查询，请与当地的美标经销商联络。

关于质保：

为保障您的合法权益，请您联系购买商家或经销商索取电子质保卡，或微信关注“美标品质服务”公众号，通过“我的美标”→

“质保信息”→“验证身份”后，在线申请电子质保卡。

若有任何疑问，可联络离您最近的美标公司售后服务中心，或拨打美标全国免费电话进行咨询。

全国免费电话：400-820-3191（固话用户/手机用户）

800-820-3191（固话用户）

美标官方售后微信账号：美标品质服务



仅限中国市场
Only applicable within China

Warranty:

Subject to local warranty terms.

Visit americanstandard-apac.com or contact your local American Standard representative for specific warranty information.

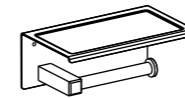


Attention:
Please leave the manual
with the user after installation.

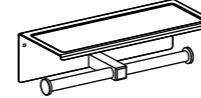
安装者注意：
安装完成后，请将此说明书留给用户。

2019年11月14日

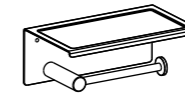
A/O



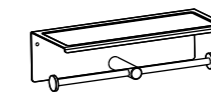
FFAS0498-908500BC0
Concept Square Single Tissue
Holder w/ Shelf
概念方单纸巾架(带置物板)



FFAS0499-908500BC0
Concept Square Double Tissue
Holders w/ Shelf
概念方双纸巾架(带置物板)



FFAS1498-908500BC0
Concept Round Single Tissue
Holder w/ Shelf
概念圆单纸巾架(带置物板)



FFAS1499-908500BC0
Concept Round Double Tissue
Holders w/ Shelf
概念圆双纸巾架(带置物板)

American Standard

Installation/Operating
Manual
安装/使用说明书

Thank you for selecting American Standard, the benchmark of fine quality for over 100 years.

To ensure that your installation proceeds smoothly, please read these instructions carefully before you begin.

* American Standard continually improves our product design and performance. American Standard reserves the right to modify the dimensions and specifications of our product accordingly without any prior notification.

* Actual dimensions and specifications may vary, refer to physical product for exact dimensions and specifications.

感谢您选购美标洁具 - 拥有百年优质水准的产品，为保证安装顺利，请在进行安装前细阅以下指南

* 美标公司一贯奉行不断提高和改善其产品设计及性能的政策，并保留对其产品规格更改的权力，届时，恕不另行通知。

* 本指南仅供安装和使用作参考，产品以实物为准。

Pre-Installation Checks 安装前注意事项

* All instruction procedures must comply in strict accordance with applicable local plumbing and building codes.

* Before assembling, please make sure the drilled position in the assembling part is safe.

* Check installation distances in the dimension diagram to ensure correct installation.

* 所有的安装程序必须严格遵从当地的卫浴和建筑法规条例。

* 安装之前，请确保安装处要钻孔的位置是否是安全的。

* 参考尺寸图，检查安装尺寸，确保安装正确。

Recommended Tools and Materials 推荐的工具和材料



Tape Measure 卷尺



Hammer 锤子



Screwdriver 螺丝刀



Drill 电钻

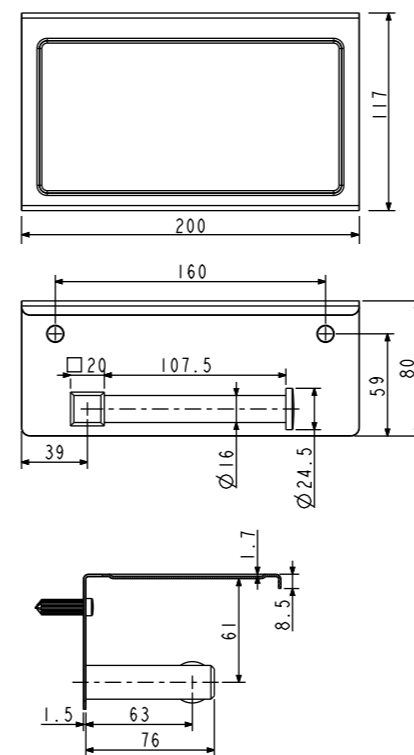


Pencil 画线笔

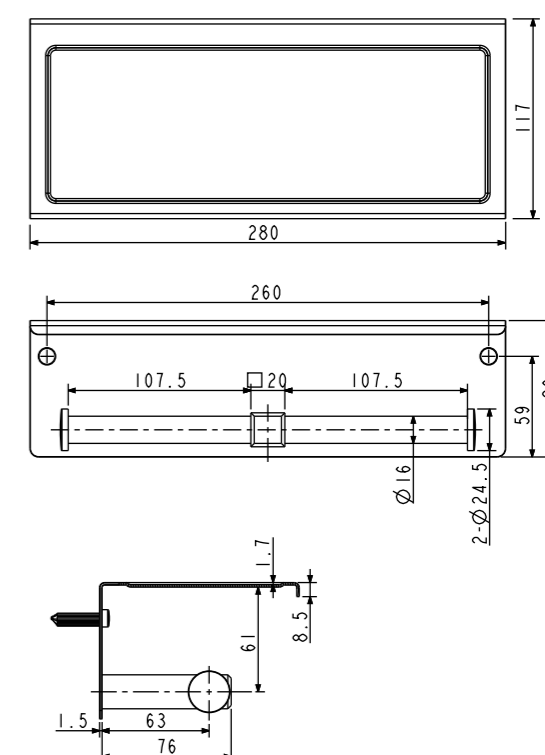
Dimensions 基本尺寸

Unit: mm
单位: 毫米

FFAS0498-908500BC0



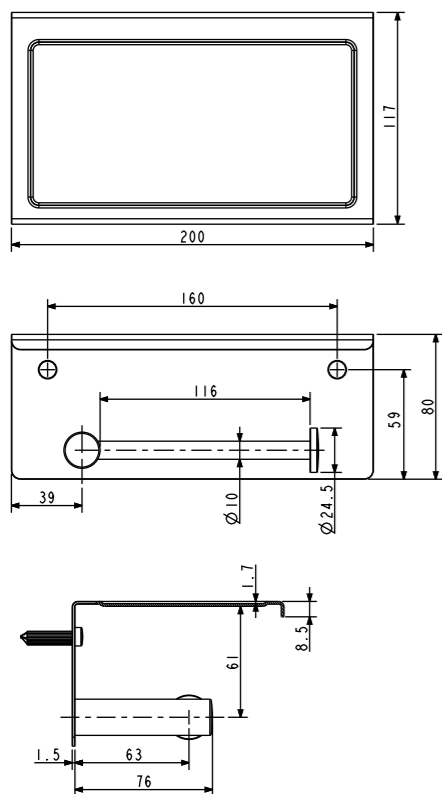
FFAS0499-908500BC0



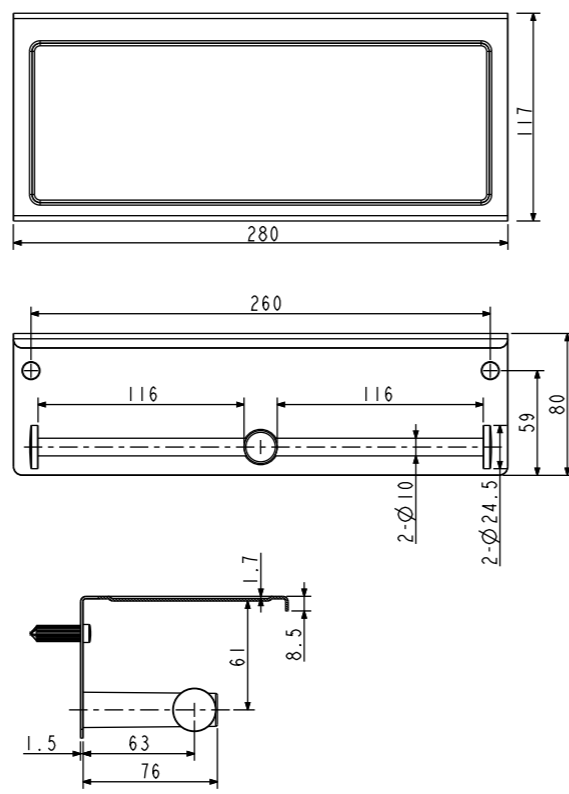
Dimensions 基本尺寸

Unit: mm
单位: 毫米

FFAS1498-908500BC0

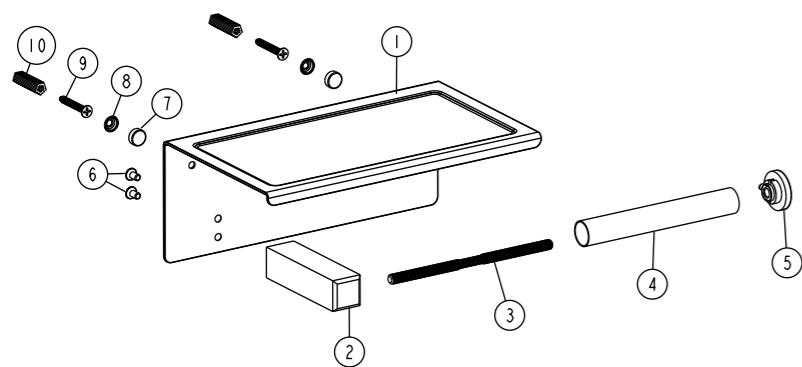


FFAS1499-908500BC0



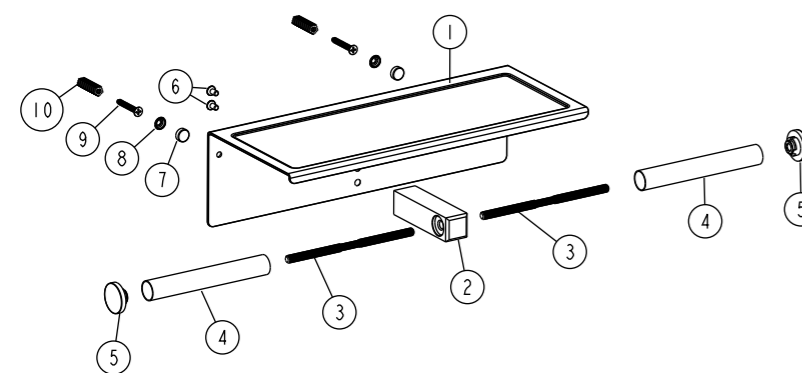
2019年11月14日
A/O

Parts List 零件明细



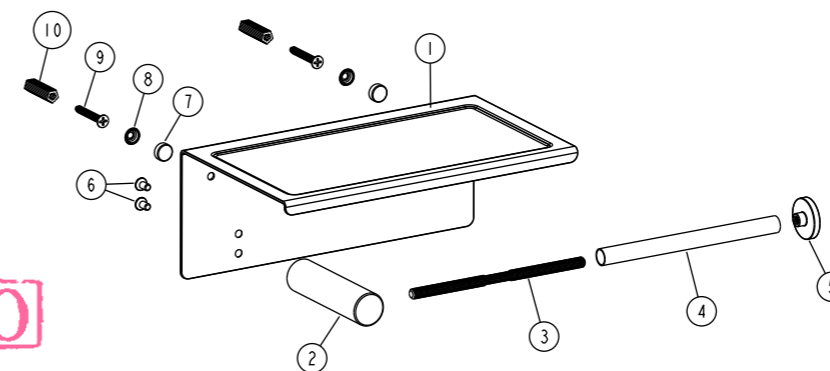
FFAS0498-908500BC0

| No. | Parts Name | Q'ty |
|-----|----------------------|------|
| 1 | Body 主体 | 1 |
| 2 | Supporting rod 支撑杆 | 1 |
| 3 | Bolt 螺栓 | 1 |
| 4 | Bar 套杆 | 1 |
| 5 | Buckle 装饰扣 | 1 |
| 6 | Screw 螺钉 | 2 |
| 7 | Cap 装饰盖 | 2 |
| 8 | Mounting base 安装座 | 2 |
| 9 | Screw 自攻螺钉 | 2 |
| 10 | Expansion anchor 膨胀套 | 2 |



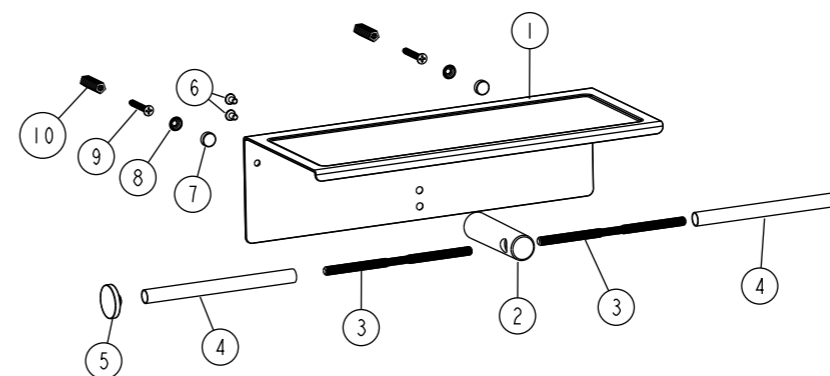
FFAS0499-908500BC0

| No. | Parts Name | Q'ty |
|-----|----------------------|------|
| 1 | Body 主体 | 1 |
| 2 | Supporting rod 支撑杆 | 1 |
| 3 | Bolt 螺栓 | 2 |
| 4 | Bar 套杆 | 2 |
| 5 | Buckle 装饰扣 | 2 |
| 6 | Screw 螺钉 | 2 |
| 7 | Cap 装饰盖 | 2 |
| 8 | Mounting base 安装座 | 2 |
| 9 | Screw 自攻螺钉 | 2 |
| 10 | Expansion anchor 膨胀套 | 2 |



FFAS1498-908500BC0

| No. | Parts Name | Q'ty |
|-----|----------------------|------|
| 1 | Body 主体 | 1 |
| 2 | Supporting rod 支撑杆 | 1 |
| 3 | Bolt 螺栓 | 1 |
| 4 | Bar 套杆 | 1 |
| 5 | Buckle 装饰扣 | 1 |
| 6 | Screw 螺钉 | 2 |
| 7 | Cap 装饰盖 | 2 |
| 8 | Mounting base 安装座 | 2 |
| 9 | Screw 自攻螺钉 | 2 |
| 10 | Expansion anchor 膨胀套 | 2 |



FFAS1499-908500BC0

| No. | Parts Name | Q'ty |
|-----|----------------------|------|
| 1 | Body 主体 | 1 |
| 2 | Supporting rod 支撑杆 | 1 |
| 3 | Bolt 螺栓 | 2 |
| 4 | Bar 套杆 | 2 |
| 5 | Buckle 装饰扣 | 2 |
| 6 | Screw 螺钉 | 2 |
| 7 | Cap 装饰盖 | 2 |
| 8 | Mounting base 安装座 | 2 |
| 9 | Screw 自攻螺钉 | 2 |
| 10 | Expansion anchor 膨胀套 | 2 |

Installation 安装

Diameter ϕ 6mm/Depth 30mm
孔径 ϕ 6mm/孔深30mm

160mm FFAS0498-908500BC0
FFAS1498-908500BC0

260mm FFAS0499-908500BC0
FFAS1499-908500BC0

