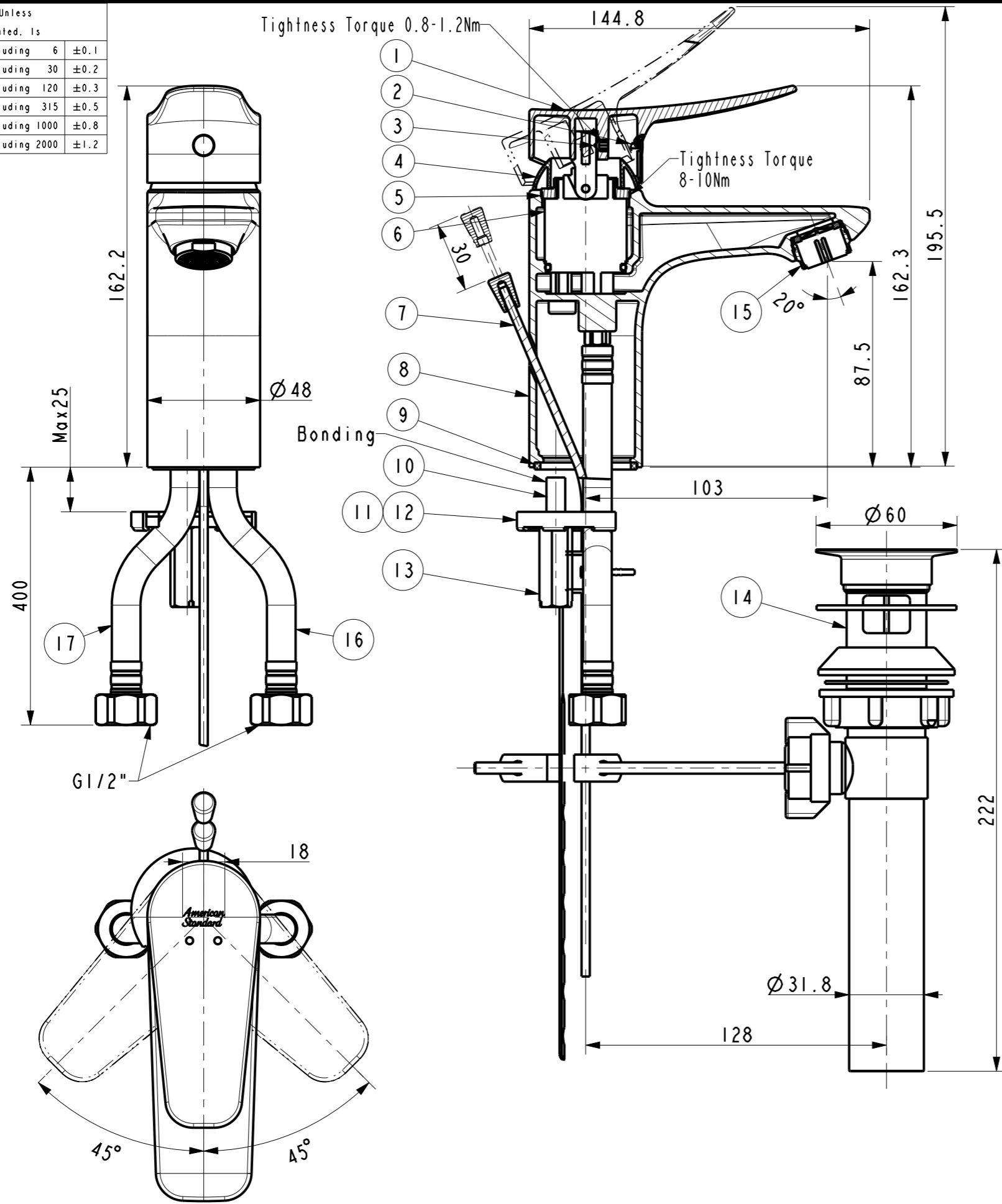


Tolerance, Unless Otherwise Stated, Is			
Above 0.5 to and including 6	±0.1	6	±0.1
Excess 6 to and including 30	±0.2	30	±0.2
Excess 30 to and including 120	±0.3	120	±0.3
Excess 120 to and including 315	±0.5	315	±0.5
Excess 315 to and including 1000	±0.8	1000	±0.8
Excess 1000 to and including 2000	±1.2	2000	±1.2



17	FF1-CN521T0004899P	Single hole inlet hose (PEX,red,450mm)	1
16	FF1-CN521T0004999P	Single hole inlet hose (PEX,blue,450mm)	1
15	FF1-CN521A00000029	WELS 4 star Aerator (40.2057.330)	1
14	FF1-CN521X00004650	PA Brass-Plastic Drain (Cr)	1
13	FF1-CN521N00000073	Improve GNV Sgl Hole FT LockNut	1
12	FF1-CN521G00000238	Gasket(A911942)	1
11	FF1-CN521J00000432	Iron Plate	1
10	FF1-CN521Z00000438	MOUNTING STUD-SF1520,N	1
9	FF1-CN521G00000067	Washer for Saga Single-hole	1
8	FFZZ0901-10150BDPL	Body for Milano SH Lava. Fauc	1
7	FF1-CN521Z00000300	Lift Rod for Neo Modern	1
6	FF1-CN521C0003599P	C35G High Foot Cartridge (KC-35B)	1
5	FF1-CN521N00000091	Lock Nut for Minimalistic	1
4	FF1-CN521F00000026	Cartridge Cover For Active Exposed BnS	1
3	FF1-CN521N00000228	Screw M5*6	1
2	FF1-CN521Z00000086	Index Button for TONIC Fitting line	1
1	FF1-CN521L00000046	Handle for New Mass SH -Typeb	1
NO.	PART NO.	PART NAME	QTY

DESIGNED			TITLE
CHECKED			REF
APPROVED			Milano SH Basin Mixer
SCALE	MATERIAL	WEIGHT	DWG NO.
1:2	Assem		FFAS0901-102500BC0



REV	DESCRIPTION	DATE	NAME