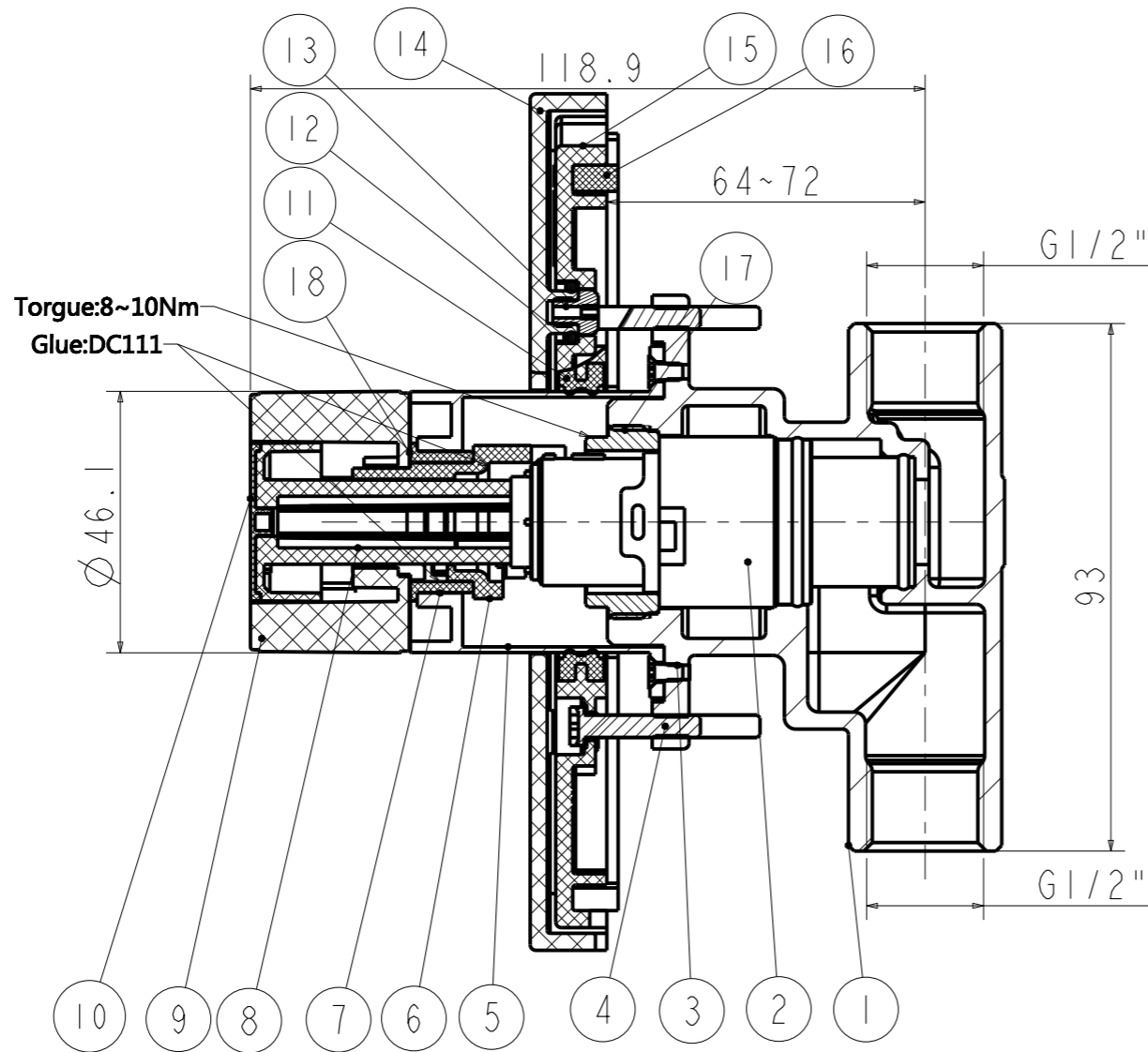
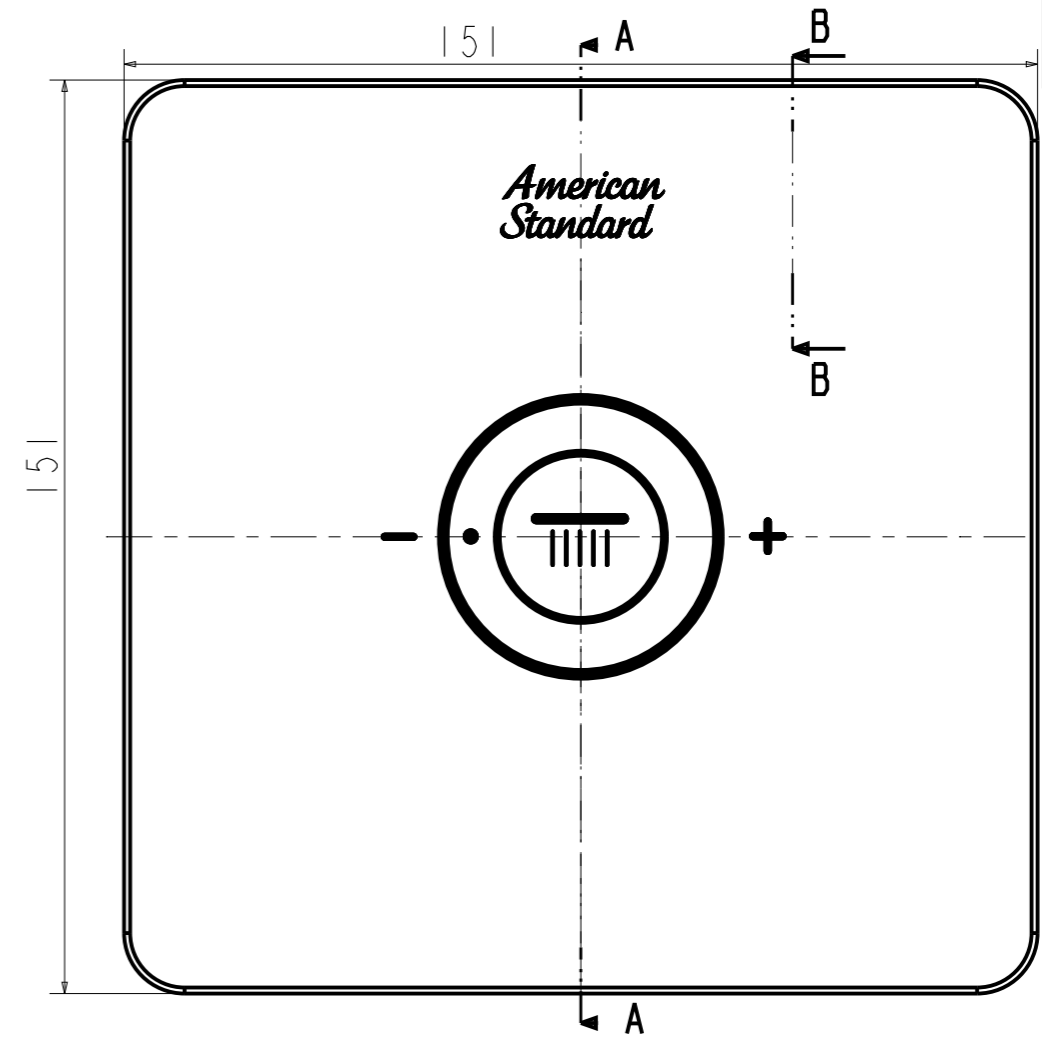
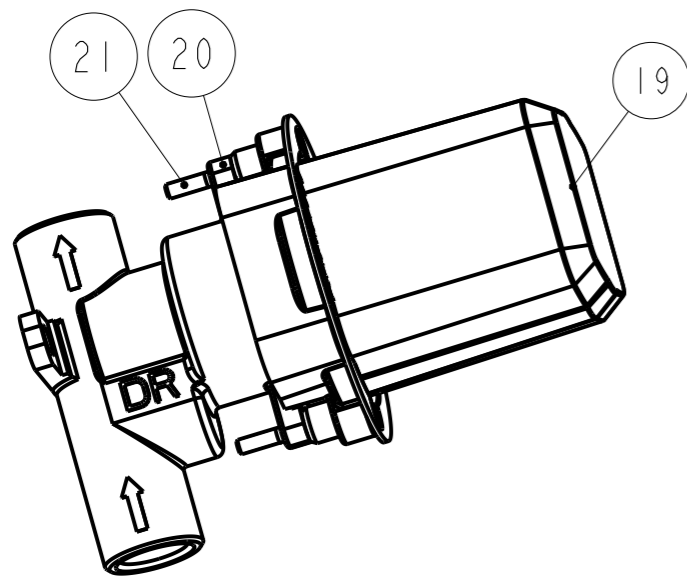


Tolerance, Unless Otherwise Stated, Is			
Above	0.5 to and including	6	±0.1
Excess	6 to and including	30	±0.2
Excess	30 to and including	120	±0.3
Excess	120 to and including	315	±0.5
Excess	315 to and including	1000	±0.8
Excess	1000 to and including	2000	±1.2



SECTION A-A
B-B
SCALE 0.800



21	FF1-CN521N00000268	Screw (M4X20)	2	SUS304	
20	FF1-CN521J00000338	Bushing	2	POM	
19	FF1-CN521Z00000212	Protect Cover For Inwall Shower	1	PP	
18	FF1-CN521G00003799P	Washer (26*21*0.2)	1	NBR	
17	FF1-CN521N000002299	Locking Nut Push Button Valve	1	Hpb59-1	
16	FF1-CN521K00000034	Foam Washer for Noble In-Wal	1	EVA	
15	FF1-CN521F00000014	Fixing Plate for Concealed Sh	1	ABS	
14	FF1-CN521F00000265	Escutcheon for Easy Dial control Valve	1	ABS	Chrome
13	FF1-CN521J00000214	Fix Pin for Universal Conceal	4	Hpb59-1	Chrome
12	FF1-CN521G00000291	O-Ring	4	EPDM	
11	FF1-CN521G00000206	Ø46 Seal Ring	1	NBR	
10	FF1-CN521F0004450P	Handle Cover for Easy Dial (hand shower)	1	ABS	Chrome
9	FF1-CN521L0004150P	Handle for Easy Dial	1	ABS	Chrome
8	FF1-CN521J0010409P	Handle Button for Easy Dial (white)	1	POM	
7	FF1-CN521J0010599P	Handle Bushing for Easy Dial	1	POM	
6	FF1-CN521J0010699P	Handle Connector for Easy Dial	1	POM	
5	FF1-CN521J0010850B	Cartridge bushing for Easy Dial	1	Hpb59-1	Chrome
4	FF1-CN521N00000185	SCREW	2	SUS304	
3	FF1-CN521N00000269	Screw for Minimalistic Sig Hole Lava	2	SUS304	
2	FF1-CN521C00000499	Push Button Cartridge	1	Assembly	
1	FFZZ0021-0010599MC	Body For Push Button Valve	1	DZR	
NO.	PART NO.	PART NAME	QTY	MATERIAL	FINISH

DESIGNED	CHECKED	APPROVED	SCALE	MATERIAL	WEIGHT	TITLE
			4:5	Assembly		REF EasySET Control Valve for Head Shower
						DWG NO. FFAS0926-709500BC0

REV	DESCRIPTION	DATE	NAME

American Standard