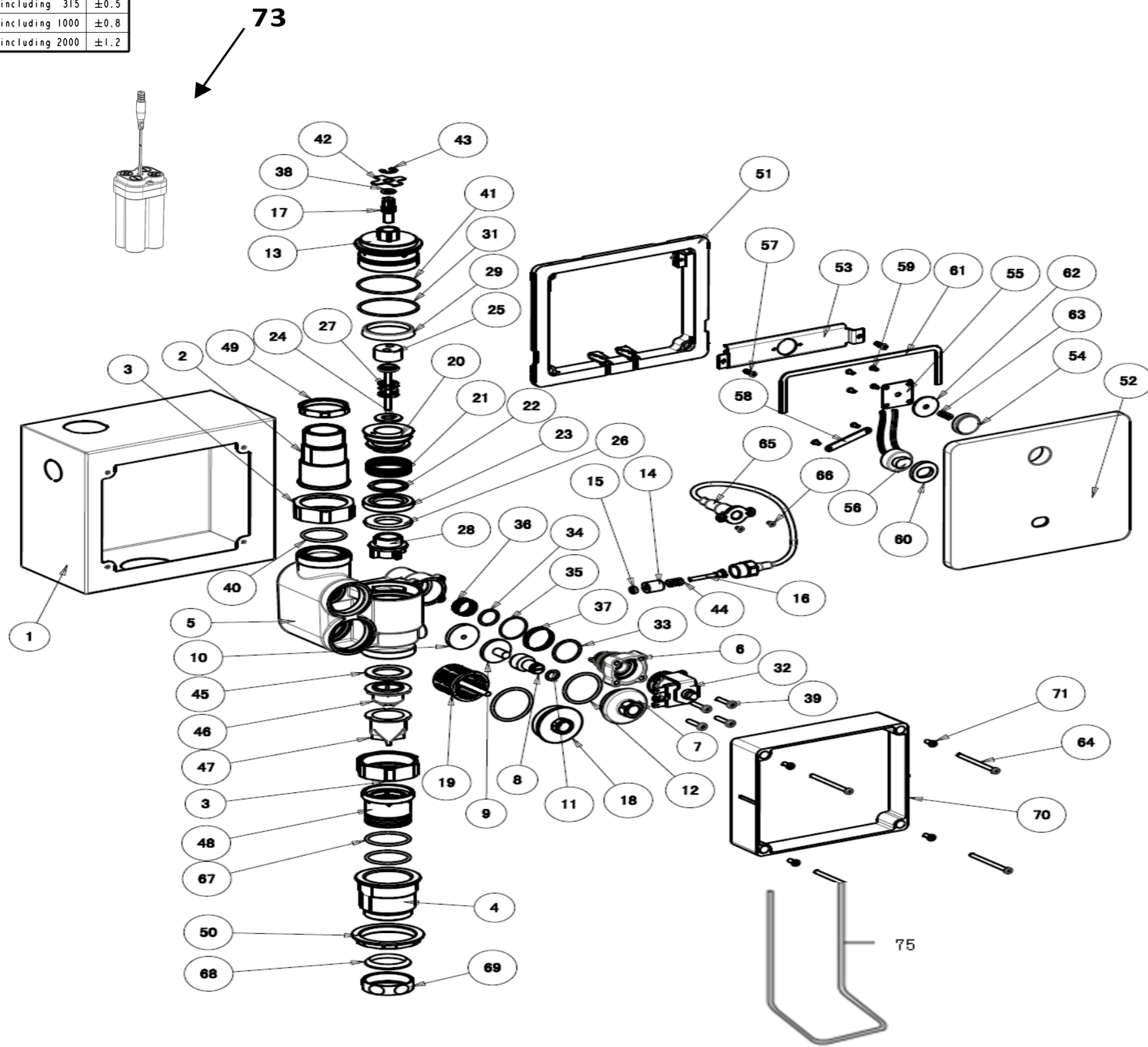


Tolerance, Unless Otherwise Stated, Is			
Above	0.5 to and including	6	±0.1
Excess	6 to and including	30	±0.2
Excess	30 to and including	120	±0.3
Excess	120 to and including	315	±0.5
Excess	315 to and including	1000	±0.8
Excess	1000 to and including	2000	±1.2



REV	PART NO.	PART NAME	QTY	MATERIAL	FINISH
75	PP1-476521 000000431	1284432220的滤芯入罐式滤芯(1600000)	1	SAE304	
74	PP1-476521 000000430	1284432220的滤芯入罐式滤芯(1600000)	1	SAE304	
73	PP1-476521 000000189	1281181289的平垫片 31*16.3*0.8	1	SAE304	
72	PP1-476521 000000188	1281181289的平垫片 31*16.3*0.8	1	SAE304	
71	PP1-476521 000000471	1284182124的滤芯入罐式滤芯(1600000)	1	SAE304	
70	PP1-476521 000000117	1284182124的滤芯入罐式滤芯(1600000)	1	SAE304	
69	PP1-476521 000000185	1281181289的平垫片 31*16.3*0.8	1	SAE304	
68	PP1-476521 000000116	1281181289的平垫片 31*16.3*0.8	1	SAE304	
67	PP1-476521 000000129	1281181289的平垫片 31*16.3*0.8	1	SAE304	
66	PP1-476521 000000454	1284182124的滤芯入罐式滤芯(1600000)	1	SAE304	
65	PP1-476521 000000262	1284182124的滤芯入罐式滤芯(1600000)	1	SAE304	
64	PP1-476521 000000177	1284182124的滤芯入罐式滤芯(1600000)	1	SAE304	
63	PP1-476521 000000276	1284182124的滤芯入罐式滤芯(1600000)	1	SAE304	
62	PP1-476521 000000230	1284182124的滤芯入罐式滤芯(1600000)	1	SAE304	
61	PP1-476521 000000063	1281181289的平垫片 31*16.3*0.8	1	SAE304	
60	PP1-476521 000000187	1281181289的平垫片 31*16.3*0.8	1	SAE304	
59	PP1-476521 000000061	1281181289的平垫片 31*16.3*0.8	1	SAE304	
58	PP1-476521 000000249	1284182124的滤芯入罐式滤芯(1600000)	1	SAE304	
57	PP1-476521 000000026	1284182124的滤芯入罐式滤芯(1600000)	1	SAE304	
56	PP1-476521 000000054	1284182124的滤芯入罐式滤芯(1600000)	1	SAE304	
55	PP1-476521 000000057	1284182124的滤芯入罐式滤芯(1600000)	1	SAE304	
54	PP1-476521 000000062	1284182124的滤芯入罐式滤芯(1600000)	1	SAE304	
53	PP1-476521 000000061	1284182124的滤芯入罐式滤芯(1600000)	1	SAE304	
52	PP1-476521 000000027	1284182124的滤芯入罐式滤芯(1600000)	1	SAE304	
51	PP1-476521 000000025	1284182124的滤芯入罐式滤芯(1600000)	1	SAE304	
50	PP1-476521 000000454	1284182124的滤芯入罐式滤芯(1600000)	1	SAE304	
49	PP1-476521 000000214	1284182124的滤芯入罐式滤芯(1600000)	1	SAE304	
48	PP1-476521 000000100	1281181289的平垫片 31*16.3*0.8	1	SAE304	
47	PP1-476521 000000100	1281181289的平垫片 31*16.3*0.8	1	SAE304	
46	PP1-476521 000000033	1281181289的平垫片 31*16.3*0.8	1	SAE304	
45	PP1-476521 000000059	1281181289的平垫片 31*16.3*0.8	1	SAE304	
44	PP1-476521 000000150	1281181289的平垫片 31*16.3*0.8	1	SAE304	
43	PP1-476521 000000059	1281181289的平垫片 31*16.3*0.8	1	SAE304	
42	PP1-476521 000000114	1281181289的平垫片 31*16.3*0.8	1	SAE304	
41	PP1-476521 000000116	1281181289的平垫片 31*16.3*0.8	1	SAE304	
40	PP1-476521 000000099	1284182124的滤芯入罐式滤芯(1600000)	1	SAE304	
39	PP1-476521 000000115	1281181289的平垫片 31*16.3*0.8	1	SAE304	
38	PP1-476521 000000102	1281181289的平垫片 31*16.3*0.8	1	SAE304	
37	PP1-476521 000000103	1281181289的平垫片 31*16.3*0.8	1	SAE304	
36	PP1-476521 000000121	1281181289的平垫片 31*16.3*0.8	1	SAE304	
35	PP1-476521 000000152	1281181289的平垫片 31*16.3*0.8	1	SAE304	
34	PP1-476521 000000111	1281181289的平垫片 31*16.3*0.8	1	SAE304	
33	PP1-476521 000000067	1284182124的滤芯入罐式滤芯(1600000)	1	SAE304	
32	PP1-476521 000000125	1281181289的平垫片 31*16.3*0.8	1	SAE304	
31	PP1-476521 000000177	1281181289的平垫片 31*16.3*0.8	1	SAE304	
30	PP1-476521 000000182	1281181289的平垫片 31*16.3*0.8	1	SAE304	
29	PP1-476521 000000186	1281181289的平垫片 31*16.3*0.8	1	SAE304	
28	PP1-476521 000000101	1281181289的平垫片 31*16.3*0.8	1	SAE304	
27	PP1-476521 000000051	1281181289的平垫片 31*16.3*0.8	1	SAE304	
26	PP1-476521 000000193	1281181289的平垫片 31*16.3*0.8	1	SAE304	
25	PP1-476521 000000047	1281181289的平垫片 31*16.3*0.8	1	SAE304	
24	PP1-476521 000000016	1284182124的滤芯入罐式滤芯(1600000)	1	SAE304	
23	PP1-476521 000000048	1281181289的平垫片 31*16.3*0.8	1	SAE304	
22	PP1-476521 000000104	1281181289的平垫片 31*16.3*0.8	1	SAE304	
21	PP1-476521 000000101	1281181289的平垫片 31*16.3*0.8	1	SAE304	
20	PP1-476521 000000059	1281181289的平垫片 31*16.3*0.8	1	SAE304	
19	PP1-476521 000000457	1284182124的滤芯入罐式滤芯(1600000)	1	SAE304	
18	PP1-476521 000000060	1284182124的滤芯入罐式滤芯(1600000)	1	SAE304	
17	PP1-476521 000000024	1284182124的滤芯入罐式滤芯(1600000)	1	SAE304	
16	PP1-476521 000000024	1284182124的滤芯入罐式滤芯(1600000)	1	SAE304	
15	PP1-476521 000000029	1284182124的滤芯入罐式滤芯(1600000)	1	SAE304	
14	PP1-476521 000000272	1284182124的滤芯入罐式滤芯(1600000)	1	SAE304	
13	PP1-476521 000000057	1284182124的滤芯入罐式滤芯(1600000)	1	SAE304	
12	PP1-476521 000000116	1281181289的平垫片 31*16.3*0.8	1	SAE304	
11	PP1-476521 000000115	1281181289的平垫片 31*16.3*0.8	1	SAE304	
10	PP1-476521 000000069	1281181289的平垫片 31*16.3*0.8	1	SAE304	
9	PP1-476521 000000060	1284182124的滤芯入罐式滤芯(1600000)	1	SAE304	
8	PP1-476521 000000063	1284182124的滤芯入罐式滤芯(1600000)	1	SAE304	
7	PP1-476521 000000003	1284182124的滤芯入罐式滤芯(1600000)	1	SAE304	
6	PP1-476521 000000069	1284182124的滤芯入罐式滤芯(1600000)	1	SAE304	
5	PP1-476521 000000003	1284182124的滤芯入罐式滤芯(1600000)	1	SAE304	
4	PP1-476521 000000037	1284182124的滤芯入罐式滤芯(1600000)	1	SAE304	
3	PP1-476521 000000016	1284182124的滤芯入罐式滤芯(1600000)	1	SAE304	
2	PP1-476521 000000070	1284182124的滤芯入罐式滤芯(1600000)	1	SAE304	
1	PP1-476521 000000454	1284182124的滤芯入罐式滤芯(1600000)	1	SAE304	

REV	DESCRIPTION	DATE	NAME

DESIGNED		TITLE
CHECKED		REF
APPROVED		
SCALE	MATERIAL	WEIGHT
1:2		
		DWG NO.
		<i>American Standard</i>