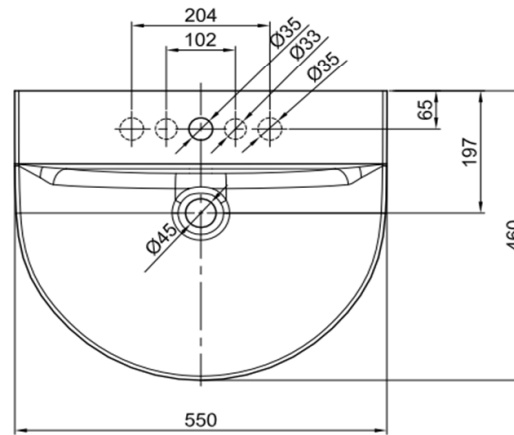
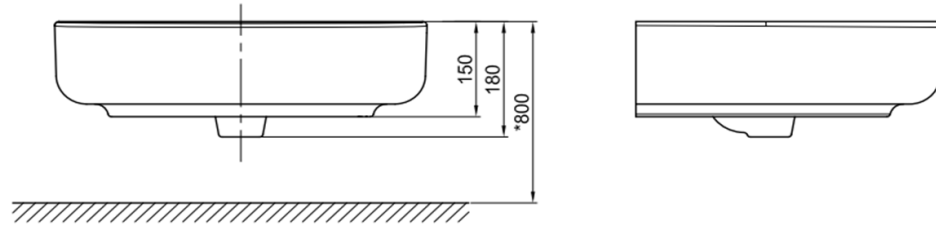


### Key Specification

Product Type	wh basin
Basic Dimension	550*460*180
Certification	GB
Quality Requirement	keep same as AS
Faucet Hole	on basin
Faucet	single hole, 4" hole, 8" hole
Water Volume	8.2 L
Component	wh fixing bolts o-ring
Matching Pedestal	Yes
Weight	15.5 KG
Color	White heat II
Brand Logo / Color	N/A
Coated Ceramic	N/A
Material	VC
Similar Model	N/A
Logo	American Standard
Package	Carton box
MFG Location	TIJ
Mold Design	bank casting
Market	Region
Other Remark	



Customer	AS	<b>LIXIL</b>
MFG	TIJ	
Develop	Shanghai IDC	updated:1 Mar.2018