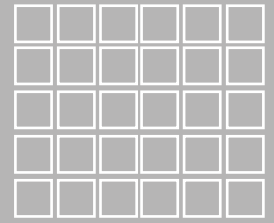
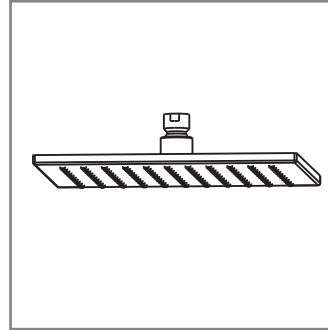


Thank you for selecting American-Standard - the benchmark of fine quality for over 100 years.  
To ensure that your installation proceeds smoothly--please read these instructions carefully before you begin.

\* American Standard always keep raising and improving the product design and performance, and reserve the right to modify the dimension and specification. At this case, we will not inform you separately.  
\* This installation instruction sheet is for your reference only, the dimension and specification is subject to the actual products.

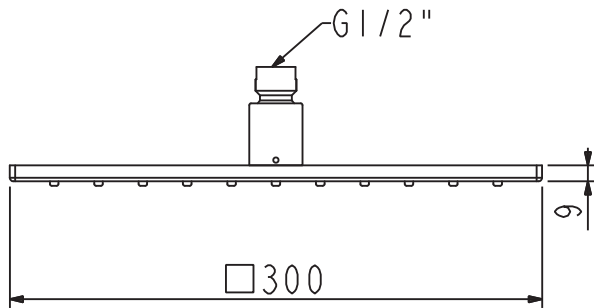
# American Standard

## FFASTS06-006500BF0 Square 300x300mm Rain Shower Head, Brass with Air-in (w/o shower arm)



Installation &  
Operation Instruction

### Dimension

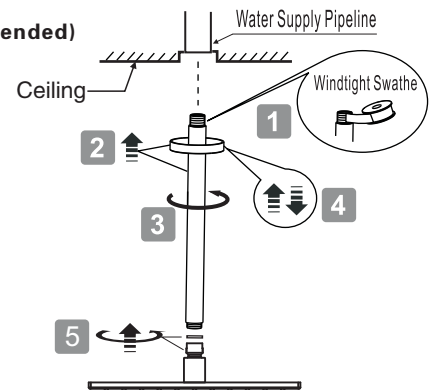


### Installation

- \* Consult the dimension drawing and lay the pipes.
- \* Wash and clean the water supply pipeline.

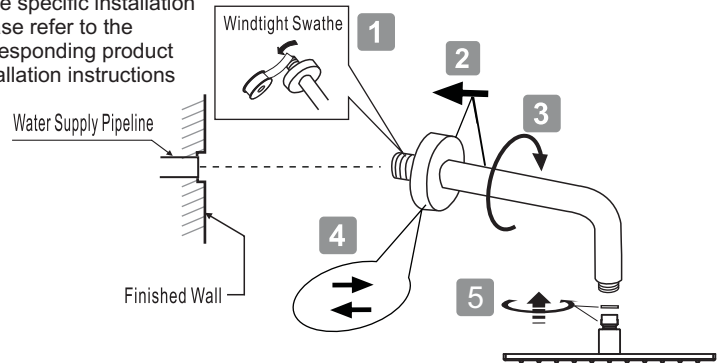
#### A. Top installation(Recommended)

\* The specific installation please refer to the corresponding product installation instructions

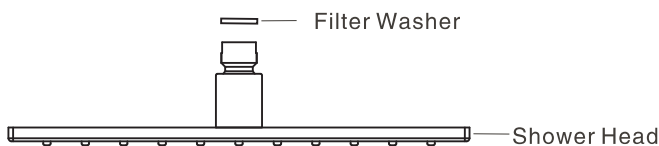


#### B. In-wall installation(Recommended)

\* The specific installation please refer to the corresponding product installation instructions



### Parts List



### Notice

#### Conditions for use

- \* Water pressure condition: 0.1MPa~0.75MPa (Recommended : 0.2MPa~0.5MPa)
- \* Environment Temperature: 1°C~55°C
- \* Not for use as a steam outlet.

\* In order to ensure the installation, Please use together with American Standard shower arm.

#### Maintenance

- \* When you repair, please shut off the water supply system.

#### Cleaning the surface

- \* Rinse the product with clean water.
- \* Dry with soft cotton flannel cloth.
- \* Do not clean the product with acid, polish, abrasives, harsh cleaners, or cloth with a harsh surface as these products may damage the finish.