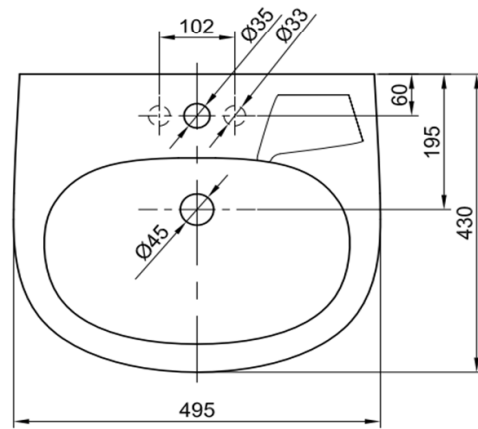
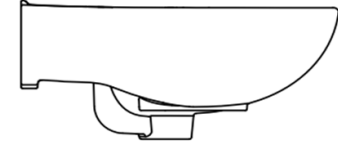
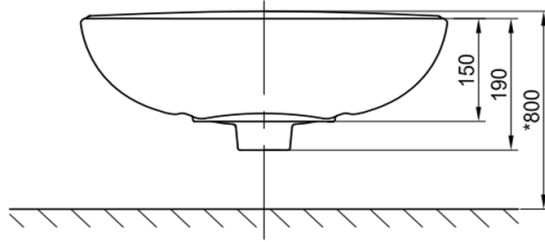


### Key Specification

Product Type	wh basin
Basic Dimension	495*430*190
Certification	GB
Quality Requirement	keep same as AS
Faucet Hole	on basin
Faucet	single hole, 4" hole
Water Volume	5.7L
Component	wh fixing bolts, pedestal fixing bolts, o-ring
Matching Pedestal	Yes
Weight	11.5 KG
Color	White heat II
Brand Logo / Color	N/A
Coated Ceramic	N/A
Material	VC
Similar Model	N/A
Logo	American Standard
Package	Carton box
MFG Location	TIJ
Mold Design	bank casting
Market	Region
Other Remark	



Customer	AS	<b>LIXIL</b>
MFG	TIJ	
Develop	Shanghai IDC	updated:28 Feb.2018