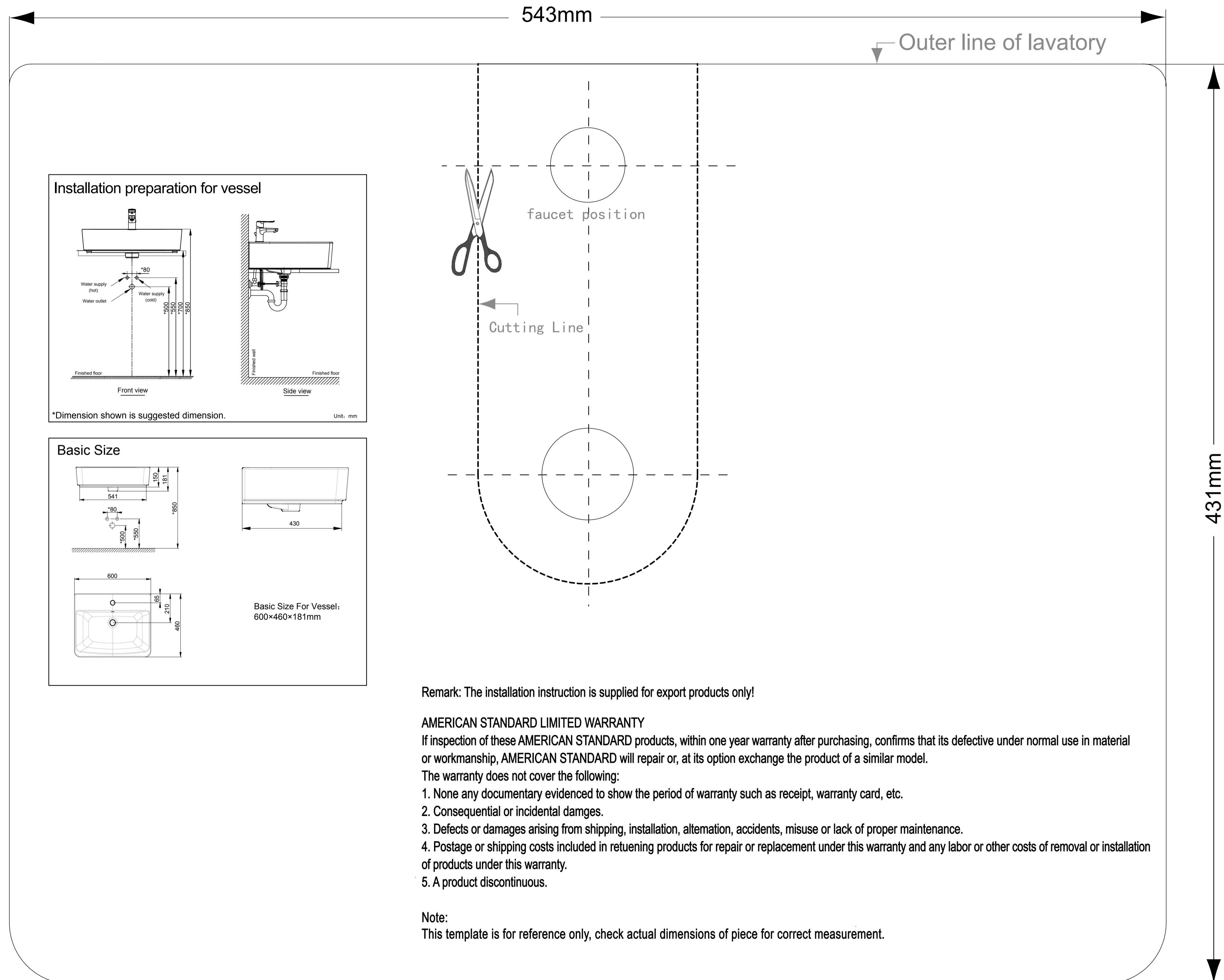
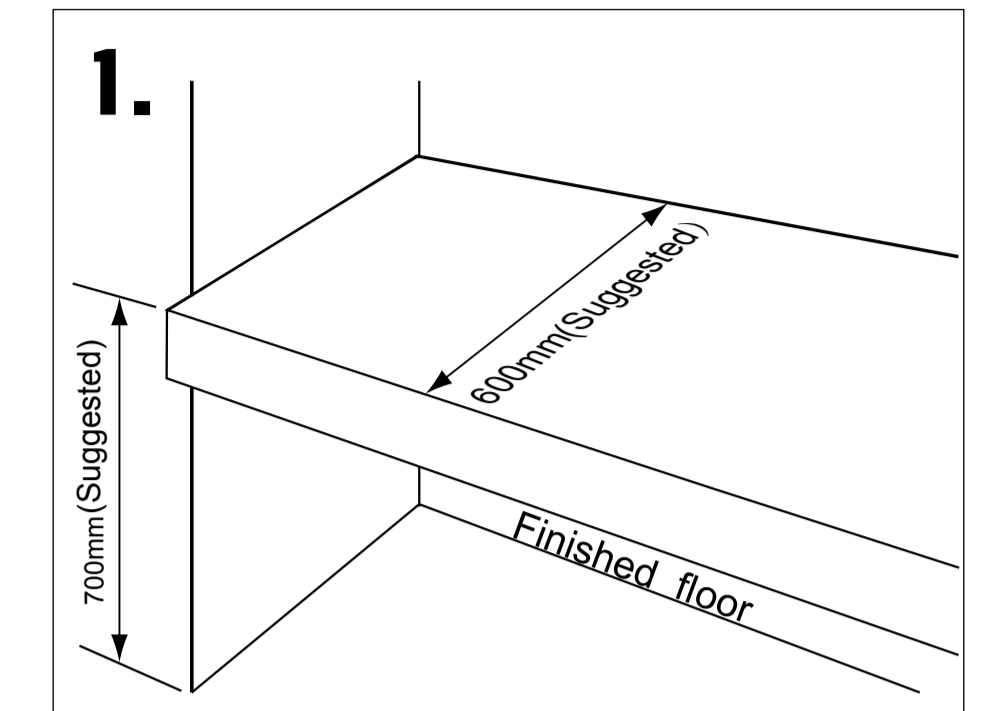


Acacia E Vessel CP-F520

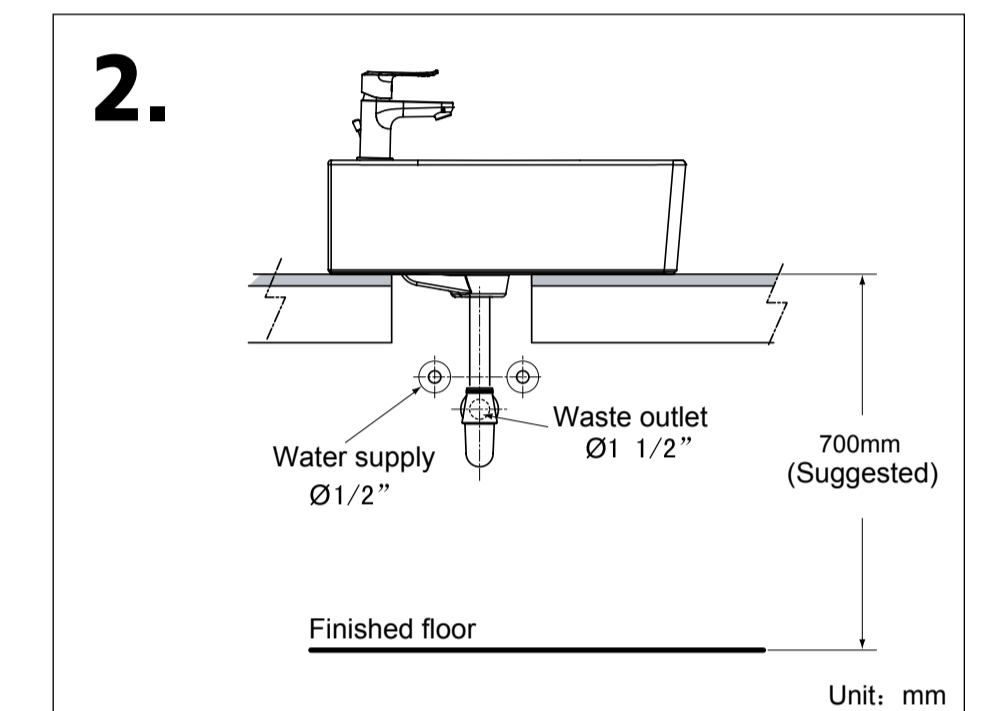
Installation template



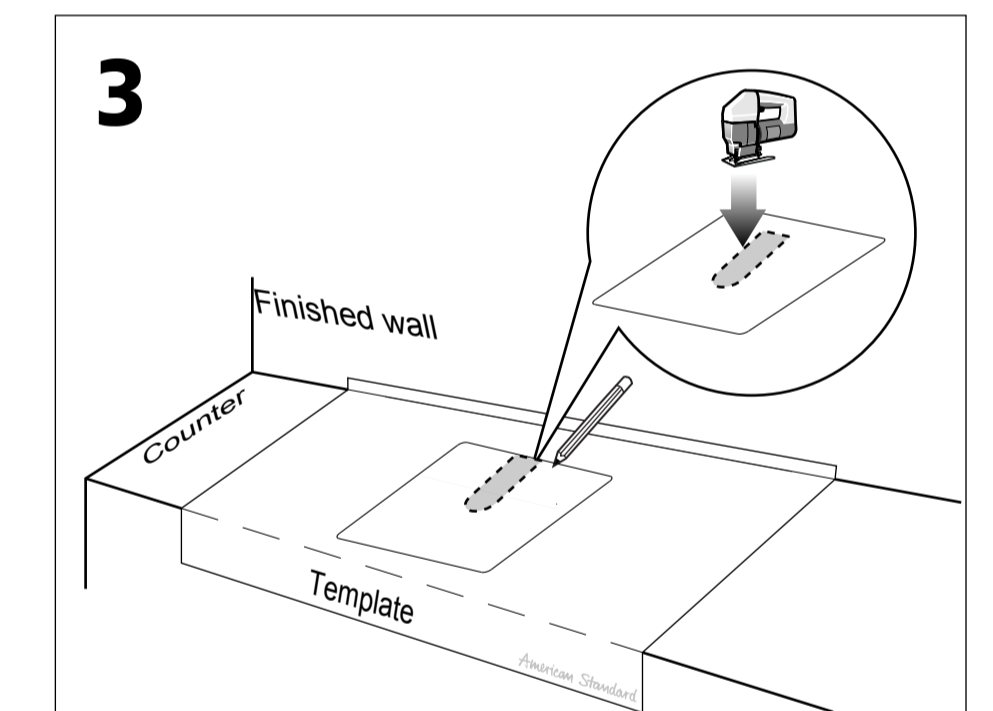
Finished Wall



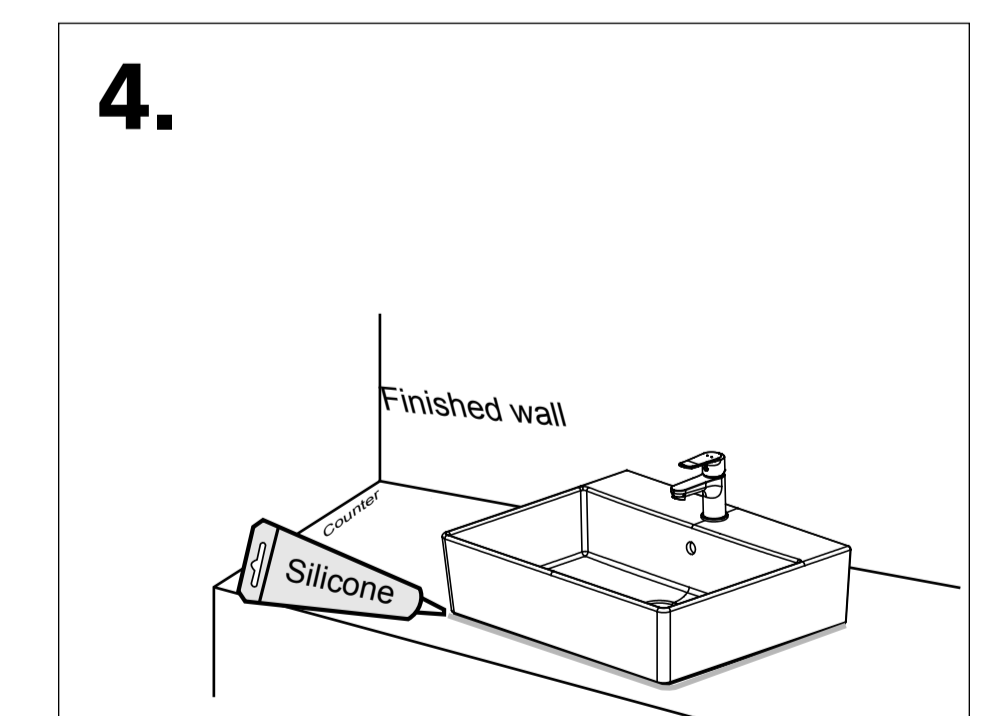
1. Preparation of the area for installation. (Suggested)



2. The distance for water supply, waste water outlet installation. (Suggest use La Moda faucet)



3. The template placing on the counter with position required, following lining by punching.



4. Basin taking and follow on position require. To install water supply & waste water outlet set and pop up waste together with basin, proper checking after finish installed, on & off water supply checking, water drainage, water leakage. If no short coming to apply the sealing material with basin's rim. (Sealing material is not provided.)