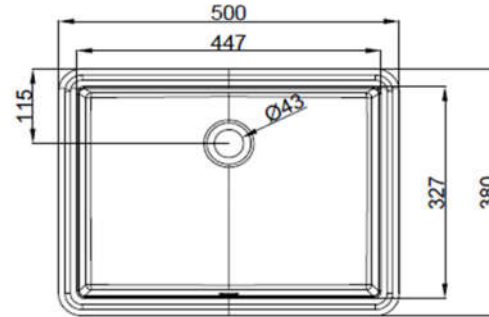
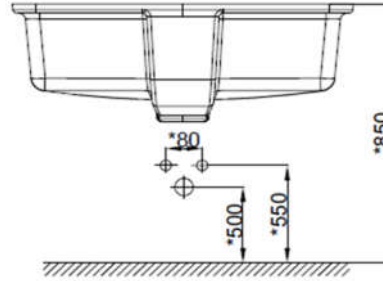


Key Specification

Product Type	Vessel
Basic Dimension	500*380*181
Certification	GB 2015
Quality Requirement	Keep same as AS
Faucet Hole	N/A
Faucet	on table, perfectmatch with mentioned basin mixers and its vanity
Water Volume	9.5 L
Component	o-ring, Bracket
Matching Pedestal	N/A
Weight	10.5 KG
Color	Alpine White and other colors / pattern
Brand Logo / Color	N/A
Coated Ceramic	N/A
Material	FFC
Similar Model	N/A
Logo	American standard
Package	Carton box
MFG Location	SHC
Mold Design	Manual casting
Market	Asia
Other Remark	



Customer	Grohe	LIXIL
MFG	SHC	CP-F514
Develop	IDC Shanghai	Update: 27 Feb 2017