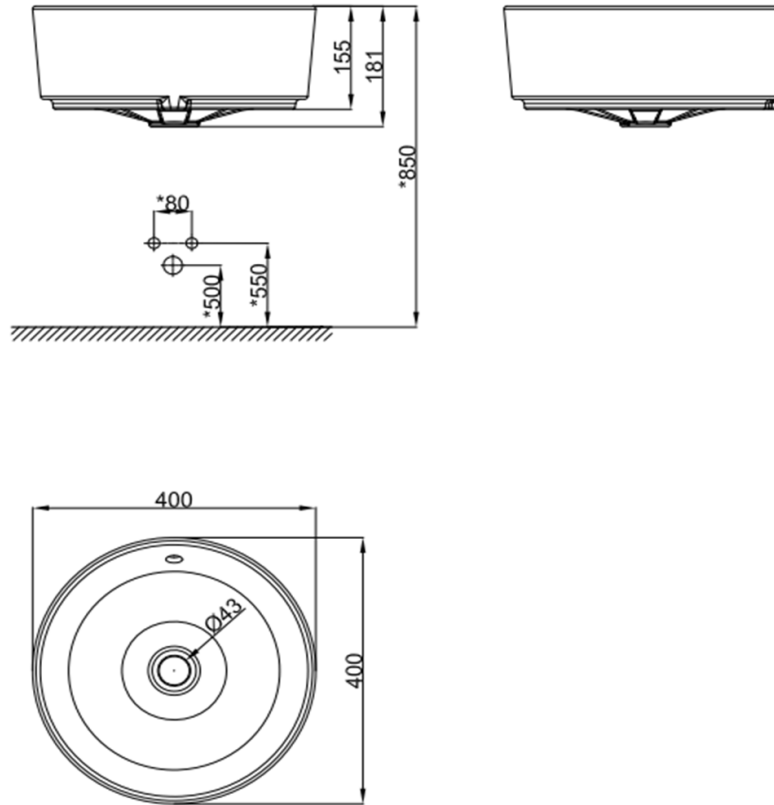


Key Specification

Product Type	Vessel
Basic Dimension	400*400*181
Certification	GB
Quality Requirement	keep same as AS
Faucet Hole	on table
Faucet	N/A
Water Volume	4.8 L
Component	o-ring
Matching Pedestal	Yes
Weight	10.5 KG
Color	White heat II
Brand Logo / Color	N/A
Coated Ceramic	N/A
Material	VC
Similar Model	N/A
Logo	American Standard
Package	Carton box
MFG Location	SHC
Mold Design	Bank casting
Market	China
Other Remark	



Customer	AS	LIXIL
MFG	SHC	
Develop	Shanghai IDC	updated:15 Feb.2014