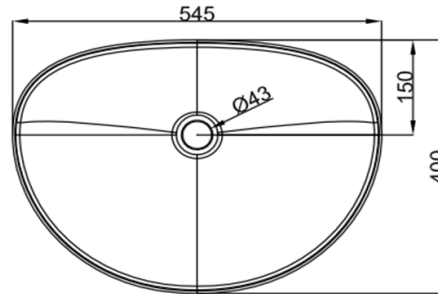
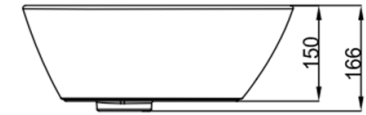
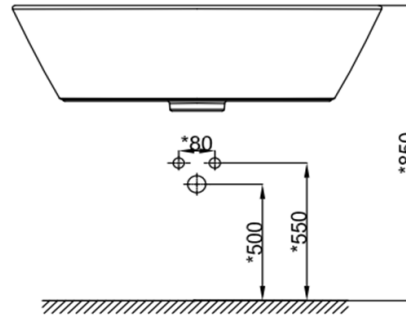


Key Specification

Product Type	Vessel
Basic Dimension	545*400*150(table)
Certification	GB
Quality Requirement	Keep same as AS
Faucet Hole	N/A
Faucet	On table
Water Volume	11.8 L (full water)
Component	N/A
Matching Pedestal	N/A
Weight	9.2 KG
Color	White heat II
Brand Logo / Color	N/A
Coated Ceramic	N/A
Material	FFC
Similar Model	N/A
Logo	American Standard
Package	Carton box
MFG Location	SHC
Mold Design	Manual Casting
Market	China
Other Remark	



Customer	AS	LIXIL
MFG	SHC	cp-f633
Develop	IDC Shanghai	update:27 Feb 2017