

Neo Modern vessel

CP-F633

Installation template

Remark: The installation instruction is supplied for export products only!

AMERICAN STANDARD LIMITED WARRANTY

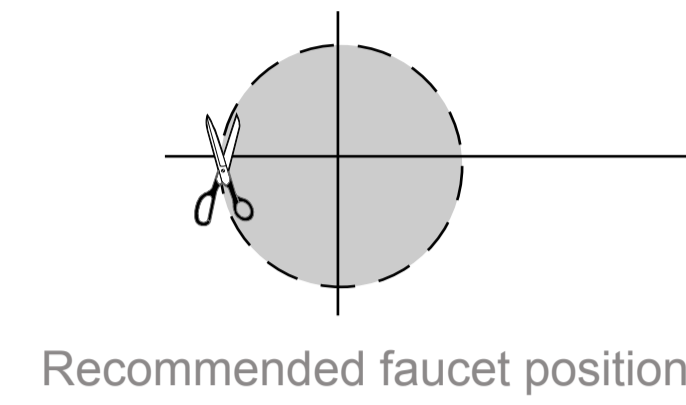
If inspection of these AMERICAN STANDARD products, within one year warranty after purchasing, confirms that its defective under normal use in material or workmanship, AMERICAN STANDARD will repair or, at its option exchange the product of a similar model.

The warranty does not cover the following:

1. None any documentary evidenced to show the period of warranty such as receipt, warranty card, etc.
2. Consequential or incidental damages.
3. Defects or damages arising from shipping, installation, alteration, accidents, misuse or lack of proper maintenance.
4. Postage or shipping costs included in retuning products for repair or replacement under this warranty and any labor or other costs of removal or installation of products under this warranty.
5. A product discontinuous.

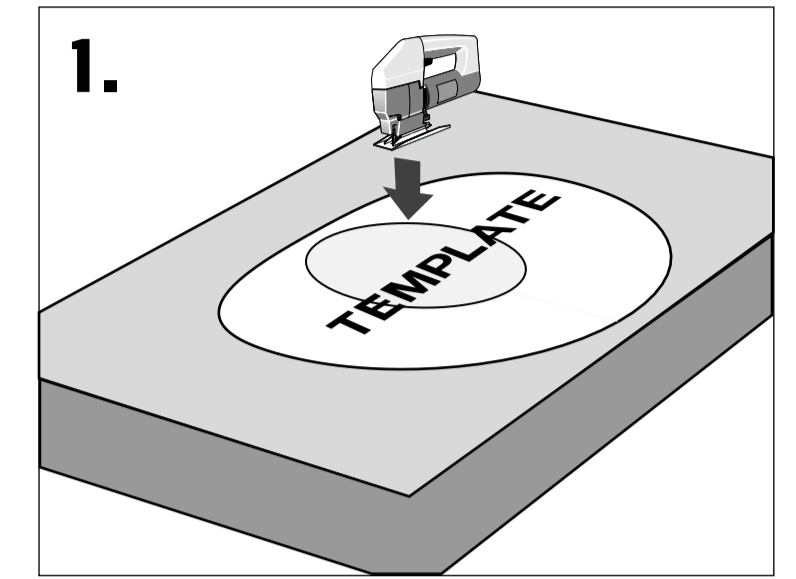
Note:

This template is for reference only, check actual dimensions of piece for correct measurement.

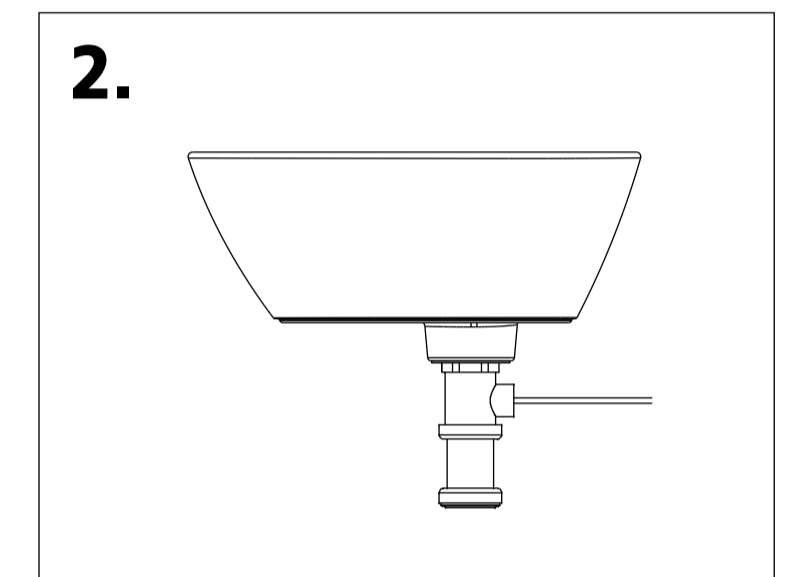


90mm
290mm

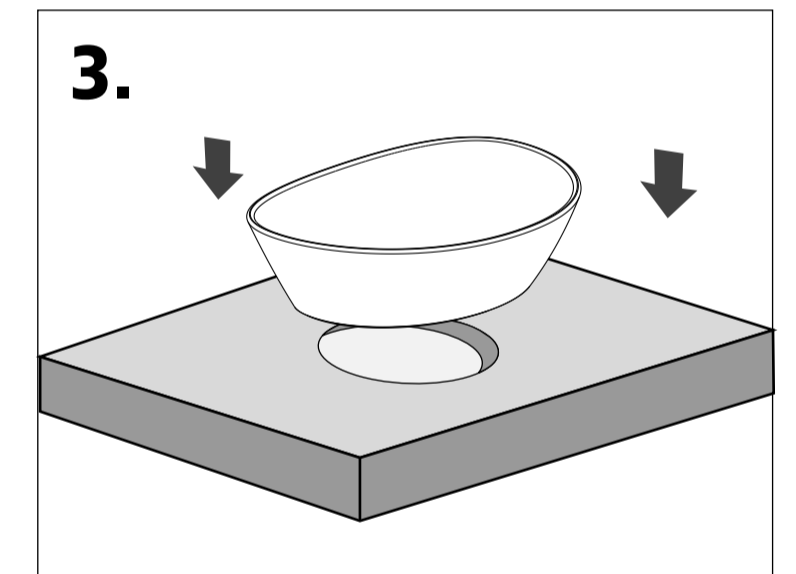
Finished Wall



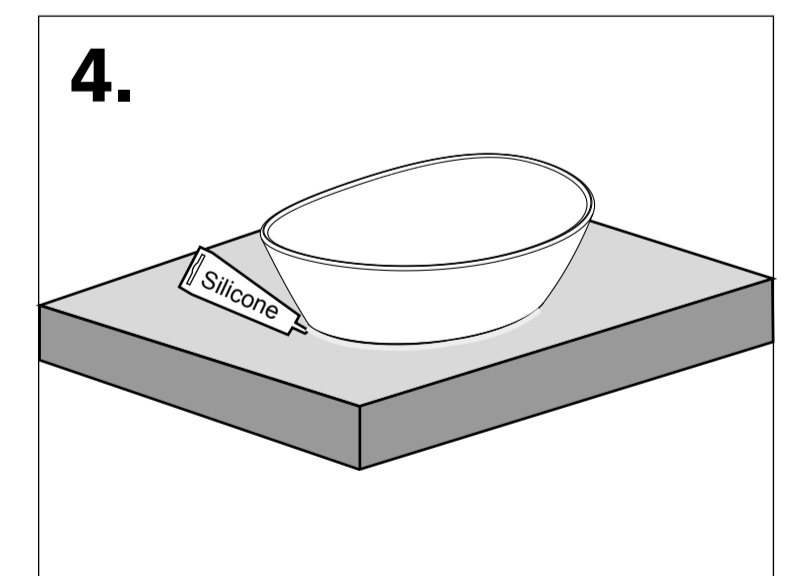
1. Cut the template and use as pattern to cut the hole in the counter.



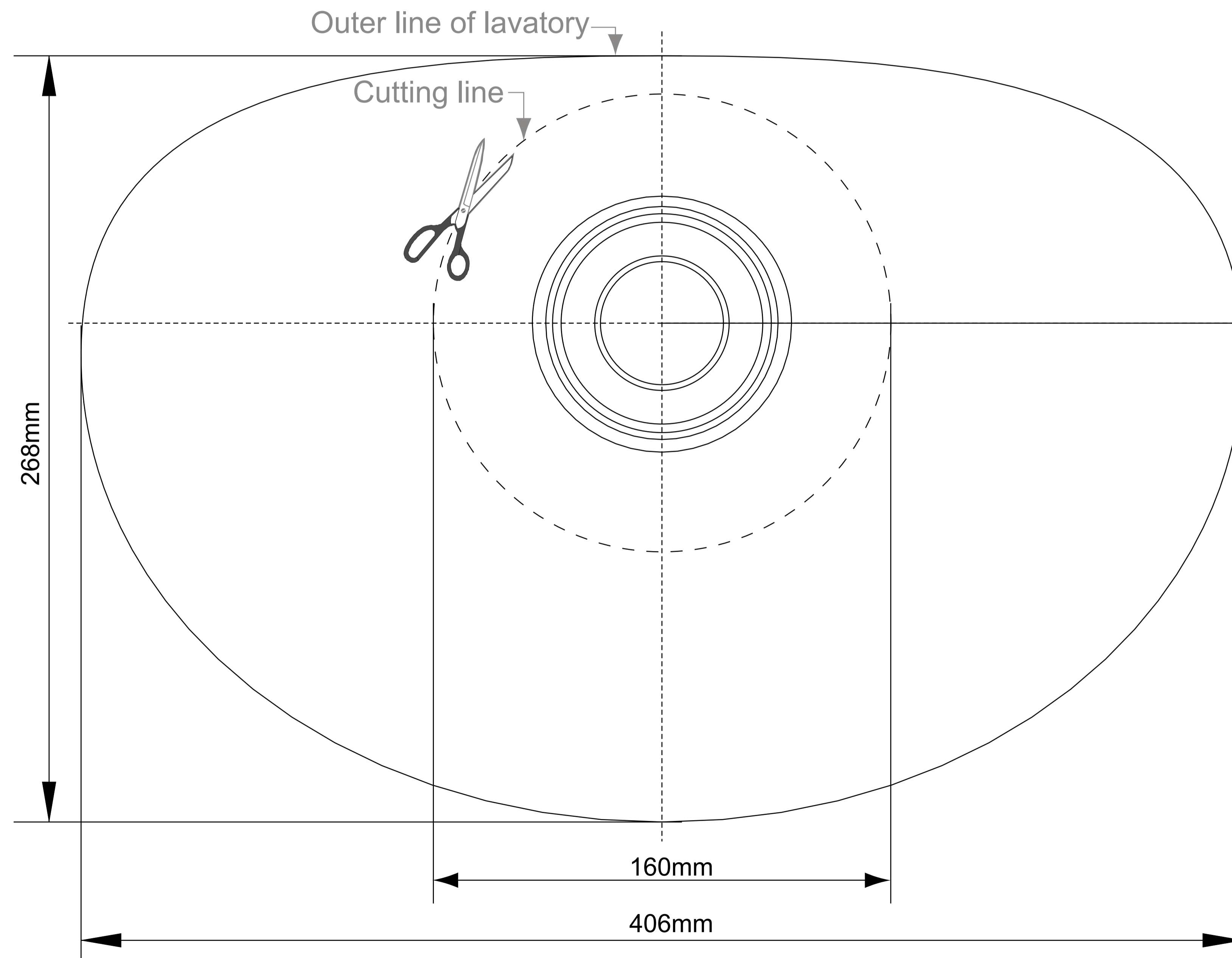
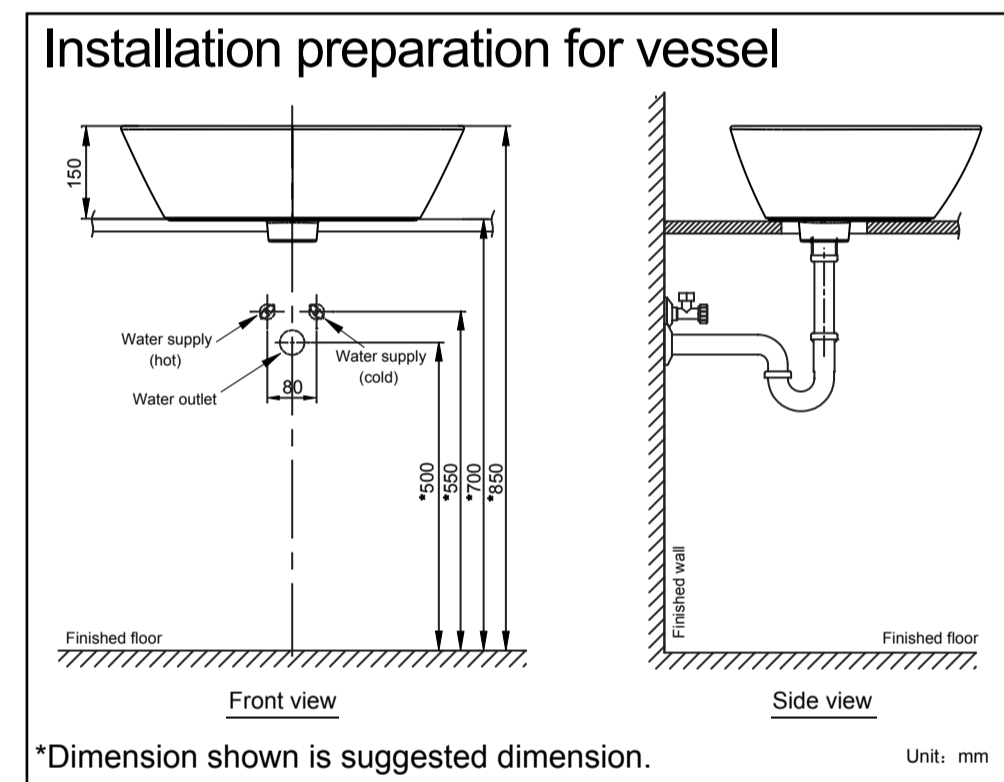
2. Install water supply. Waste water outlet set and faucet must be fix with lava.



3. Take the Lava and follow the required position. Drop and install.



4. After installation, check the waste outlet and faucet connection. Connect the water supply, then open the valve and check water leakage. If no problem, apply silicone sealant at the bottom of the lava. (Silicone is not provided).



ACCESSORIES



Disclaimer:

We recommend consumers to use the accessories we recommend(CF-9322.000.50).Otherwise American Standard is not in charge of it once any spill out.