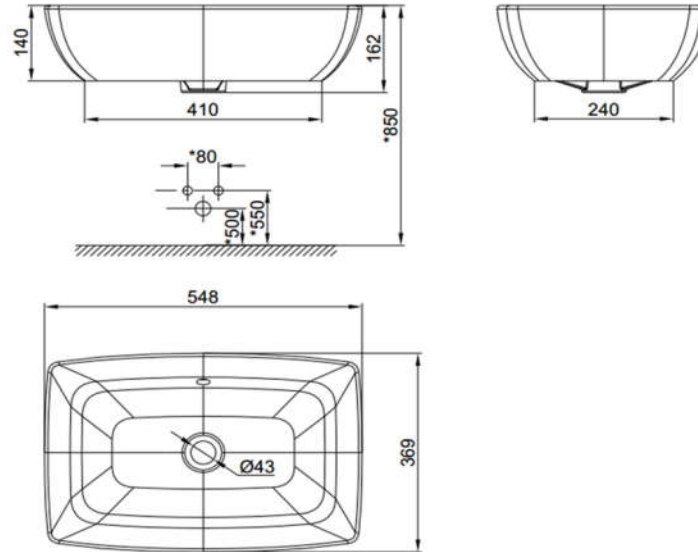



Key Specification

Product Type	Vessel
Basic Dimension	549*369*161
Certification	GB2005
Quality Requirement	Keep same as A-S
Faucet Hole	N/A
Faucet	Faucet on table
Water Volume	4.2L
Component	Over flow hole, O-ring
Matching Pedestal	N/A
Weight	12 KG
Color	亮白II
Brand Logo / Color	
Coated Ceramic	Glaze inner surface
Material	FFC
Similar Model	N/A
Logo	American Standard
Package	Carton Box
MFG Location	SHC
Mold Design	Manual Casting
Market	China, ASEAN
Other Remark	



Customer	AS	 CP-F650 updated:12 May 2016
MFG	SHC	
Develop	IDC	