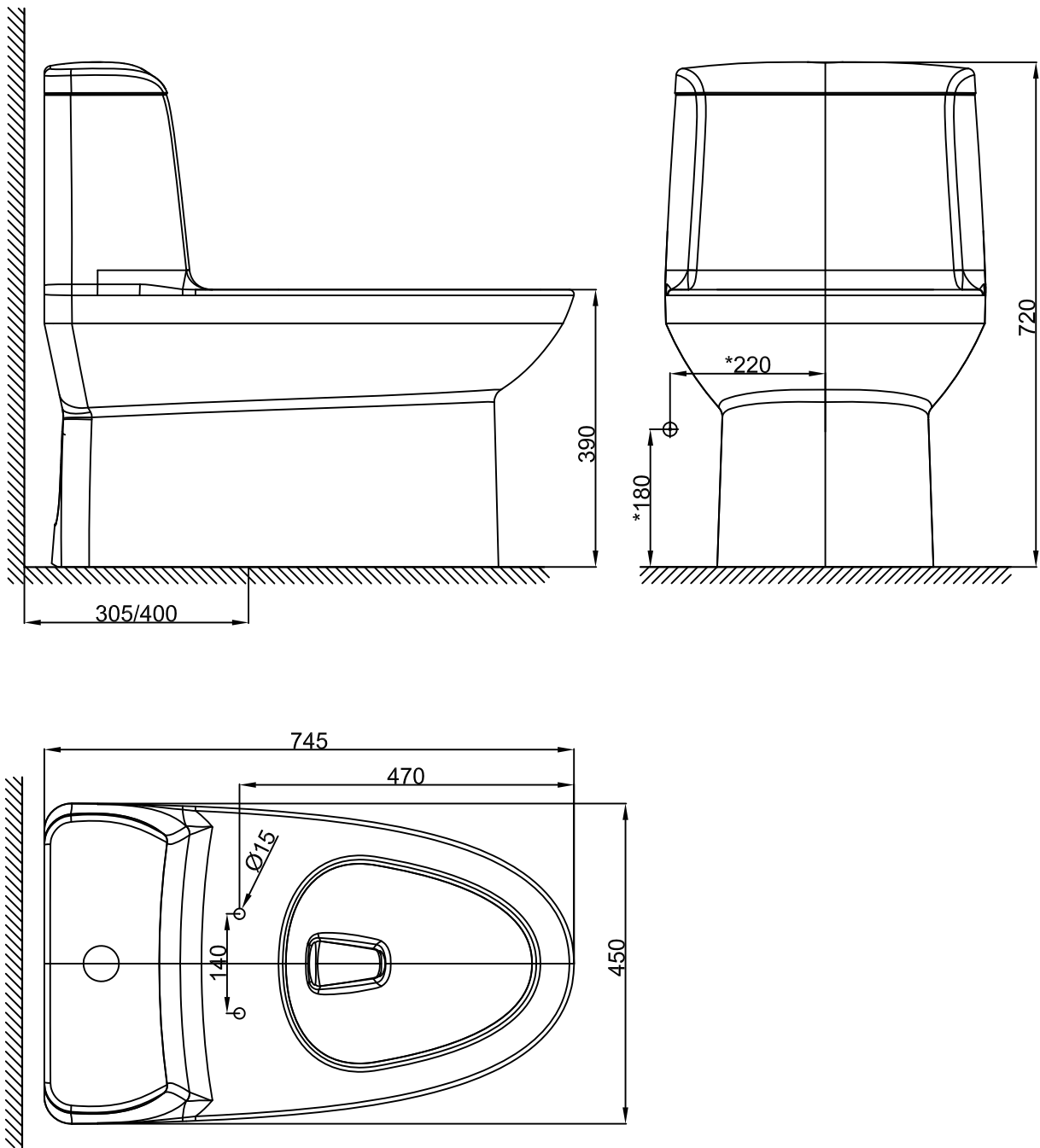


本图纸尺寸仅供参考，如有变更，恕不另行通知。
 This drawing just for reference, any change will not inform.
 CN NPD/DRA 1830/1831 LD-2014



*This mark means suggested

	Drawn David	Material VC	Date: 24-Jul-17	Scale 1/1
<i>American Standard</i> international design center	Milano 1PC BWL			
	CP-1830/1831		sheet 1/1	version 2.0