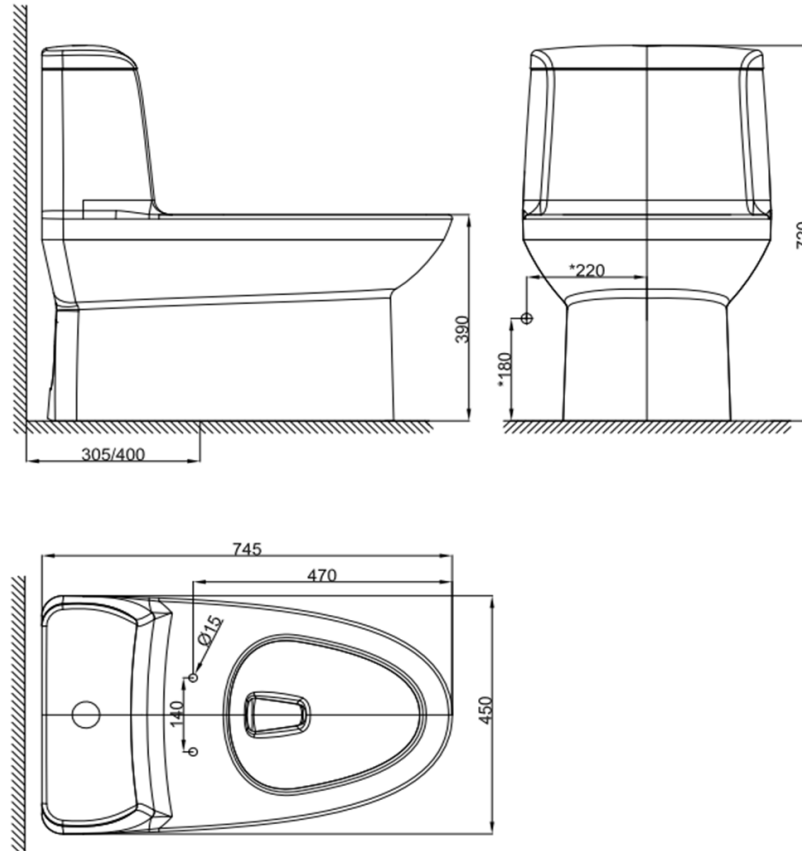


### Key Specification

Product Type	OP bowl
Basic Dimension	745*450*720
Certification	GB 2005 (Function follow New GB)
Quality Requirement	Keep same as A-S
Flushing Action	Top push
Special Flush (Platform)	Siphon Jet
Flush Volume	3.3/4.8 L
Coated Ceramic	N/A
Rimless	N/A
Additional Glazing Area	Trap inside
Color	White Heat II
Brand Logo / Color	American Standard
Installation	Quick installation tape
Seat & Cover	Slow Closing, PP, Matal Hinge
Conceal Tank System	N/A
Tank Trim	R&T
Roughing-In	305/400 ceramic trapway
Water Connection	N/A
Water Pressure	0.05Mpa (dynamic pressure)-0.75Mpa (static pressure)
Weight	48KG total
Material	VC
Similar Model	N/A
MFG Location	HMS
Mold Design	Bank Casting
Market	China, ASEAN
Other Remark	



Customer	AS	<b>LIXIL</b> CP-1830 updated:24 Feb 2018
MFG	HMS	
Develop	IDC	