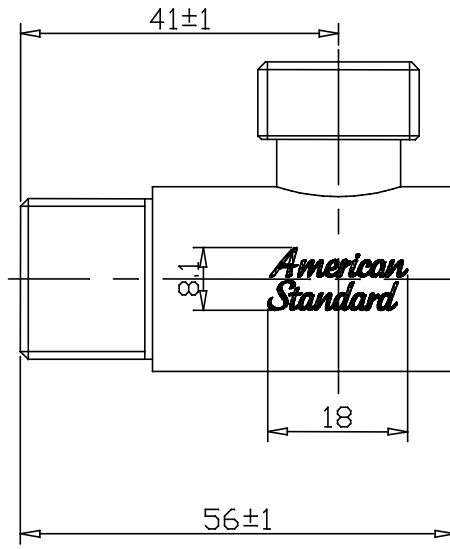
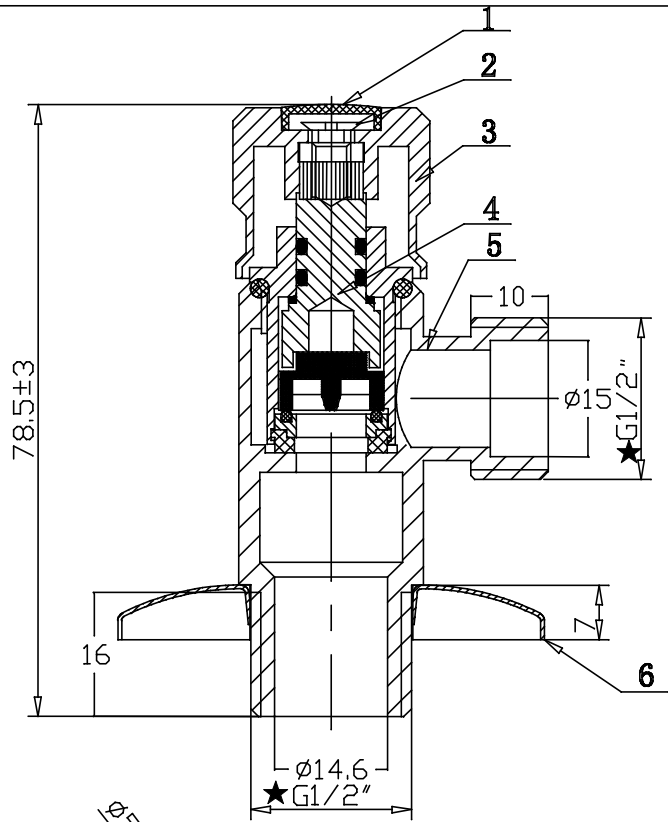


2023年12月5日

A/O

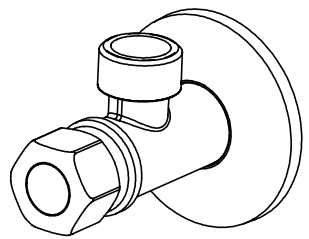
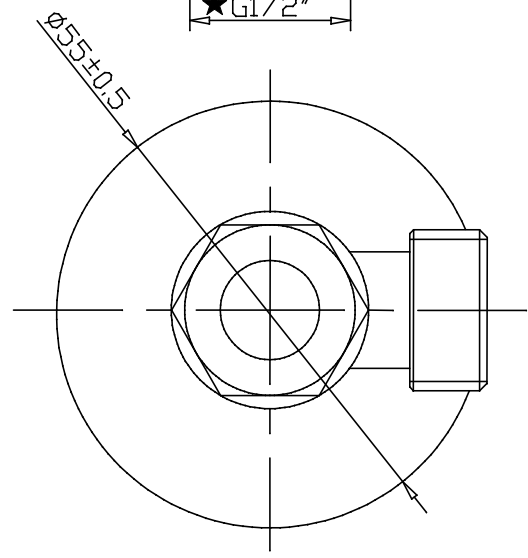
Tolerance, Unless Otherwise Stated.		
Above 0.5 to and including	0.1	±0.1
Excess 6 to and including	0.2	±0.2
Excess 30 to and including	0.3	±0.3
Excess 120 to and including	0.5	±0.5
Excess 315 to and including	0.8	±0.8
Excess 1000 to and including	1.2	±1.2



logo尺寸图

技术要求:

- 角阀外观: PVD处理 (DA0)
- 零件表面处理符合《WI10.0575》的相关要求;
- 螺纹连接处要求“通规通、止规止”;
- logo颜色为Pantone 11C;
- 尺寸参考F64401-CHADY角阀;
- 产品应符合GB/T 26712-2011标准要求;
- 带“★”为重点尺寸。



6	FF1-CN521F00160DAS	装饰罩	S304	1	DA0
5	FF1-CN521B00047DAB	90°角阀本体	Hpb59-1	1	DA0
4	FF1-CN521C0006199B	916阀芯	Assembly	1	
3	FF1-CN521F00161DAB	阀帽	Hpb59-1	1	DA0
2	FF1-CN521N0011499S	钢十字螺钉	S304	1	
1	FF1-CN521F0016299P	料盖	ABS	1	材料原色(灰)
序号	料号	名称	材料	数量	备注

DESIGNED	李爽	2023.12.5	TITLE STOP VALVE CERAMIC 90 G1/2" _DA0		
CHECKED	张光强	2023.12.5	REF		
APPROVED	李爽	2023.12.5	90°角阀_G1/2" (温暖金)-亚太		
SCALE	MATERIAL	WEIGHT	DWG NO.	American Standard	
1:1			103650DA01		

REV	DESCRIPTION	DATE	NAME