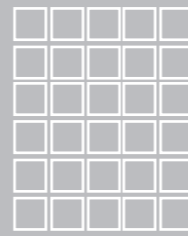


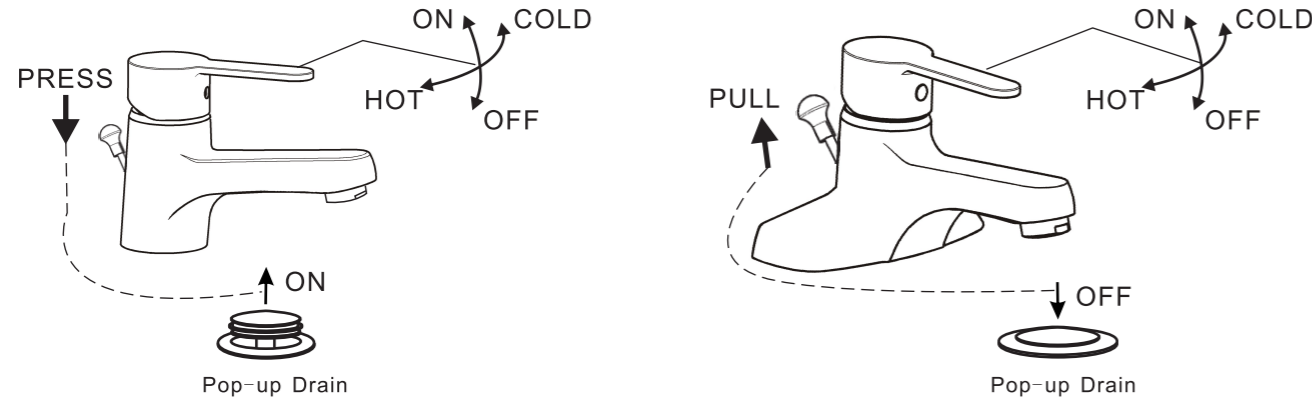
FFAS6501-101500BF0 (WF-6501.101.50)
 SEVA Single Hole Lava. Faucet(W/Brass Pop-up Drain)
 FFAS6502-201500BF0 (WF-6502.201.50)
 SEVA Single Lever 4" Lava. Faucet(W/Brass Pop-up Drain)



Thank you for selecting American-Standard - the benchmark of fine quality for over 100 years.
To ensure that your installation proceeds smoothly--please read these instructions carefully before you begin.

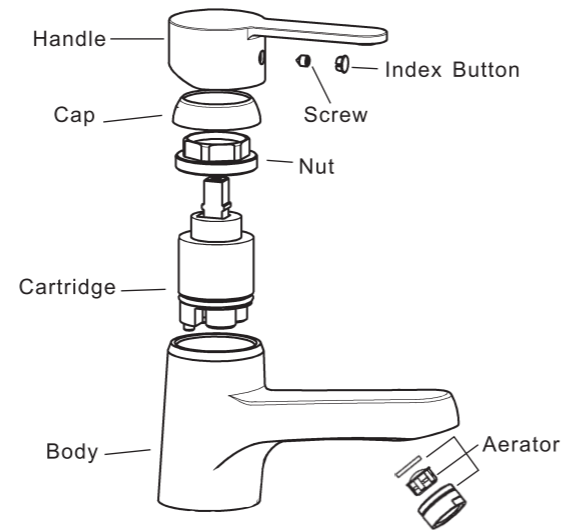
American Standard

7 use



8 Maintenance

* Aerator may accumulate dirt causing distorted and reduced water flow. Remove and clean Aerator and then replace it.
 * If faucet drips, operate handle several times from "off" to "on". Do not apply excessive force.
 * Clogged Cartridge inlets may cause reduced flow in "full on" hot or cold water. To clean inlets, first turn off water supply, then:
 ~ Remove Handle, Escutcheon Cap, Cartridge. Clean inlets and its pipes.
 ~ Reassemble Cartridge, by tightening screws. Replace Escutcheon Cap and Handle. Check water flow.



9 Trouble Shooting

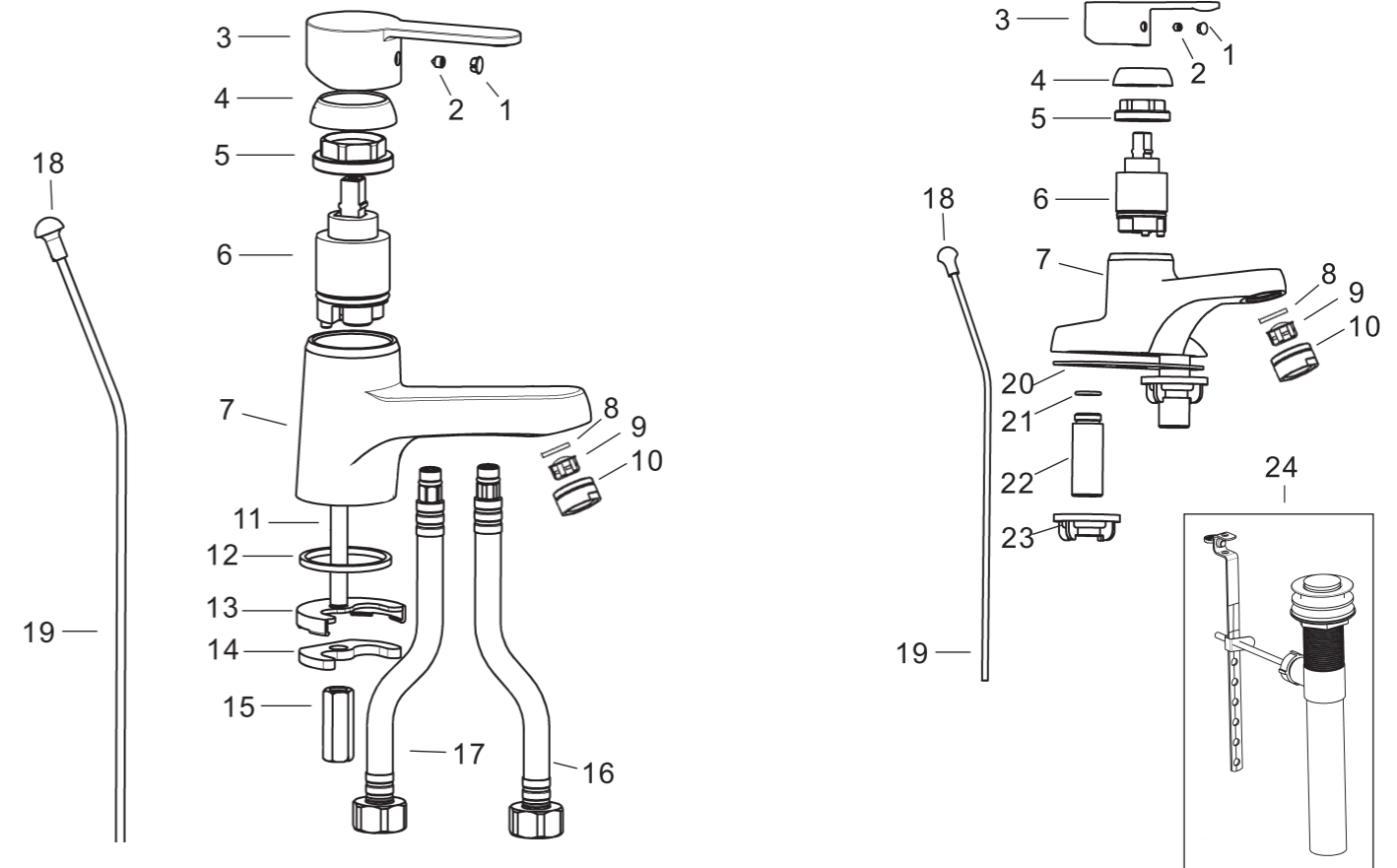
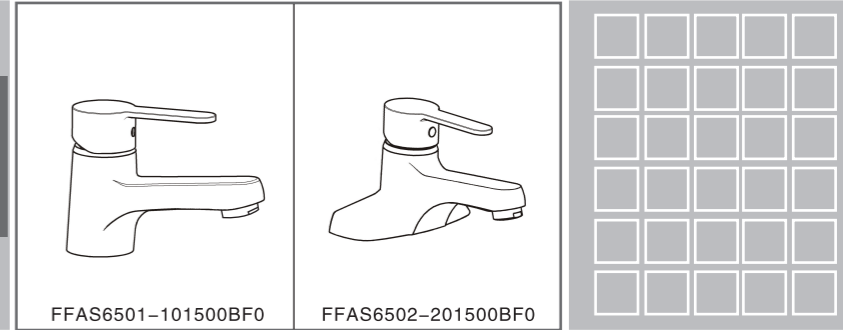
Trouble	Checkpoint	Contents	How to do
Poor flow rate	Aerator	Check if there is impurity or not	Remove the impurity
	Angle valve	Check if the water from angle valve is enough or not	Increase water supply
	Flexible hose	Check if hose is twisted	Untwist the hose
Leakage	Cartridge screw	Check if the cartridge screws get loosed	Tighten the screw
	Connection in faucet tube	Check if the connection is with the washer or not Check if the the washer is broken or not	Add the washer Replace the washer
Deviant Temperature	Supply system	Check if the water from angle valve is enough or not	Increase water supply
		Check if the supply pipe connected correct or not	Connect the hot and cold water pipe correctly



Attention:
Please leave the manual to the customer after installation is finished.

FFAS6501-101500BF0 (WF-6501.101.50)
 SEVA Single Hole Lava. Faucet(W/Brass Pop-up Drain)
 FFAS6502-201500BF0 (WF-6502.201.50)
 SEVA Single Lever 4" Lava. Faucet(W/Brass Pop-up Drain)

Installation & Operation Instructions



PARTS LIST							
No.	Part Name	Q'ty		No.	Part Name	Q'ty	
		FFAS6501	FFAS6502			FFAS6501	FFAS6502
1	Index Button	1	1	14	Washer	1	0
2	Screw	1	1	15	Nut	1	0
3	Handle	1	1	16	Hose (Blue)	1	0
4	Cap	1	1	17	Hose (Red)	1	0
5	Nut	1	1	18	Knob	1	1
6	Cartridge	1	1	19	Pop-up Rod	1	1
7	Body	1	1	20	Washer	0	1
8	Washer	1	1	21	O-Ring	0	2
9	Aerator	1	1	22	Shank	0	2
10	Aerator Housing	1	1	23	Nut	0	2
11	Bolt	1	0	24	Pop-up Drain	1	1
12	Washer	1	0				
13	Washer	1	0				

1 Note

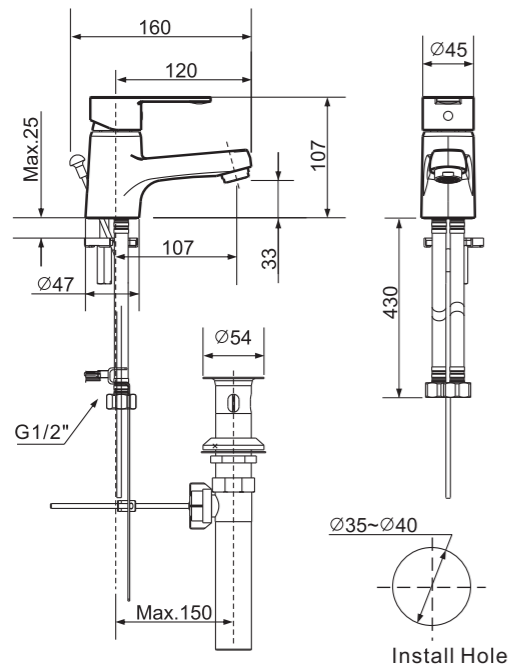
Remove all impurity in pipes to avoid clogging before beginning. Connect faucet pipes correctly. That is, the flexible hose with red mark is for HOT water, while the one with blue mark is for COLD water.
 * Check installation distances in the Dimension diagram to ensure correct installation.

Conditions for use

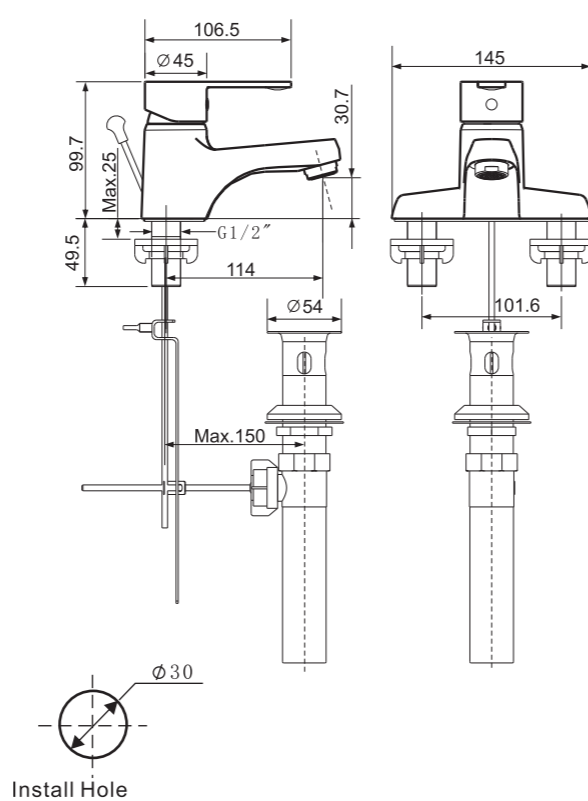
- * Recommended water pressure condition: 0.1~0.5Mpa.
- * Environment Temperature: 1~55°C
- * Steam is not allowed to use.
- * The cold and hot water pipes must not be reserved.

2 Dimension

FFAS6501-101500BF0



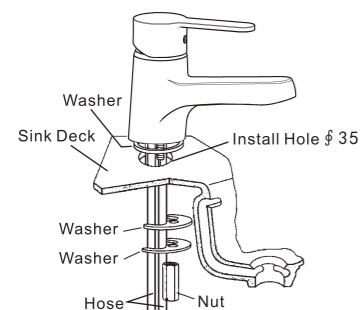
FFAS6502-201500BF0



3 Install

Installing Faucet (Apply to FFAS6501)

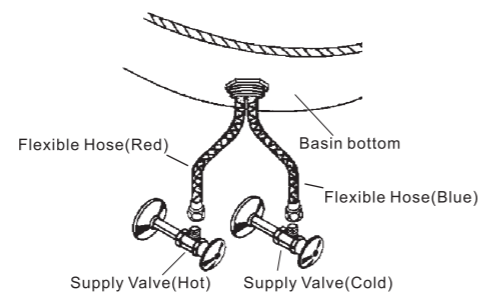
* Insert the Hose to install hole, then reset the Nut and Washer and fix the faucet by Lock Nut.



Connecting Supplies (Apply to FFAS6501)

* Connect FLEXIBLE HOSE with SUPPLY VALVE using COUPLING NUT.

* The HOT water pipe should be connected to the LEFT side, and the COLD water pipe to the RIGHT side.



4 Install

Installing Faucet (Apply to FFAS6502)

* Install PUTTY PLATE to SHANK of faucet. Then insert on sink.

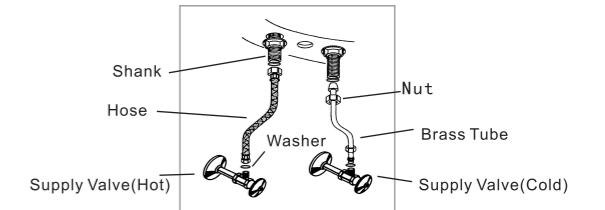


Fixing the faucet and Connecting Supplies (Apply to FFAS6502)

* Screw LOCK NUT TO secure faucet on sink.

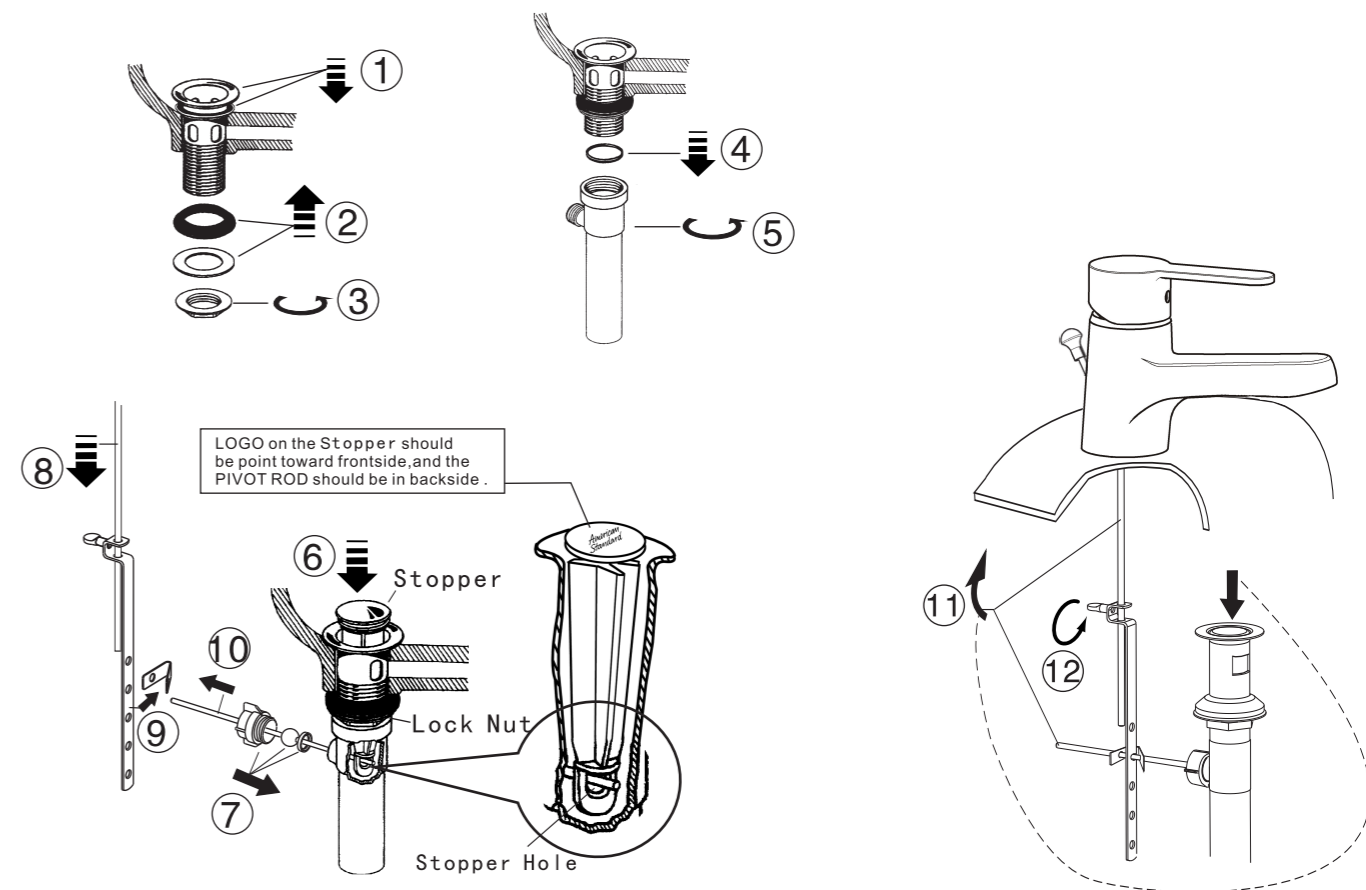
* Connect SHANK and SUPPLY VALVE with HOSE (or BRASS TUBE).

* The HOT water pipe should be connected to the LEFT side and the COLD water pipe to the RIGHT side.



5 Install

Installing Pop-up Drain (Reference below Picture)



6 Test

- * Move handle down into "off" position. Turn on supply angle valve to check all connections if there is leakage.
- * Operate handle up and down, left and right to flush water ways thoroughly.