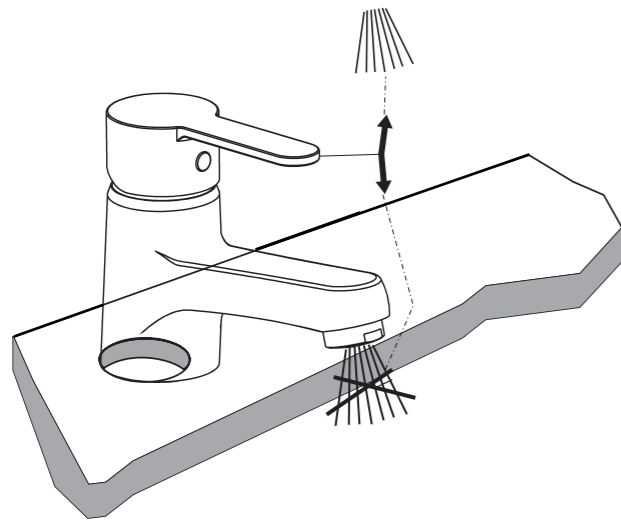


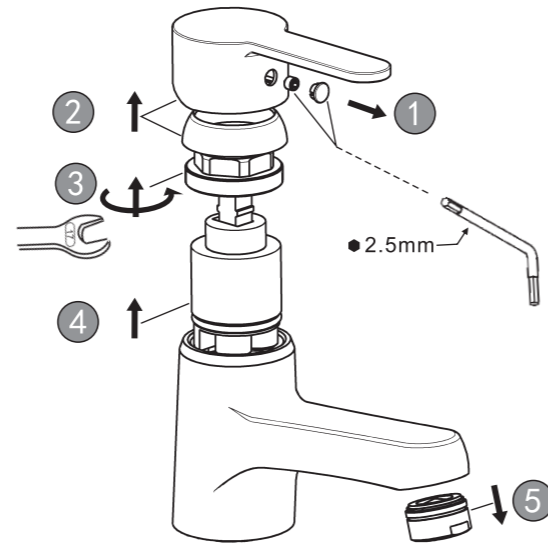
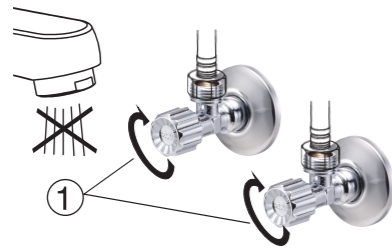
To ensure that your installation proceeds smoothly, please read this instructions carefully before you begin.

6 usage



7 Maintenance

1. Close Supply Water .
2. Open Up Faucet (Reference Picture) .
3. Clean Faucet or Change Component.
4. Reinstall .



8 Trouble Shooting

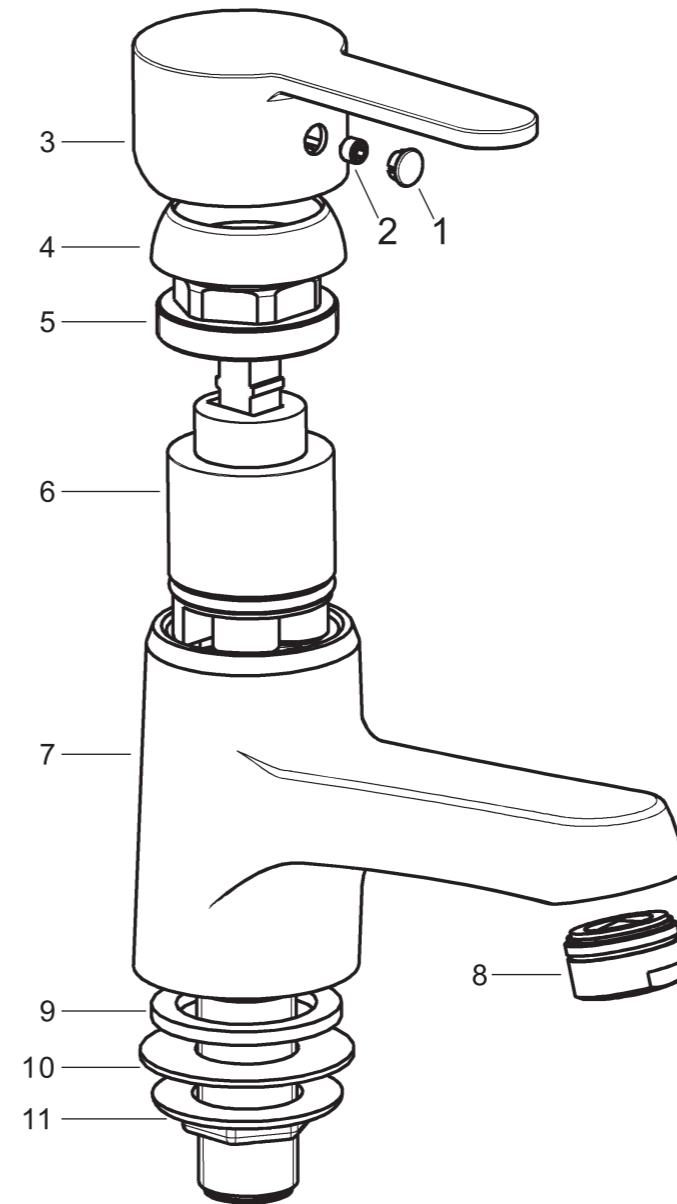
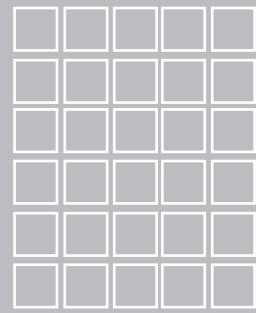
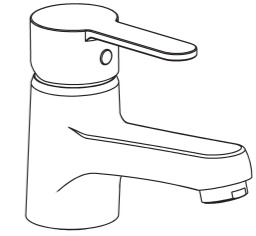
Trouble	Checkpoint	Contents	How to do
Poor flow rate	Aerator	Check if there is impurity or not	Remove the impurity
	Angle valve	Check if the water from angle valve is enough or not	Increase water supply
Leakage	Cartridge nut	Check if the cartridge screws get loosed	Tighten the Screw
	Connection in faucet tube	Check if there is the washer missed Check if the washer is broken or not	Add the washer Replace the washer



Attention:
Please leave the manual with the customer after installation is finished.

FFAS6506-101500BF0 (WF-6506.101.50)
Seva Mono Basin Faucet (Without Pop-up Drain)

Installation & Operation Instruction



PARTS LIST		
No.	Part Name	Q'ty
1	Index Button	1
2	Screw	1
3	Handle	1
4	Cap	1
5	Nut	1
6	Cartridge	1
7	Body	1
8	Aerator	1
9	Washer	1
10	Washer	1
11	Nut	1

1 Note

- * Remove all impurities in pipes before beginning.
- * Check installation distances in the Dimension diagram to ensure correct installation.

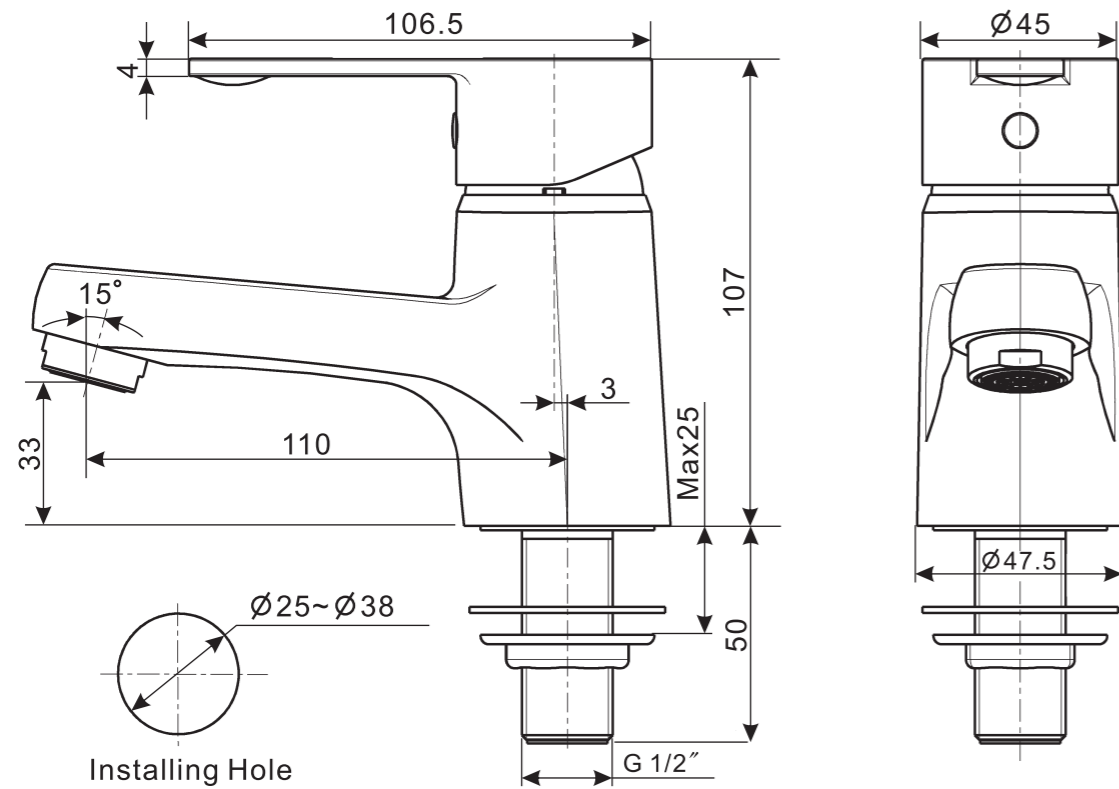
Conditions for use

- * Recommended water pressure condition: 0.1~0.5Mpa.
- * Environment Temperature: 1~55°C.
- * Not for use as a steam outlet.

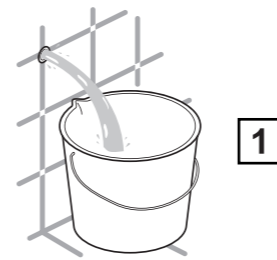
**When in the process of installation, grab the whole body.
Do not grab handle only.**

2 Dimension

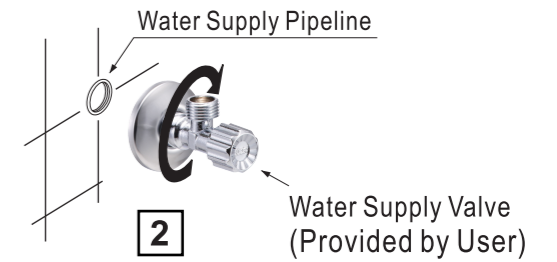
Unit: mm



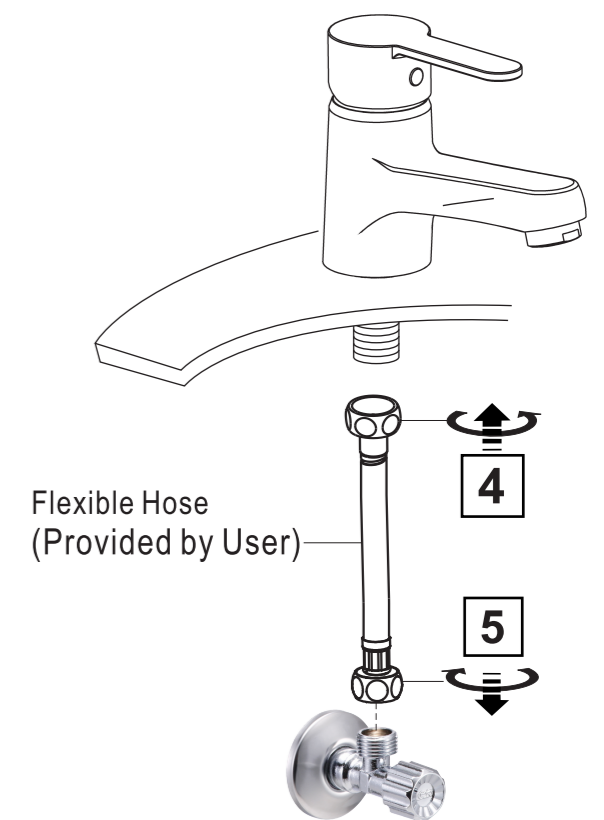
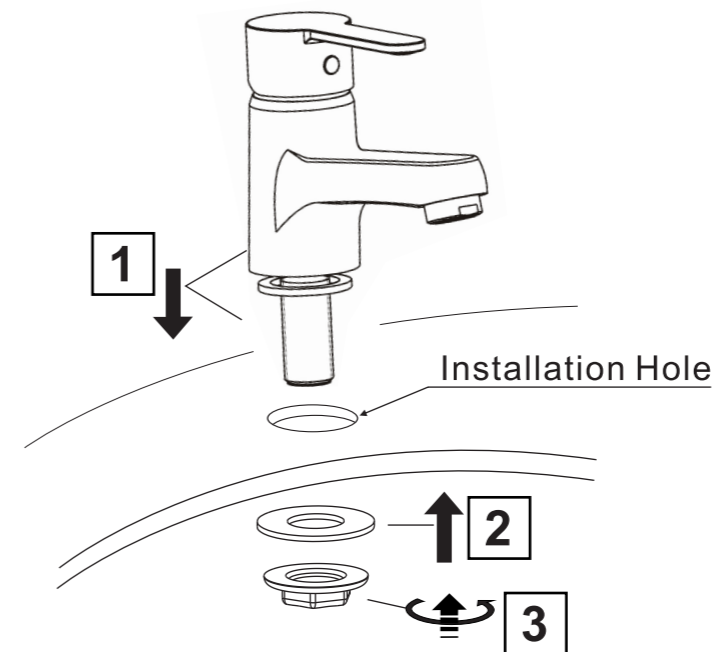
3 Preparation



- * Consult the dimension drawing and lay the pipes.
- * Wash and clean the water supply pipeline.



4 Installation



5 Test

- * Move handle down to turn off the valve. Turn on supply angle valve to check all connections if there is leakage.
- * Operate handle up and down, left and right to flush water ways thoroughly.