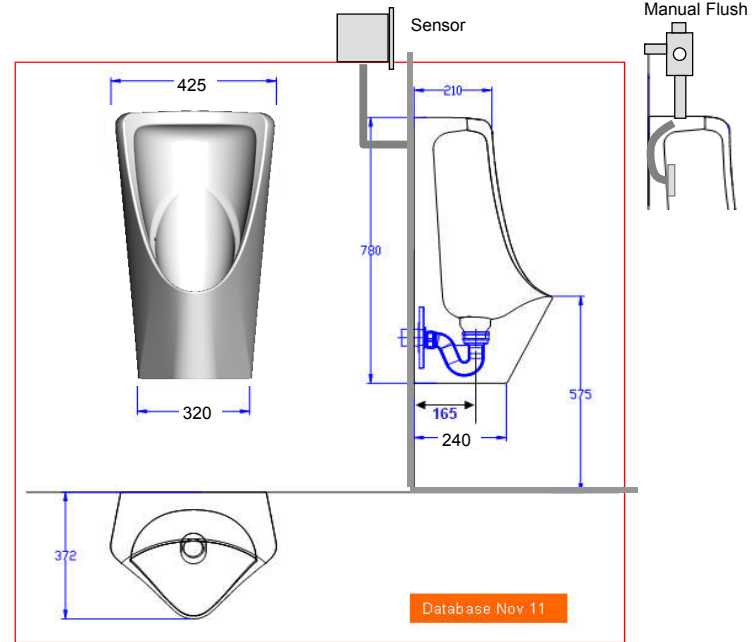


Key specification

New Wall hung Urinal CP-6509

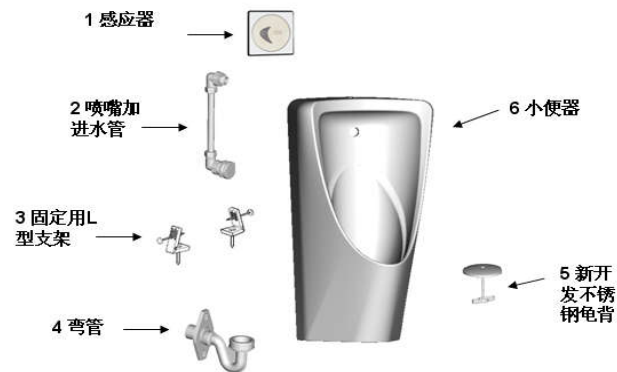
- 1. Basic dimension: W425*L372*H780
- 2. Certification: GB
- 3. Flushing action: Sensor in wall/top inlet
- 4. Flush volume: 0.5L WH
- 5. Roughing-In: discharge to wall
- 6. Weight: 30KG WH bareware
- 7. Material: VC
- 8. Similar model: Concept Urinal(CP-6508)
- 9. MFG Location: HMS
- 10. Mold design: Bank Casting
- 11. Market: China:Yes
Korean:



Key point:

- 1. 0.5L Wall hung type
- 2. Nozzel existing
- 3. siphon type

感应版本



手动版本

