

American Standard

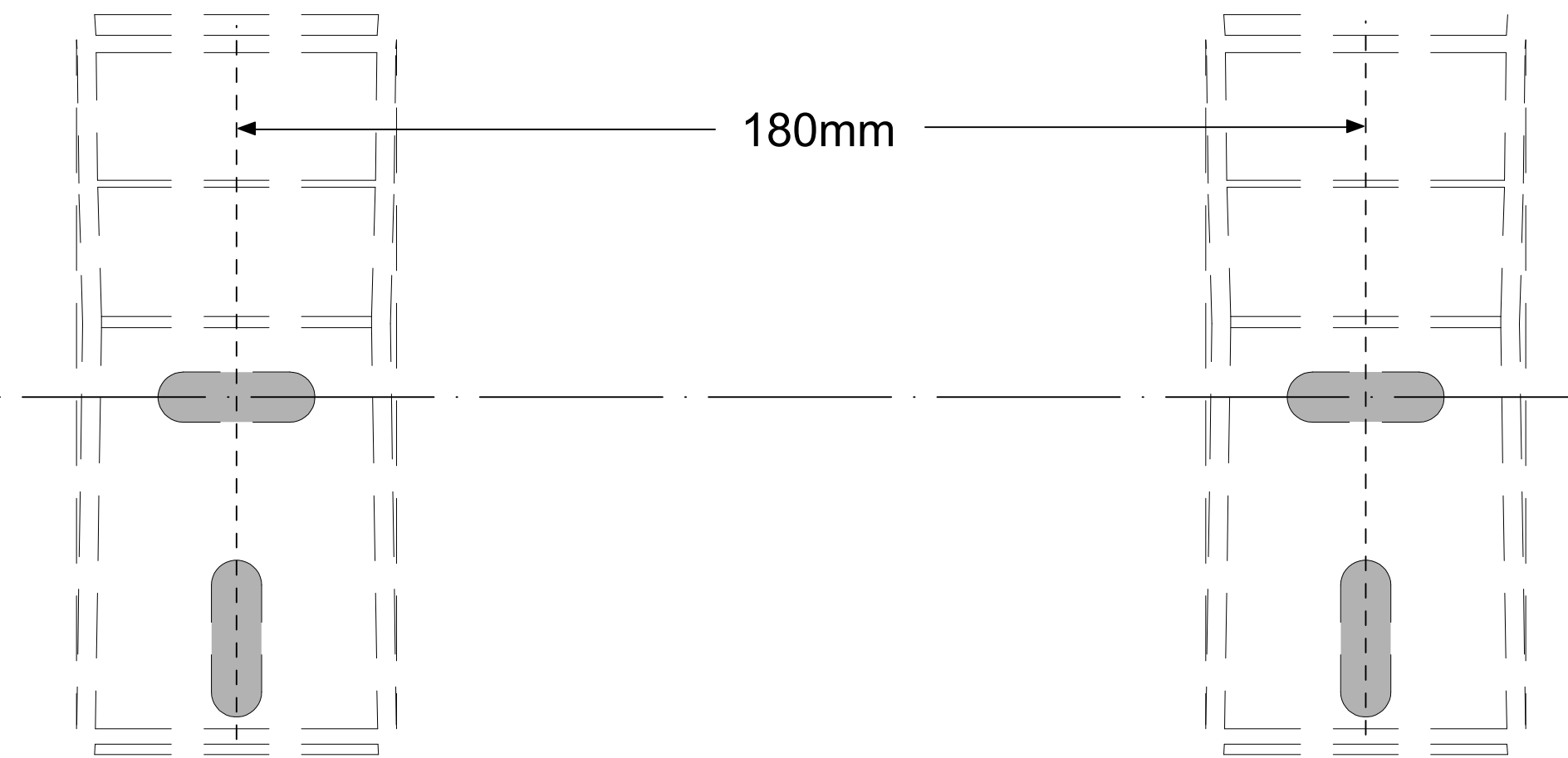
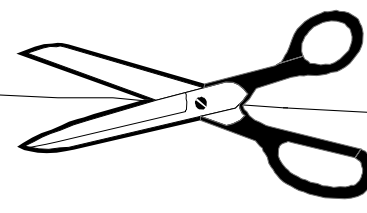
Installation template

Lynbrook 0.5L Water-saving Wall-Hung Urinal CCAS6509

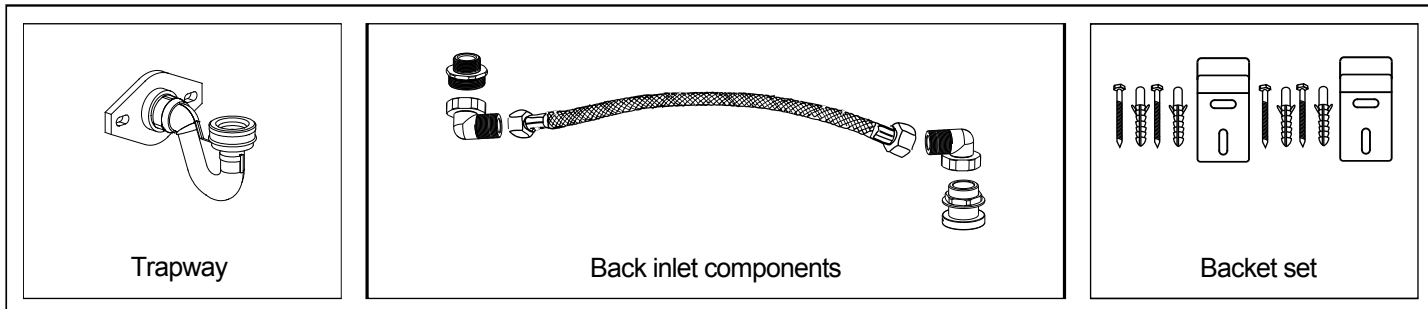
Back inlet hole for sensor FV

70mm

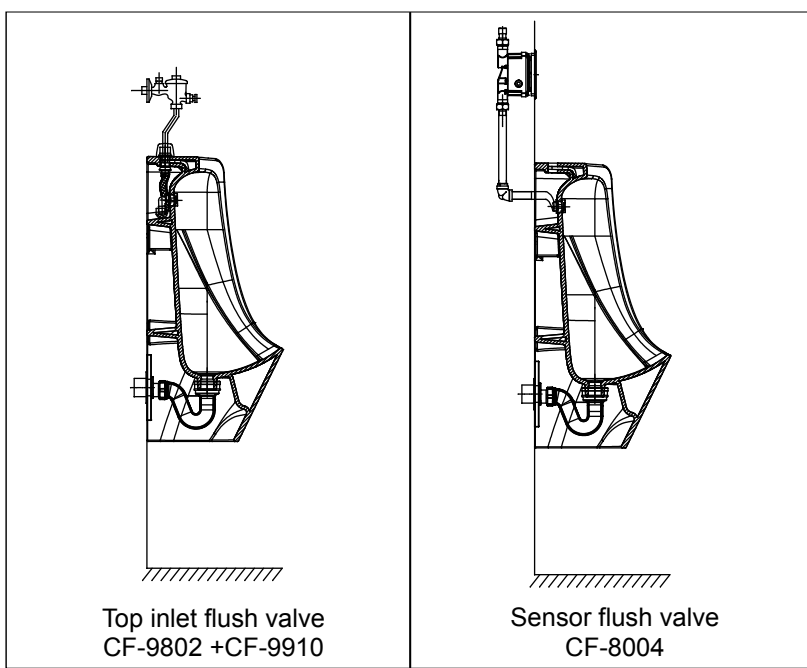
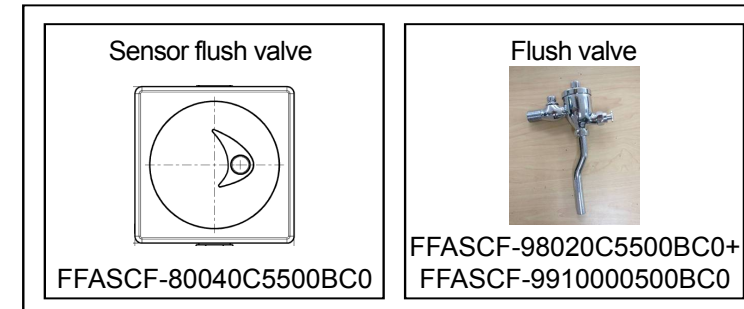
Cutting line



COMPONENT PARTS



RECOMMEND FLUSH VALVE



CAUTION: PRODUCT IS FRAGILE. TO AVOID BREAKAGE AND POSSIBLE INJURY HANDLE WITH CARE!
ALL INSTALLATION PROCEDURES MUST COMPLY IN STRICT ACCORDING WITH APPLICABLE LOCAL PLUMBING AND BUILDING CODES.
 Note: Dimension may vary within the range of manufacturing tolerance.
 Remark: For flush valve or sensor flush valve installation, please refer to relative manual.

480mm(Proposed dimension.)

Waste outlet hole

Finished floor

1 INSTALLATION PREPARATION

The * is proposed dimension.

Put cut-template on the wall, mark mounting holes(A,B,C) according to the dimension, and drill the holes using a drill.

2 INSTALL THE FLANGE

Install the flange on the outlet hole, ensure well sealed, and install the bracket.

3 INSTALL THE TRAPWAY

1 Connect the trapway to the flange.
 2 Adjust the trapway to keep the dimension of the top of the trapway to finished wall and finished floor to be 165mm and 495mm as picture shown.
 3 Pre-install the urinal, and check the match between ceramic and cut template.
 4 Applying PVC cement sowent on the trapway and flange, then connect the trapway to the flange.

Note: If the waste outlet hole is smaller than 46mm, please cut the in-wall part of the trapway according to the mark on the trapway(REFER TO FIGURE 1).

4 INSTALL THE SPREADER

Apply thread seal tape to avoid water leakage.

5 INSTALL THE CONNECTION

A. Top inlet

1. Install top water inlet spud.
2. Connect water inlet pipe (Flush valve) with metal spud.
3. Supply 2 rubber rings for pipe Φ18 and Φ16 mm.
4. Connect with flush valve hose.

B. Back inlet

1. Install the metal spud.
2. Connect water inlet pipe with metal spud.

Install the back inlet components

Connect the nipple and metal spud to the L-shaped bend, then connect the water supply hose.

6 INSTALL THE URINAL

A. Top inlet

Lift up the urinal, ensure the water outlet hole align to the trapway, then put the urinal vertically down to the bracket and trapway, fix the urinal. (Please support the trapway when putting down the urinal to prevent the break of trapway).

B. Back inlet

Lift up the urinal, ensure the water outlet hole align to the trapway, then put the urinal vertically down to the bracket and trapway, fix the urinal. (Please support the trapway when putting down the urinal to prevent the break of trapway).

- Install the sensor according to sensor installation manual.

7 FINISH THE URINAL

- Install the strsiliconeainer.
- Open the water supply valve to check the assembly for any leak, if no leak was found, apply silicone sealant (not supplied) around the urinal base.

AMERICAN STANDARD ONE-YEAR LIMITED WARRANTY

If inspection of this product, within one year warranty after purchasing, confirms that its defective under normal use in material or workmanship. We will repair or, at its option exchange the product of a similar model.
The warranty does not cover the following:

1. None any documentary evidences to show the period of warranty such as receipt, warranty card, etc.
2. Consequential or incidental damages.
3. Defects or damages arising from shipping, installation, alternation, accidents, misuse or lack of proper maintenance.
4. Postage or shipping costs incurred in returning products for repair or replacement under this warranty and any labor or other costs or removal or installation of products under this warranty.
5. A product discontinued.

American Standard(China) Limited Company
 No.24 Building, Gems Park, No.487 Tianlin Road,
 Shanghai, P.R.China, Post code: 200233
 Tel:(86-21) 33952888 Fax:(86-21) 33674255
 Hotline: 800-820-3191
 Http://www.americanstandard.com.cn