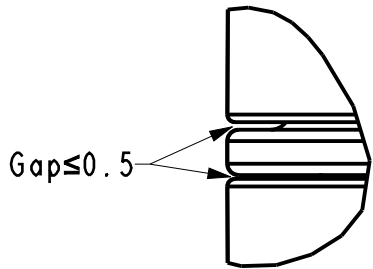
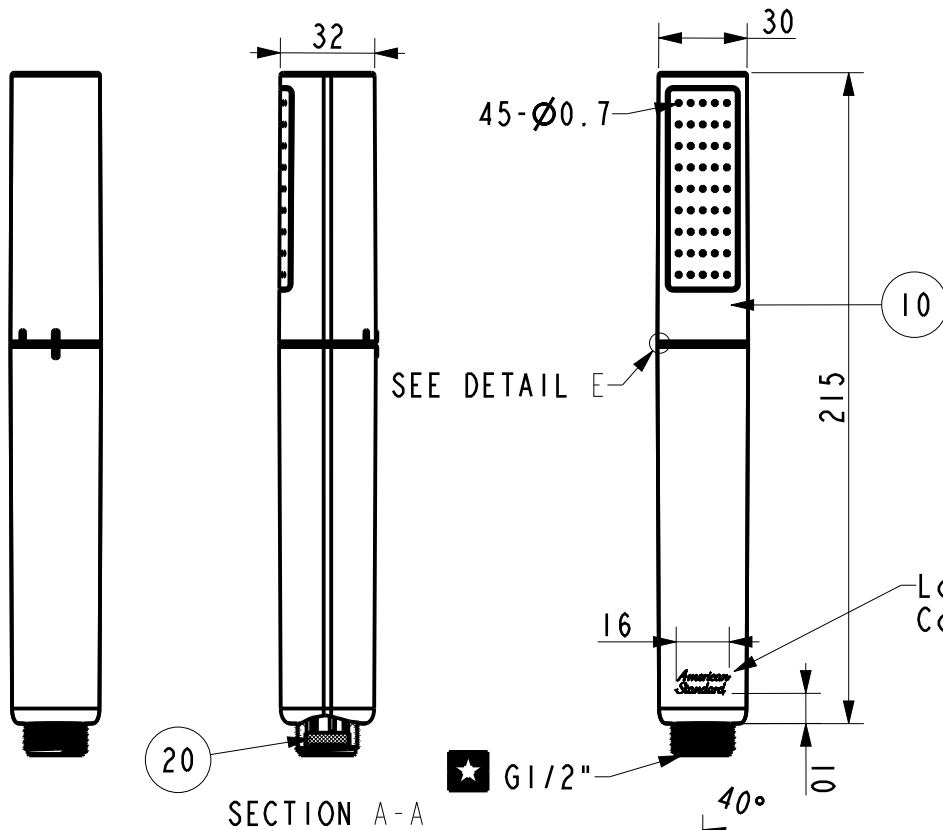


| Tolerance, Unless<br>Otherwise Stated. Is |      |  |  |
|---|------|--|--|
| Above 0.5 to and including 6              | ±0.1 |  |  |
| Excess 6 to and including 30              | ±0.2 |  |  |
| Excess 30 to and including 120            | ±0.3 |  |  |
| Excess 120 to and including 315           | ±0.5 |  |  |
| Excess 315 to and including 1000          | ±0.8 |  |  |
| Excess 1000 to and including 2000         | ±1.2 |  |  |



DETAIL E  
SCALE 5.000



技术要求:

1. 花洒为单功能花洒，顶盖可拆卸功能；
2. 花洒主体材质为ABS757，表面镀铬，面罩为白色，色号：JMF-W1；
3. 花洒的相关性能符合《WI10.0406内控标准-花洒》相关要求；
4. 花洒包装为普通包装；
5. 美标Logo江门厂镭射+丝印；
6. 1Bar 下的流量为4.2~8L/min。
7. 带“★”为重要尺寸，螺纹要求通规通，止规止。

| 20  | FF1-CN521Z0008299P | 2.5GPM恒流阀 (Neoperl 58.6158.0) | Assembly | 1   |        |
|-----|--------------------|-------------------------------|----------|-----|--------|
| 10  | FF1-CN521H0007150P | 双功能杆形花洒 (白色)                  | Assembly | 1   |        |
| No. | Part No.           | Part name                     | Material | QTY | Remark |

|          |          |            |                            |                   |  |
|----------|----------|------------|----------------------------|-------------------|--|
| DESIGNED | 刘卫群      | 2021.10.19 | TITLE                      |                   |  |
| CHECKED  | 田光强      | 2021.10.19 | REF                        |                   |  |
| APPROVED | 李军       | 2021.10.19 | 双功能杆形花洒 亮白<br>(带2.5GPM恒流阀) |                   |  |
| SCALE    | MATERIAL | WEIGHT     | DWG NO.                    | American Standard |  |
| 2:5      | Assembly |            | FFASS507-000090BF0         |                   |  |

| REV | DESCRIPTION | DATE | NAME |
|-----|-------------|------|------|
|     |             |      |      |