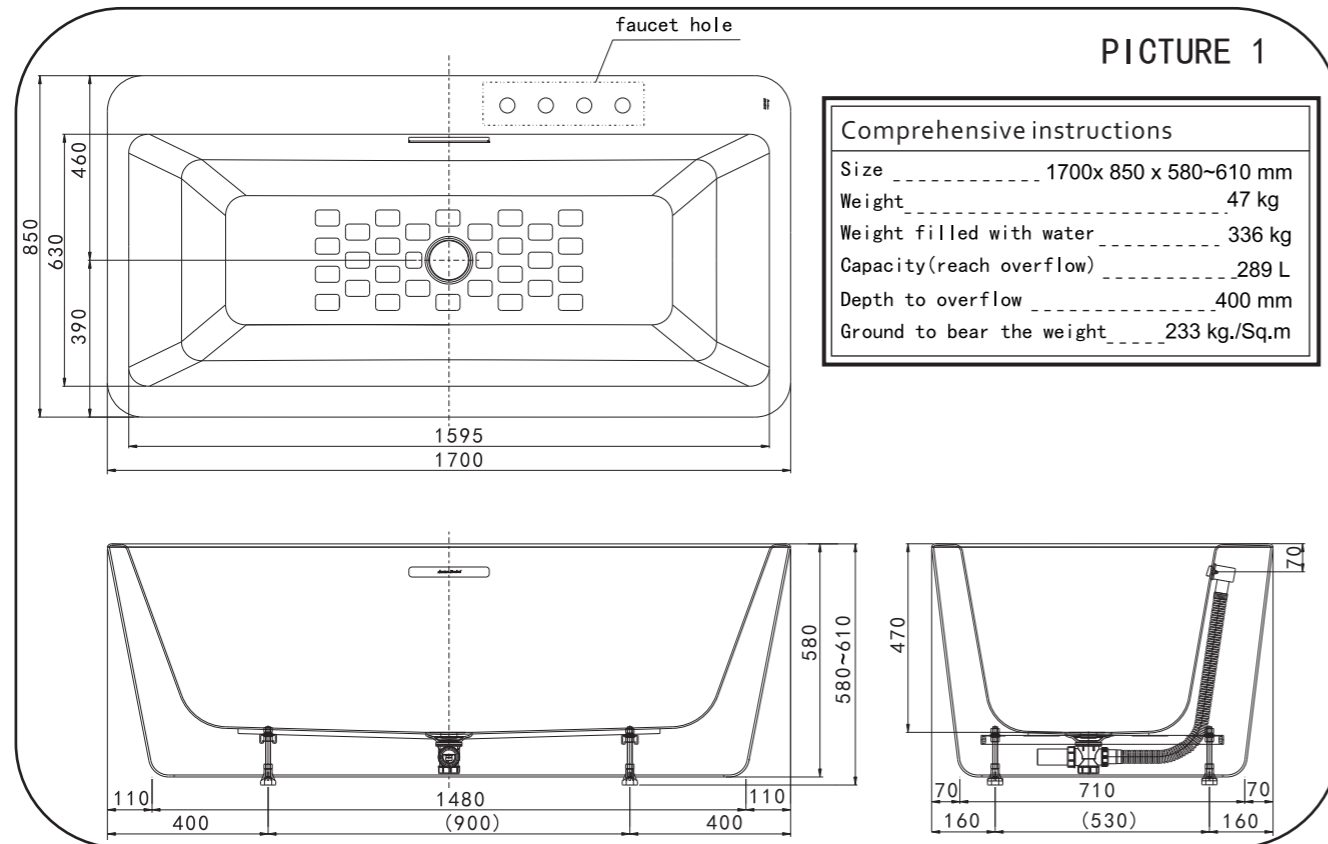


Note	• Please read this instruction manual before correct installation and use.	• American Standard Company reserve the right to make changes in product characteristic.
	• Test after the finish installation.	
	• Be sure to leave this instruction manual for customers	

Product Schematic Diagram



Use and Maintenance Instructions

1. Please inject some cold water, and then hot water during use. If the hot water is injected first, it is adverse to the bathtub surface and drainage appliances, and even cause aging.
2. In order to facilitate your cleaning of the bathtub, you are recommended to immediately clean the soap, body fat and dirt with sponge or soft cloth dipped in neutral detergent, and then wash with water when the water is just drained and the bathtub is not dry yet after shower; otherwise, the dirt will deposit on the bathtub wall after a long time, then it is difficult to clean.
3. Pay attention to preventing heavy objects, hard objects and sharp objects from hitting the bathtub.
4. Do not put the lighted cigarette on the bathtub surface, otherwise it may leave burnt scars.
5. Do not put the hairpin that is easy to rust in the bathtub, to avoid the rust difficult to remove.
6. There may be dirt due to water quality; therefore, the bathtub should be cleaned regularly.
7. In case of minor scratches or scrapes on the surface of the bathtub, the metal polishing agent or auto polishing agent can be used, and soft cloth is used for polishing.
8. The drain port should be completely cleaned for each use; otherwise the hair and others will accumulate in the drain pipeline, causing poor drainage.
9. It is not allowed to pour paint, oil products, strong acids, strong alkalis, organic solvents (such as acetone, xylene, rosin water), etc. into the bathtub.

Installation Notes

1. Carefully read this instruction manual before installation and construction. In case of damage or other accidents caused by failing to carry out construction as specified in the instruction manual our company will not bear the corresponding responsibilities; therefore, customers should pay attention to it.
2. The product may be damaged due to transport; therefore, check and confirm before construction. In case of the above situation, please contact with the sales shop or our company. The damage, scratches and other problems after construction go beyond the scope of our product assurance.
3. The required number of people should be ensured for carrying the bathtub. Do not drag the bathtub on the ground to avoid damage.
4. Be sure to check drainage fittings after assembled in the bathtub before construction, tighten the nuts, confirm no water leakage, and then the appropriate amount of silica gel can be coated around the sealing parts after the body is installed.
5. The protective film on the bathtub can be removed after kept to the completion of construction.
6. Set aside the maintenance hole during installation.

- (1) Do not directly fix the bottom of the bathtub with plaster; do not directly apply force from the back of the bathtub; do not support only with the handrails; otherwise, it may damage the bathtubs.
- (2) Do not put heavy objects on the bathtub surface, and plaster should not be attached on the surface.
- (3) The bathtub cannot contact with the cleaning agents containing hydrochloric acid or other corrosive cleaning agents washing the tiles; in case of contact, immediately clean with water.
- (4) Construction cannot be conducted when standing on the bathtub, or when the ladder or stool is put in the bathtub.
- (5) Prevent the flame of blast burner, welding sparks, cigarette spark and others from contacting with the bathtub.
- (6) Please don't move the tub before the glass glue become curing.

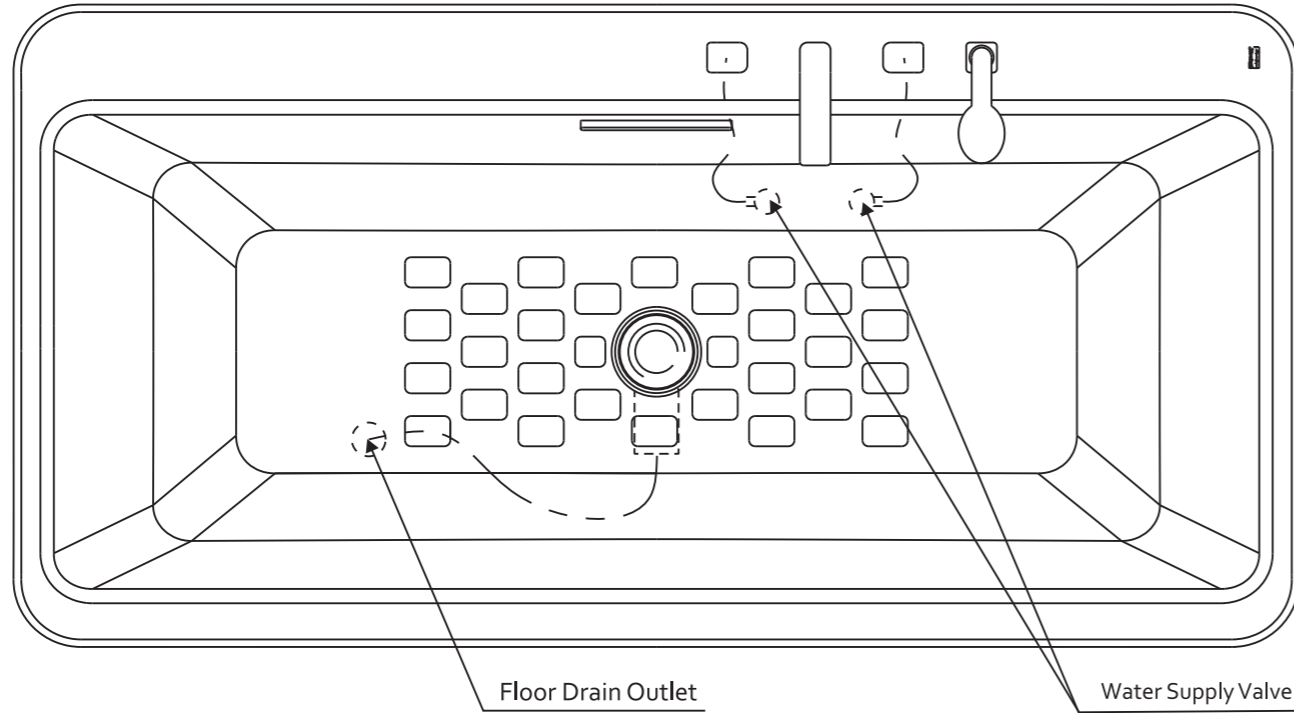
After-sales Service

1. In the case of fault that is difficult to store water, please confirm whether the drain valve is closed tightly before authorizing to repair.
2. In case of faults that cannot be handled, please contact the sales shop where you buy or our company, and we will serve you whole heartedly.
3. Our company shall provide three-year free maintenance for the bathtub body, and one-year free maintenance for other parts. Within the free warranty period, in case of product quality problems under normal use and maintenance by users, our company will be responsible for free repair or replacement (if there is not the same model, replace it with the similar model, and our company shall reserve the right).
4. Contact methods:
In case of faults that cannot be handled, please contact the local franchised dealer of American Standard Company
Address: 1/6 Moo1, Phaholyothin Rd. KM32, Klong-Nueng, Klongluang, Patum-thani Thailand 12120
Office tel: +66 (0) 2-901-4455
After service TEL: +66 (0) 2-102-2222

Installation Methods and Steps

1. According to the faucet installation manual to install the faucets into the faucet hole (refer to picture 2), the house of faucet is provided by user.
 2. Confirm that the drain components are firmly installed, without looseness or water leakage.
 3. Confirm whether the positions of bathtub drain and ground drain ports are aligned (refer to picture 2), the bellows which connect the tub drain and floor drain outlet is provided by user.
 4. Use glass glue fill the tub with the ground clearance evenly, then the tub cannot be moving in 24 hours.
- ※Have a correct understanding of the installation methods in combination with the above instructions. In addition, pay special attention to the following matters:

Note	• Please read this instruction manual before correct installation and use.	• American Standard Company reserve the right to make changes in product characteristic.
	• Test after the finish installation.	
	• Be sure to leave this instruction manual for customers	



PICTURE 2
(Unit: mm)

