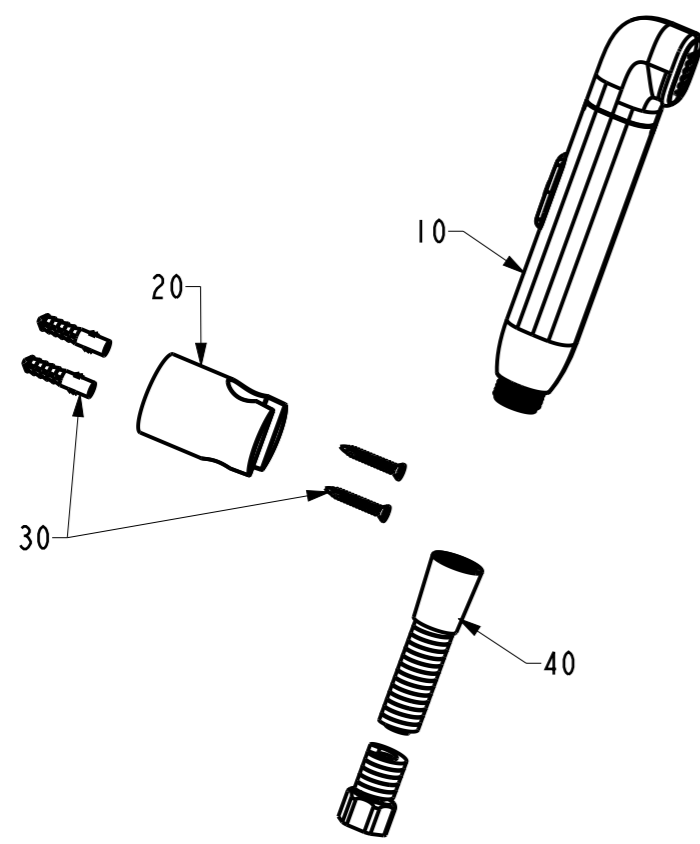
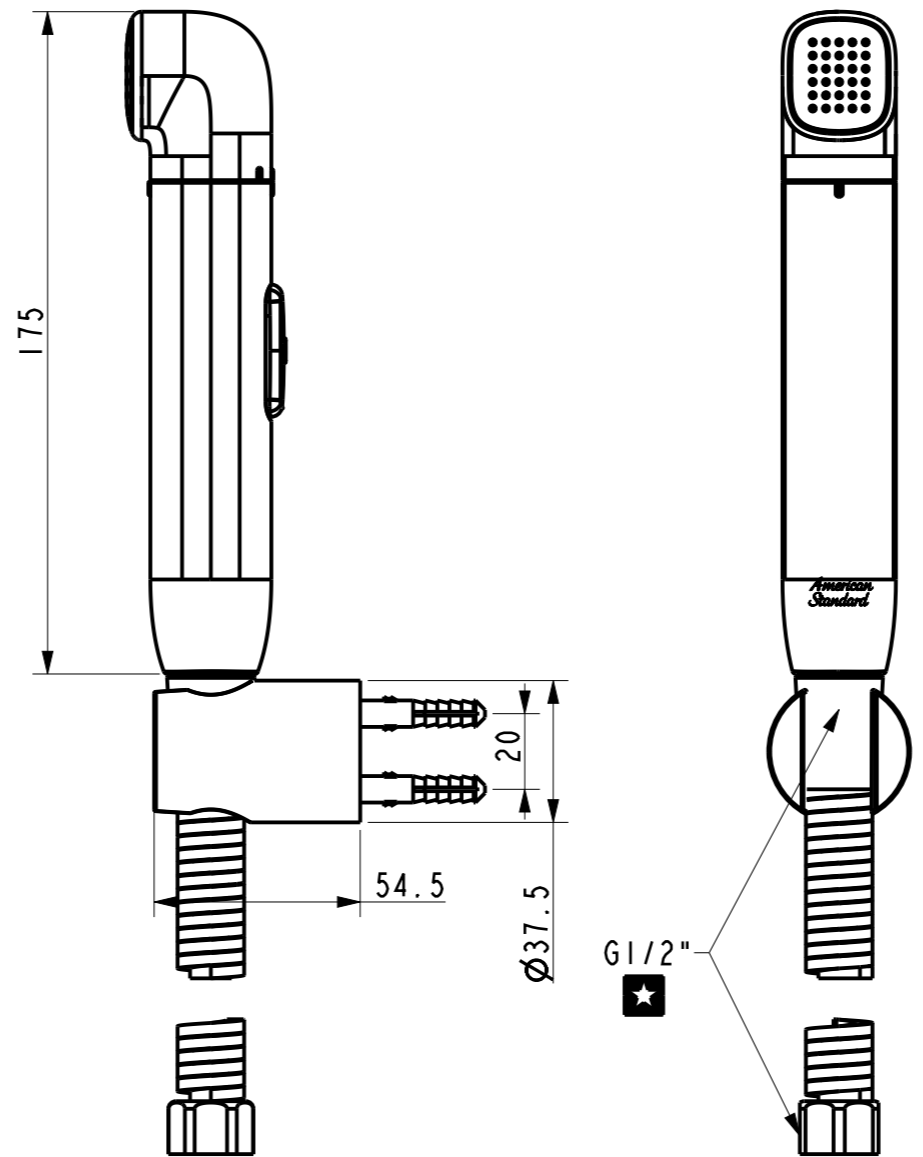


2021年10月29日
A/O

| Tolerance, Unless Otherwise Stated, Is | | | |
|--|-----------------------|------|------|
| Above | 0.5 to and including | 6 | ±0.1 |
| Excess | 6 to and including | 30 | ±0.2 |
| Excess | 30 to and including | 120 | ±0.3 |
| Excess | 120 to and including | 315 | ±0.5 |
| Excess | 315 to and including | 1000 | ±0.8 |
| Excess | 1000 to and including | 2000 | ±1.2 |



SCALE 0.300



技术要求:

- 零件外观清洁, 不得有尖锐棱角、碰划伤、披锋等缺陷, 具体细节须符合标准《WI10.6086》的规定;
- 耐腐蚀性: AASS, 24H, 10级
- 螺纹表面不应有断牙、凹痕等明显缺陷; 外接螺纹G1/2"须符合通规通、止规止;
- 流量: 在动水压1bar下, 流量 $2 \leq Q \leq 6$ L/min;
- 密封性能(喷枪组件):
 - 在17.5bar静压下关闭喷枪保持60s不渗漏;
 - 在5bar动压下切换按钮开关不渗漏;
 - 在0.5bar动压下切换按钮开关不渗漏;
- 寿命(喷枪组件): 达到10万次; 试验过程中零部件不应出现断裂、卡阻和渗漏现象; 试验完成后喷枪组件的密封性能应符合5的规定;
- 按钮操作力 ≤ 35 N;
- 喷枪的其他要求须符合标准《WI10.6086》的规定;
- 带“★”为重要尺寸, 螺纹要求通规通, 止规止。

| No. | Part No. | Part Name | Material | QTY | Remark |
|-----|--------------------|----------------------|----------|-----|--------|
| 40 | FF1-CN521T0006199S | 不锈钢喷枪软管 (1.2M) | Assembly | 1 | |
| 30 | FF1-CN521X00000012 | 1581742899十字盘头自攻螺钉组件 | Assembly | 1 | |
| 20 | FF1-CN521H00000058 | 1582352550睿欧浴缸花洒支架 | Assembly | 1 | Chrome |
| 10 | FF1-CN521H0007650P | 双功能小精灵喷枪 (电镀+哑黑) | Assembly | 1 | |

| | | | | |
|----------|----------|------------|------------------------------------|--|
| DESIGNED | 刘卫群 | 2021.10.19 | TITLE | |
| CHECKED | 段光林 | 2021.10.19 | REF | |
| APPROVED | 李海青 | 2021.10.19 | 双功能小精灵喷枪 (电镀+哑黑) 带花洒支架+1.2M不锈钢花洒软管 | |
| SCALE | MATERIAL | WEIGHT | DWG NO. | |
| 1:2 | Assembly | [.0] | FFASTS28-000440BF0 | |

American Standard

| REV | DESCRIPTION | DATE | NAME |
|-----|-------------|------|------|
| | | | |