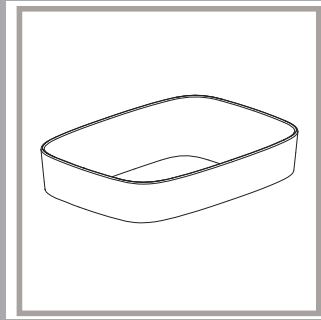
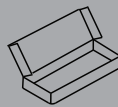
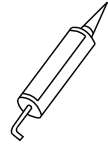
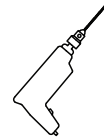
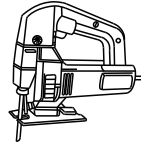
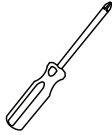
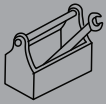
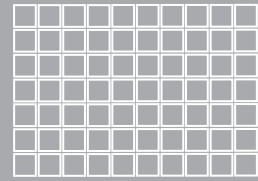


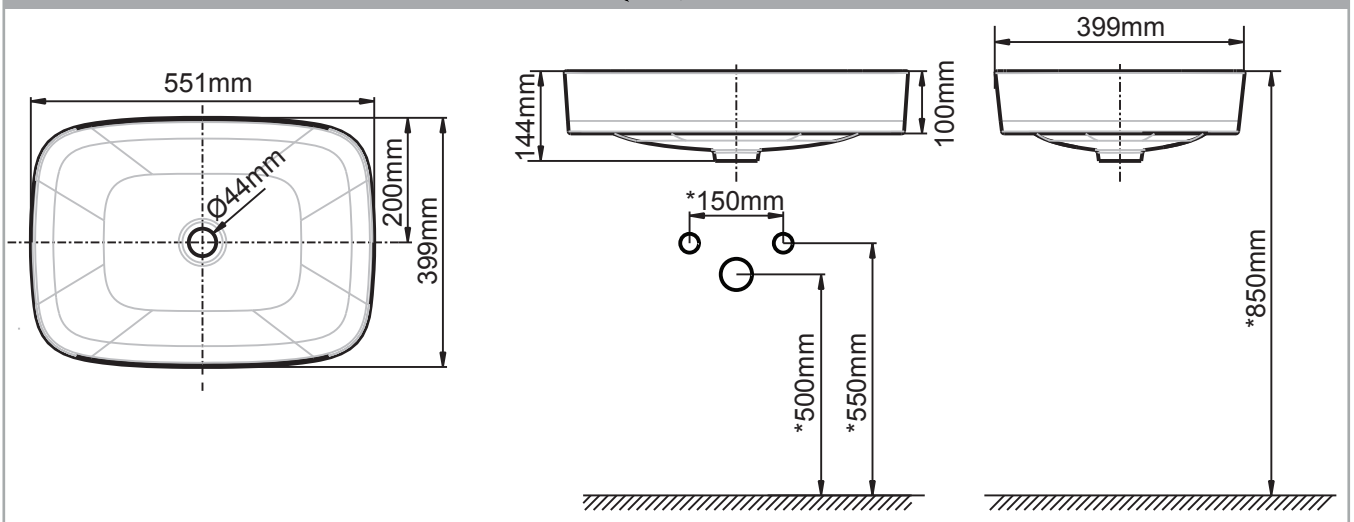
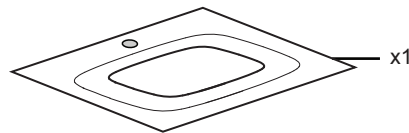
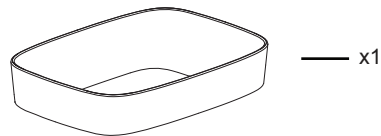
CCAS0628-000

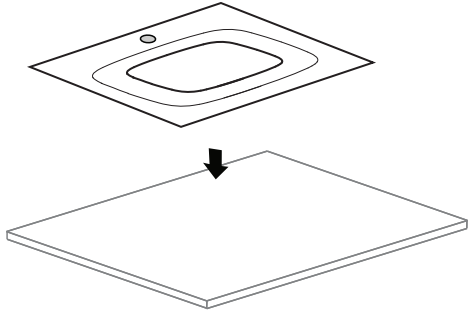


American Standard

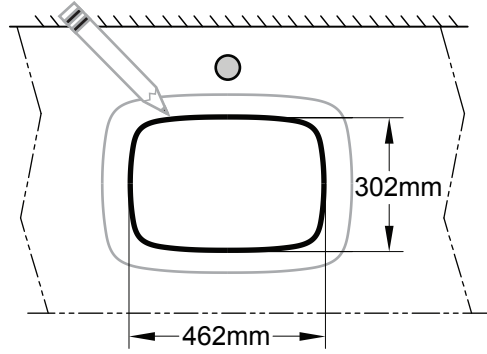


CCAS0628-000

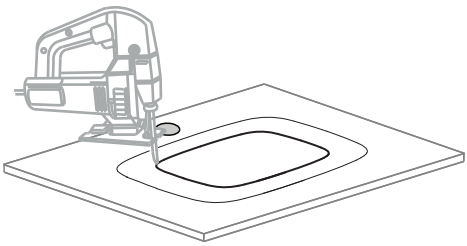




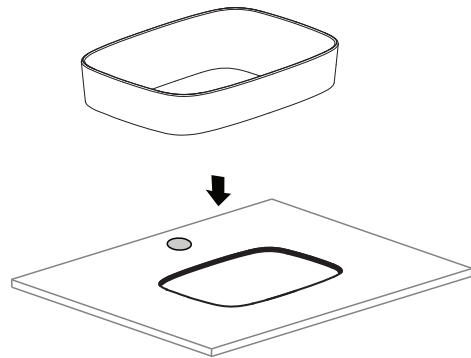
1



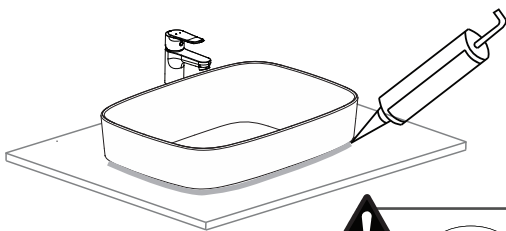
2



3



4



5



CARE AND MAINTENANCE

Do not use harsh abrasives or caustic cleansers to clean fixture surface. A mild detergent, warm water, and a soft cloth will remove normal dirt and soap accumulations from fittings and surfaces. Rinse thoroughly after cleaning and polish with a soft dry cloth to restore original luster of material.

保养和清洁

不要用粗糙的研磨剂和腐蚀性的清洗器清洁产品表面。用温和的清洁剂，温和的水和一张软布就可以将配件和产品表面的一般污渍和肥皂聚积物清除干净。在清洗之后用柔软的干布将产品表面擦干使之恢复原有的光泽。

DISCLAIMER

We recommend consumers to use the accessories we recommend (CF-9322.000.50 waste overflow). Otherwise American Standard is not in charge of it once any spill out.

否认声明

该产品没有溢水孔，所以我们强烈推荐您使用我们向您推荐的CF-9322.000.50排水装置。否则，若因没有使用CF-9322.000.50排水装置而造成的溢水问题，美标公司将不对此负责，客户也不能因此而投诉。