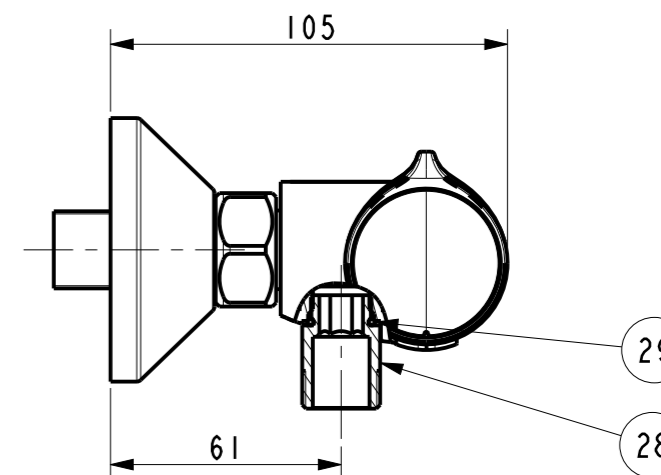
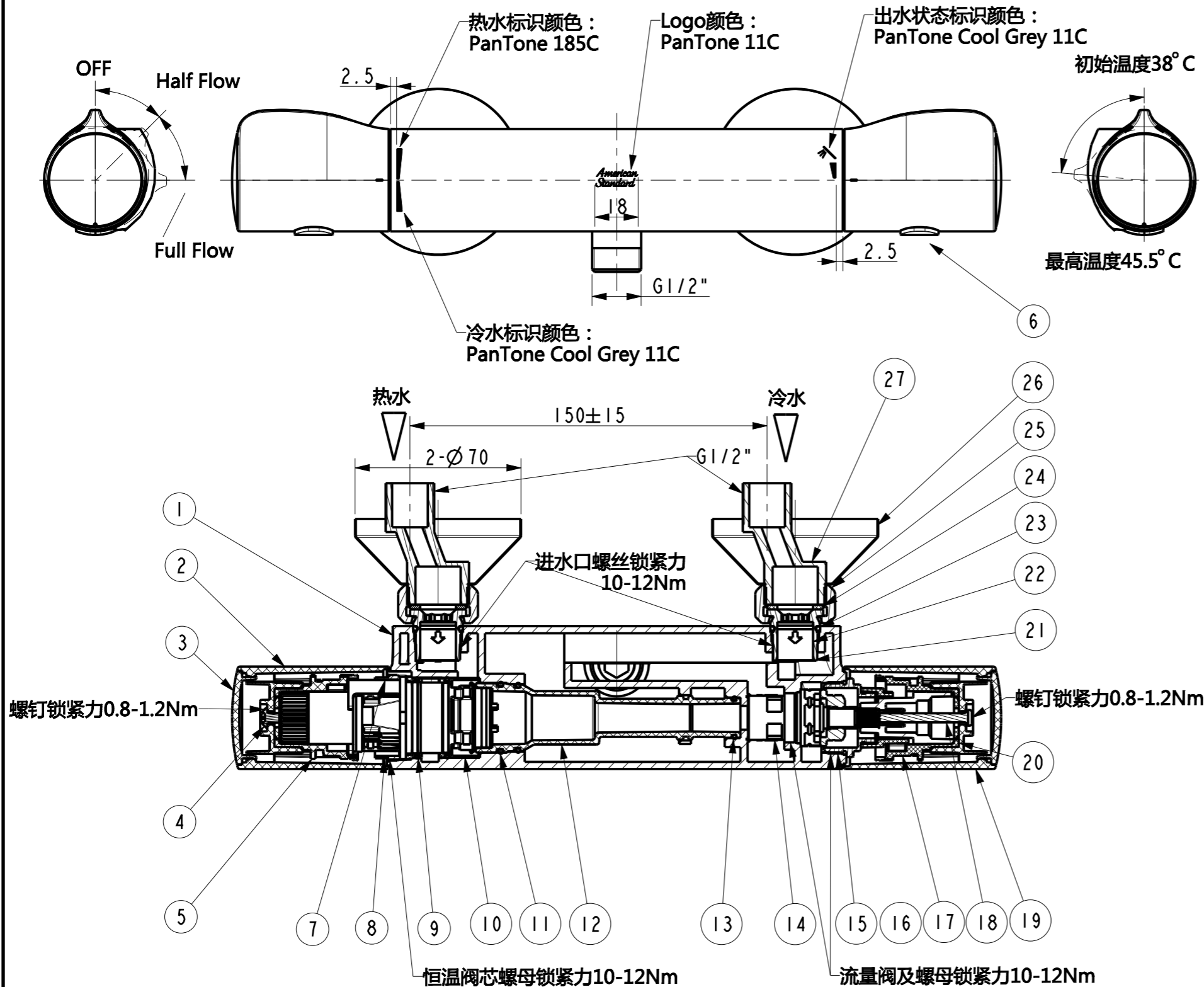


Tolerance, Unless Otherwise Stated, Is			
Above 0.5 to and including 6	±0.1		
Excess 6 to and including 30	±0.2		
Excess 30 to and including 120	±0.3		
Excess 120 to and including 315	±0.5		
Excess 315 to and including 1000	±0.8		
Excess 1000 to and including 2000	±1.2		



NO.	Component Code.	Describe	Qty.	Material	Remark
29	FF1-CN521G0000009	O Ring Ø14×Ø1.78	1	NBR	
28	FF1-CN521J00000193	Adapter(M16×1.5)	1	Hpb59-1	
27	FF1-CN521J00000242	Small S Con Tube (Cr)	2	SUS304	
26	FF1-CN521F00000094	2000 Escutcheon(Cr)	2	Hpb59-1	
25	FF1-CN521N00000291	NUT-G3/4inch,Cr	2	Hpb59-1	
24	FF1-CN521G00000341	Washer Ø24×Ø15×2(A913204)	2	NBR	
23	FF1-CN521G00000251	O Ring Ø17×Ø2	2	NBR	
22	FF1-CN521J00000381	Nipple(M20×1)	2	Hpb59-1	
21	FF1-CN521Z000005199	Check Valve (30404300002)	2	Assem	
20	FF1-CN521J0015999P	Adaptor for Diverter	1	Assem	
19	FF1-CN521L0006850P	Handle for AS exposed THM (Right)	1	ABS	
18	FF1-CN521N00000240	Srew (A918564)	1	SUS304	
17	FF1-CN521J0011499P	Adaptor	1	ABS	
16	FF1-CN521Z0006399P	Adjuster for flow rate	1	ABS	
15	FF1-CN521N0004099B	Nut for Diverter	1	Hpb59-1	
14	FF1-CN521C00000028	90 Degree CD Valve(GN-20)	1	Assem	
13	FF1-CN521G00000134	O Ring Ø12.72×Ø1.78	1	NBR	
12	FF1-CN521T0002299P	Mixed water pipe for exposed THM shower only	1	PSU	
11	FF1-CN521G00000111	O Ring Ø24×Ø2	2	NBR	
10	FF1-CN521Z0006899P	Water Guide	1	PPE/PC+GF20	
9	FF1-CN521G00000332	O Ring Ø29.87×Ø1.78	2	NBR	
8	FF1-CN521N0004199B	Nut for Thermostatic Valve	1	SUS304	
7	FF1-CN521C0002099P	Thermostatic Valve	1	Assem	
6	FF1-CN521J0011550P	Button for THM handle	2	ABS	
5	FF1-CN521J0011399P	Adaptor for Thermostatic Valve	1	Assem	
4	FF1-CN521N00000130	Screw	2	SUS304	
3	FF1-CN521F0005450P	Handle cover for exposed thm bns	2	ABS	
2	FF1-CN521L0005850P	Handle for AS exposed THM (Left)	1	ABS	
1	FFZZ0021-0021550PL	Body for exposed THM Shower	1	GkMs60Fk	

DESIGNED			TITLE
CHECKED			REF
APPROVED			挂墙式恒温淋浴龙头
SCALE	MATERIAL	WEIGHT	DWG NO.
0.500	Assembly		FFAS4950-709500BC0

**American Standard**

REV	DESCRIPTION	DATE	NAME

技术要求:  
1、产品的镀铬面符合《WI10.0562 内控标准-电镀产品外观检验标准》;  
2、产品性能符合《WI10.0504 内控标准-陶瓷片密封水嘴(通用)》及《WI10.0570 恒温龙头》