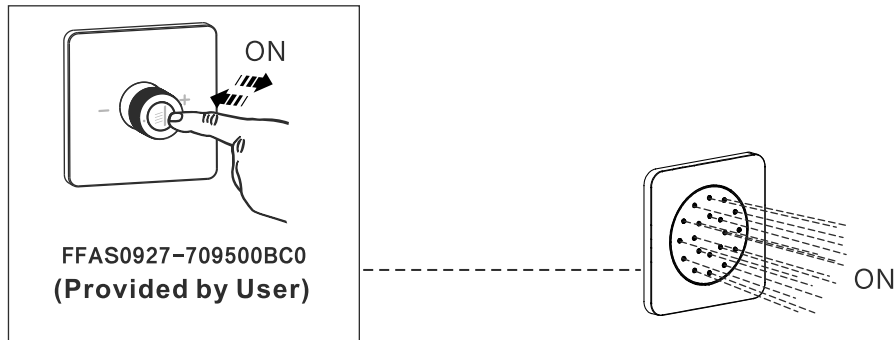


Test / Usage

1 Test

- * Turn handle to "OFF" position. Open water supply valve to check all connections for leakage;
- * Turn handle to "ON" position. Check the water flow .

2 Usage



Trouble Shooting Guide

Trouble	Checkpoint	Contents	Action
Poor flow rate	Water supply valve	Check valve position.	Open it to full valve
Leakage	Cartridge packing	Check cartridge install.	When packing is damaged, replace the cartridge.
Deviant Temperature	Supply Valve	Check if the water from Supply valve is enough or not	Increase water supply
	Supply system	Check if the supply pipe connected correct or not	Connect the hot and cold water pipe correctly

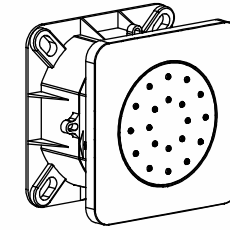


Attention:
Please Leave the manual to the customer
after installation is finished.

FFASS054-000XXXBF0
FFASS054-000XXXBT0

Body Showers With Conceal Body

XXX = AL0 / A00 / DA0 / GL0 / 440 / 500



American Standard

Installation &
Operation Instructions

Thank you for selecting American-Standard - the benchmark of fine quality for over 100 years.
To ensure that your installation proceeds smoothly--please read these instructions carefully before you begin.

- * American Standard always keep raising and improving the product design and performance, and reserve the right to modify the dimension and specification. At this case, we will not inform you separately.
- * This installation instruction sheet is for your reference only, the dimension and specification is subject to the actual products.

Pre-Installation Checks

- * All instruction procedures must comply in strict accordance with applicable local plumbing and building codes
- * Remove all impurity in pipes before beginning to avoid clogging. Connect faucet pipes correctly.
- * Check installation distances in the Dimension diagram to ensure correct installation.

Conditions for use:

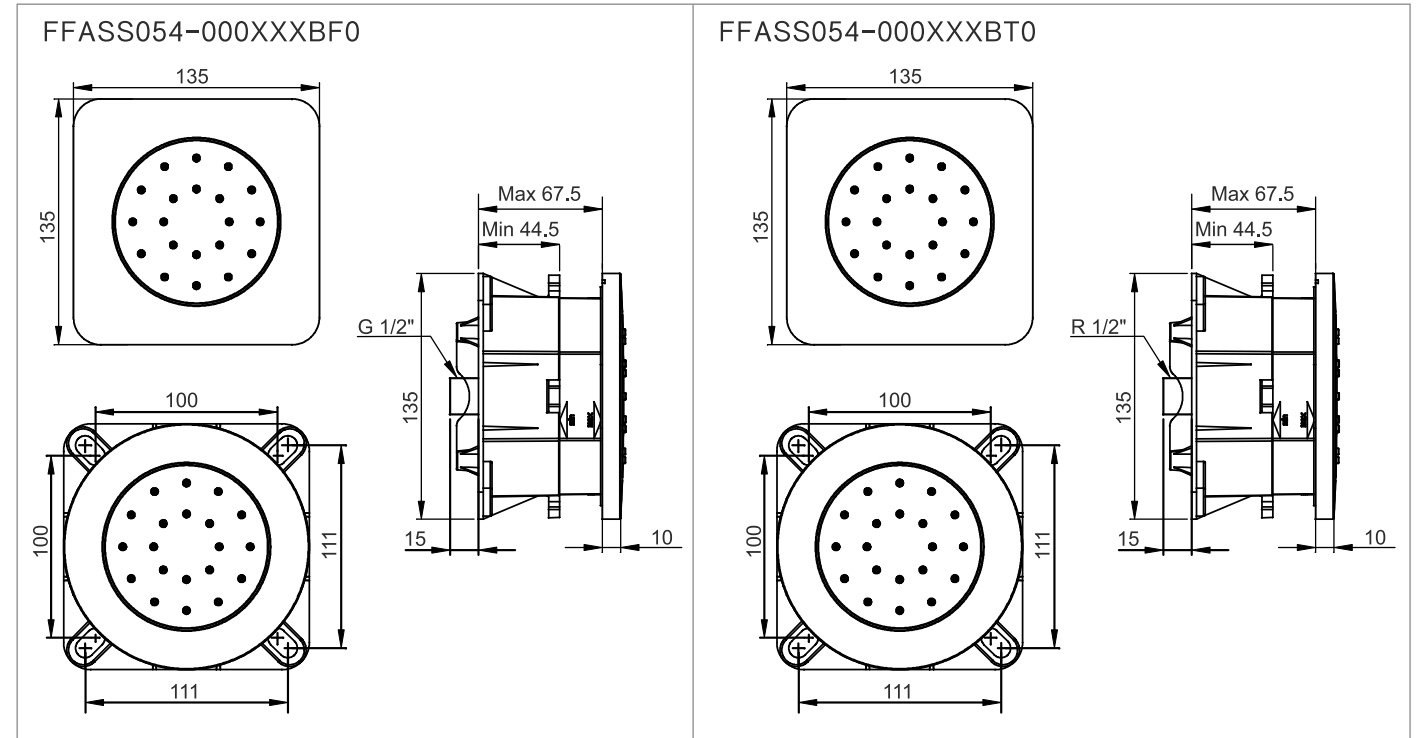
- * Recommended water pressure condition: (Dynamic Pressure) : 0.1Mpa-0.5Mpa
- * Environment Temperature:1~55°C
- * Water temperature: 4 ~ 90°C
- * The cold and hot water pipes must not be reserved. Steam is not allowed to use.

Recommended Tools and Materials



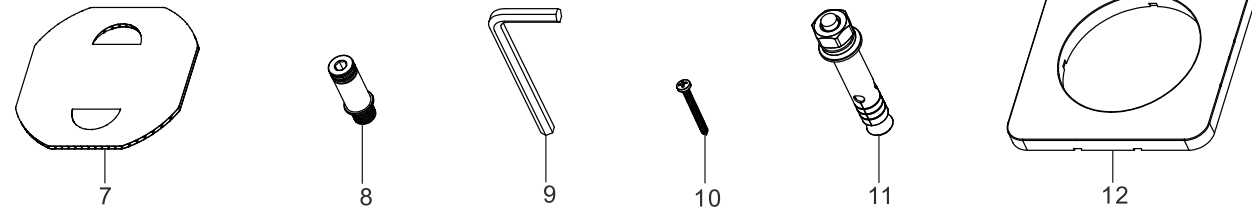
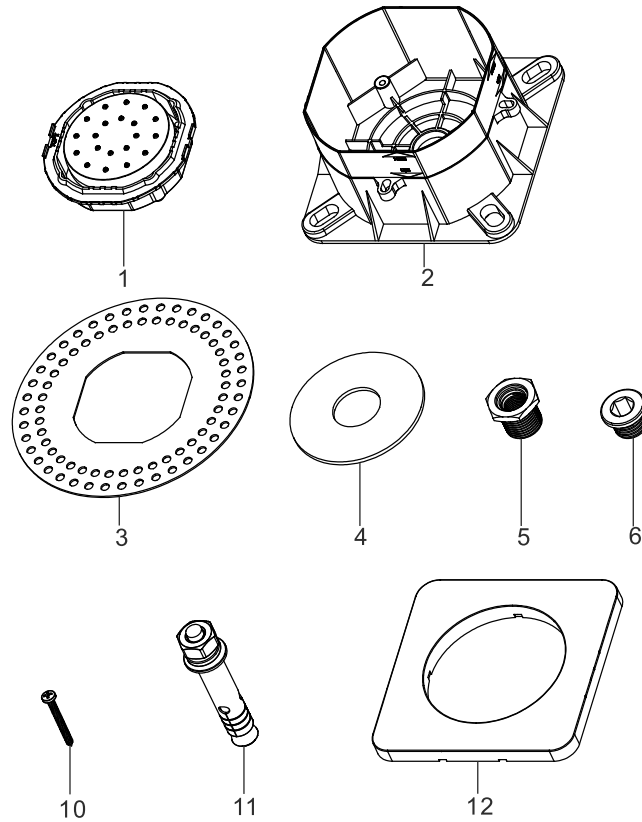
Dimension

Unit: mm



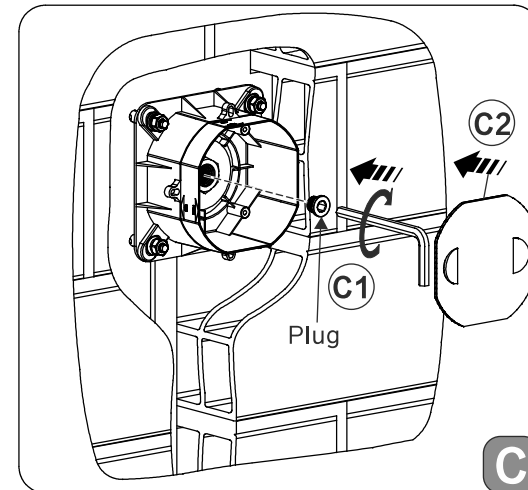
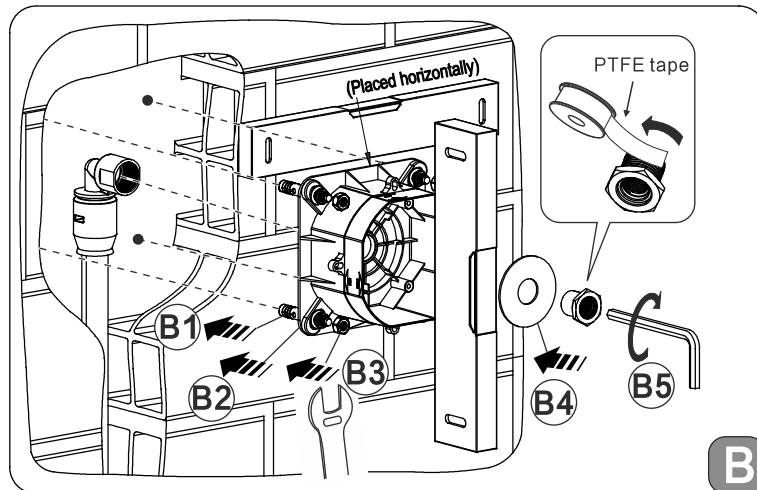
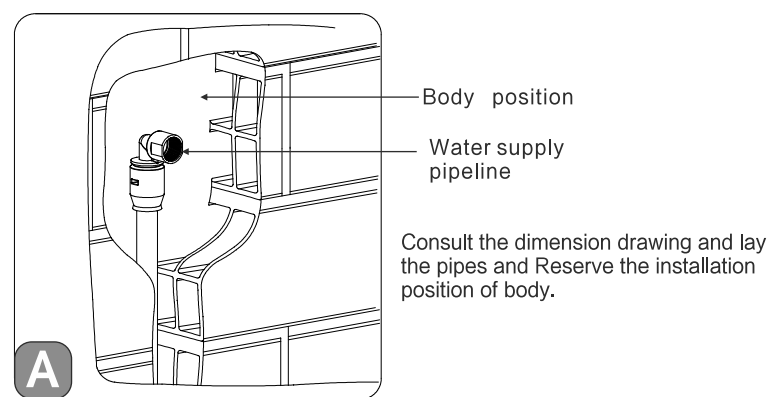
Parts List

Parts List		
No.	Part Name	Q'ty
1	Body Jet	1
2	Built in Box	1
3	Mounting Pads	1
4	Flat Washer	1
5	Connection 1/2"GM 1/4"GF	1
6	Cap 1/4"G with o-ring	1
7	Cover	1
8	Connection 1/4"GM with o-ring	1
9	Hex Wrench(8mm)	1
10	Screw d4.2xL38	8
11	Expansion Bolts M6x60	4
12	Rose	1



Installation

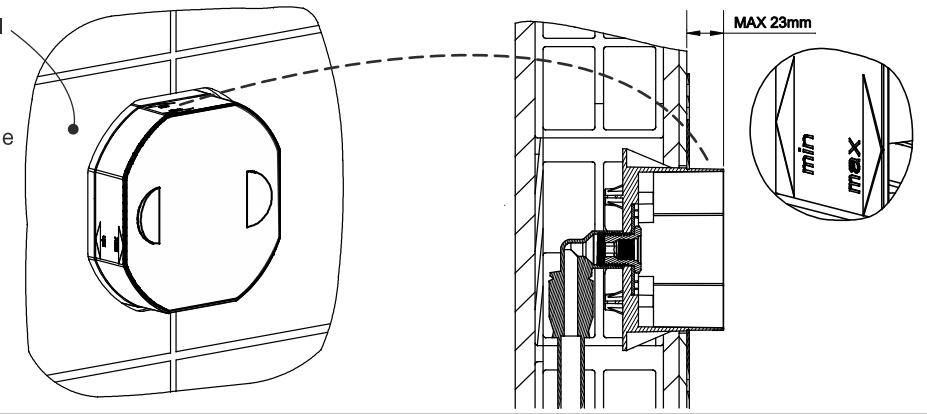
1 Installation Built in box



Finishing the Wall

Finish wall should be between the minimum and the maximum

D



2 Installation Body jet

