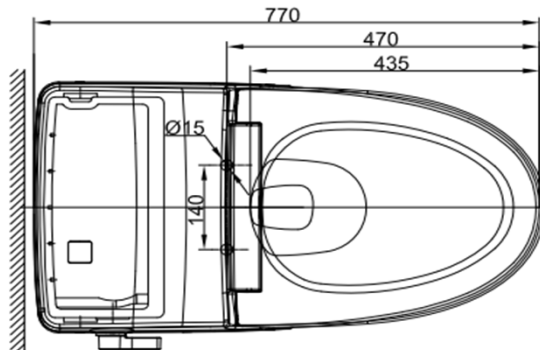
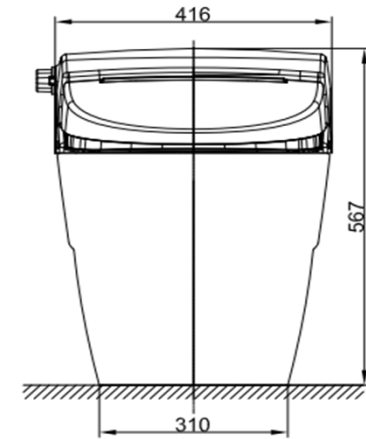
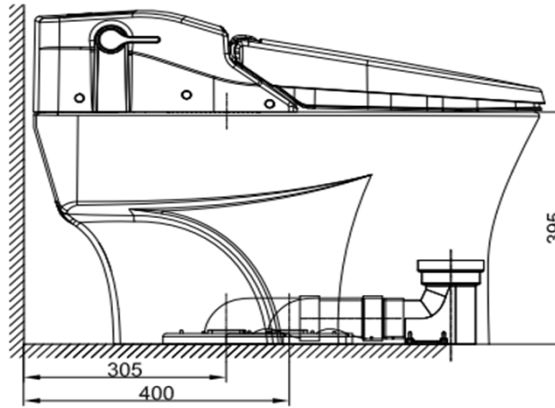


### Key Specification

Product Type	shower toilet
Basic Dimension	770*416*567(total)
Certification	GB, ASME
Quality Requirement	Keep same as AS
Flush Action	Siphonic jet
Special Flush (Platform)	auto sensor & remote control
Flush Volume	6 L
Coated Ceramic	N/A
Rimless	No
Additional Glazing Area	Trap inside
Color	亮白II
Brand Logo / Color	American Standard
Installation	fixing bolts
Seat & Cover	N/A
E-bidet Matching	E-bidet
Conceal Tank System	N/A
Tank Trim	WDI
Roughing-In	305/400
Water Connection	N/A
Water Pressure	0.05Mpa (dynamic pressure)~0.75Mpa (static pressure)
Weight	48 KG for ceramic part
Material	VC
Similar Model	N/A
Logo	American Standard
MFG Location	ceramic in SHC
Mold Design	Bank Casting
Market	Region
Other Remark	



Customer	AS	<b>LIXIL</b>
MFG	SHC	
Develop	IDC	5312/13
		updated:1 Mar 2017