

FFAS0925-709500BC0

**Easyset**

Easy Dial for Hand Shower

**STYLE SEGMENT**

- Contemporary

**KEY SPECIFICATIONS**

- Product Description: EasySET for Hand Shower
- Bathroom Faucet Type: Contact us for more information
- Colour: Chrome
- Hand Shower Included: Contact us for more information
- Flow Rate: 46



**SHIPPING WEIGHT**

- Net Weight: Contact us for more information
- Gross Weight: Contact us for more information

**KEY TECHNOLOGIES AND FEATURES**

**HYGIENE**

- Complies with American Standard Quality Standards

**COMFORT**

- EasyClick

**CONVENIENCE**

- Push & Turn

**DURABILITY**

- Durashine

**SUSTAINABILITY**

- Complies with American Standard Quality Standards

**SAFETY**

- Complies with American Standard Quality Standards

**OTHERS**

- NIL

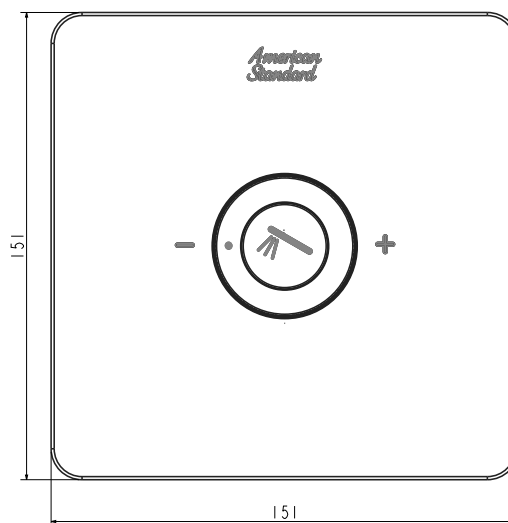
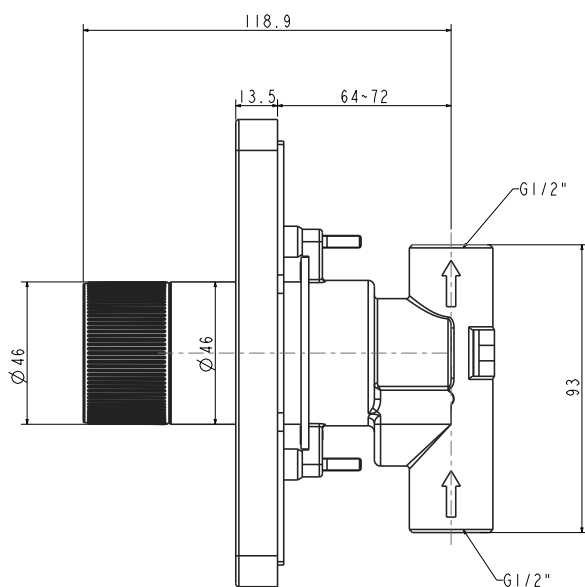
**STANDARDS AND CERTIFICATIONS**

- QBT 1334-2013

FFAS0925-709500BC0

**Easynet**

Easy Dial for Hand Shower



FFAS0925-709500BC0

**Easysset**

Easy Dial for Hand Shower

<b>Product</b>	Description	EasySET for Hand Shower
	Weight (kg)	1.3
	Dimensions (mm)	151 x 151 x 118.9
	Finish	Chrome
	Flow Rate	46
	Mounting Location	Wall Mount
<b>Material &amp; Color</b>	Material	Brass
	Color	Chrome
<b>Bathroom Faucet</b>	Type	Contact us for more information
<b>Faucet</b>	Type	Contact us for more information
<b>Connection</b>	Size (mm)	DN15
	Size (inches)	G1/2
<b>Handle</b>	Material	Contact us for more information
	Type	Contact us for more information
	No. of Handles	Contact us for more information

FFAS0925-709500BC0

**Easysset**

Easy Dial for Hand Shower

<b>Components</b>	Hand Shower Included	Contact us for more information
	Included	N/A
	Excluded	N/A
<b>Installation</b>	Number of Holes Required	1
<b>Valve</b>	Type	Contact us for more information