

1029091C00

Loven

Loven OP Toilet 305mm TH

STYLE SEGMENT

- Modern

KEY SPECIFICATIONS

- Product Dimensions: 372 x 720 x 705
- Installation Type: Floor Mounted
- Flushing System: Double Vortex
- Flushing Platform: Washdown
- Flushing Type: Dual flush
- Flushing Volume: 3/4.5
- Trapway: S Trap
- Rough In: 305
- Trapway Design: Concealed
- Bowl Shape: Elongated
- Water Pressure, Dynamic (MPa): 0.137
- Water Pressure, Static (MPa): NA
- Material: Vitreous China
- Color Availability: White

**SHIPPING WEIGHT**

- Net Weight: 54
- Gross Weight: 58.09

KEY TECHNOLOGIES AND FEATURES**HYGIENE**

- Complies with American Standard Quality Standards

COMFORT

- Complies with American Standard Quality Standards

CONVENIENCE

- Complies with American Standard Quality Standards

DURABILITY

- Complies with American Standard Quality Standards

SUSTAINABILITY

- Complies with American Standard Quality Standards

SAFETY

- Complies with American Standard Quality Standards

OTHERS

- NIL

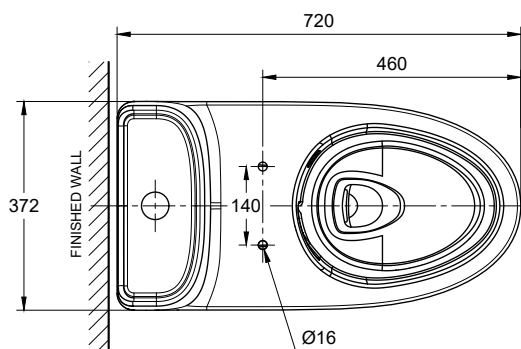
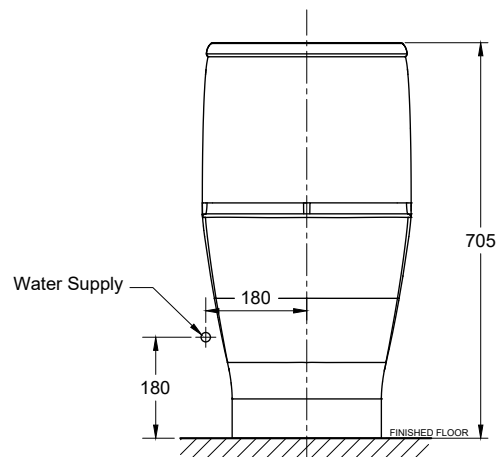
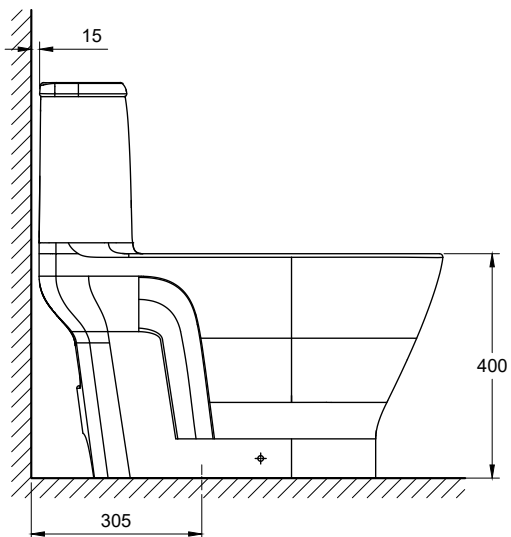
STANDARDS AND CERTIFICATIONS

- TIS 792-2011
- MS 1522:2015
- SNI 03-0797-2006
- PNS 156:2010

1029091C00

Loven

Loven OP Toilet 305mm TH



1029091C00

Loven

Loven OP Toilet 305mm TH

Item	Description	Loven CC Toilet 305mm TH
Dimensions	Product (mm)	372 x 720 x 705
Material & Color	Material	Vitreous China
	Color	White
Bowl	Shape	Elongated
Trapway	Type	S Trap
	Rough-in (mm)	305
	Design	Concealed
Flushing	System	Double Vortex
	Type	Dual flush
	Platform	Washdown
	Volume	3/4.5
Water Pressure	Dynamic (MPa)	0.137
	Static (MPa)	NA
Installation	Type	Floor Mounted

1029091C00

Loven

Loven OP Toilet 305mm TH

Components	Toilet Seat Included	Yes
Shipping	Net Weight (kg)	54
	Gross Weight (kg)	58.09
	Product Weight (kg)	44.9
	Dimensions (mm)	450 x 750 x 730